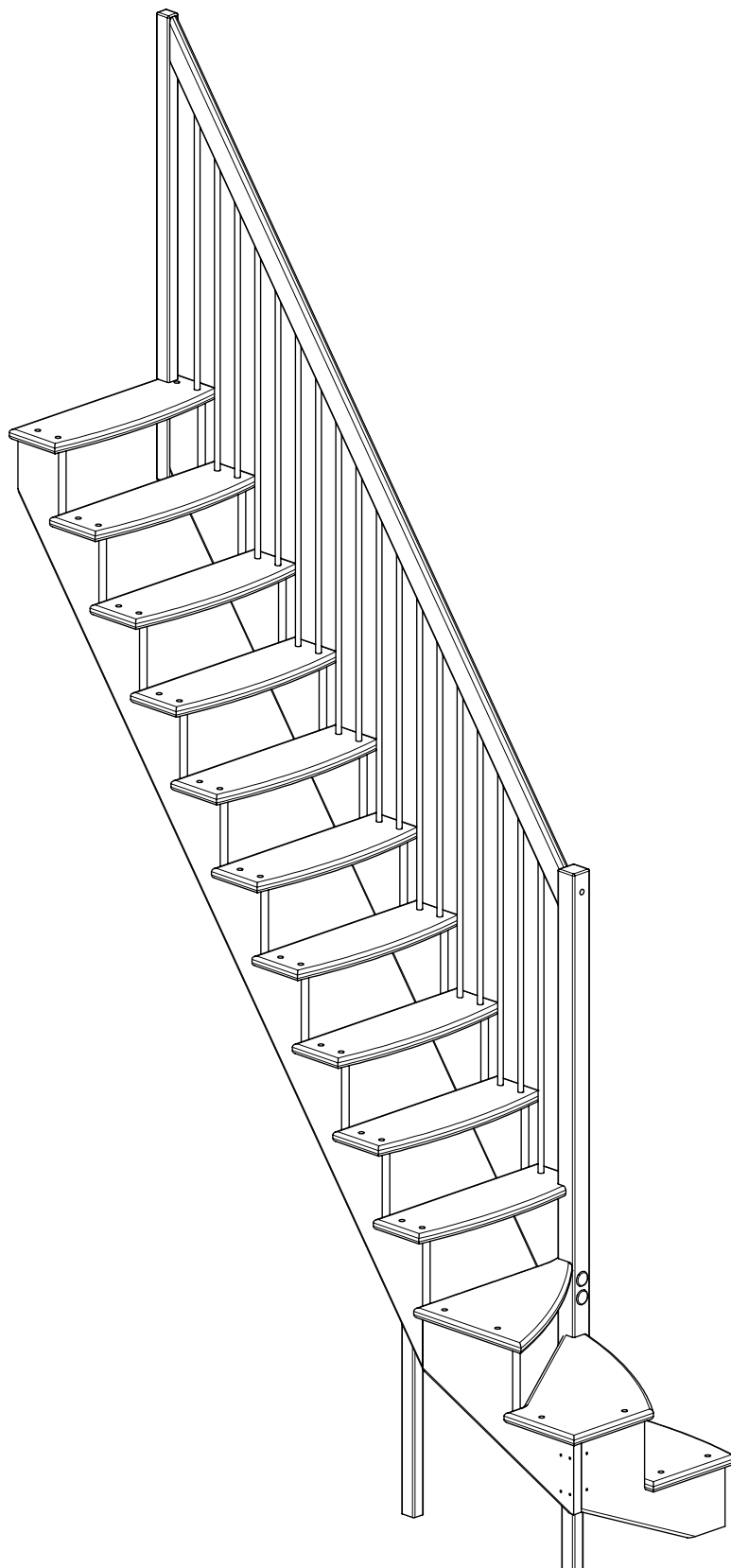
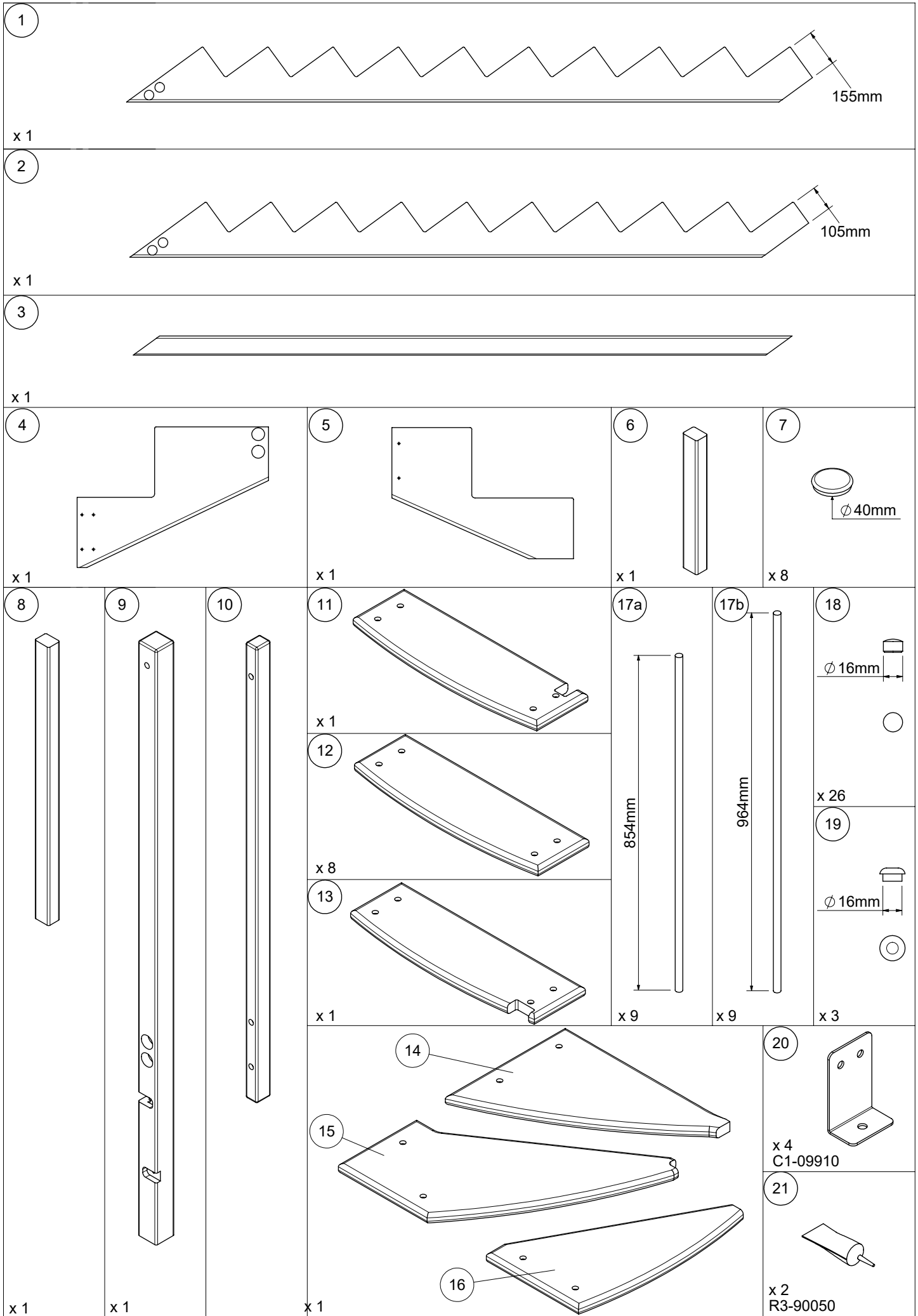
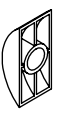





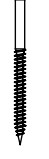

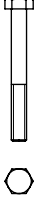








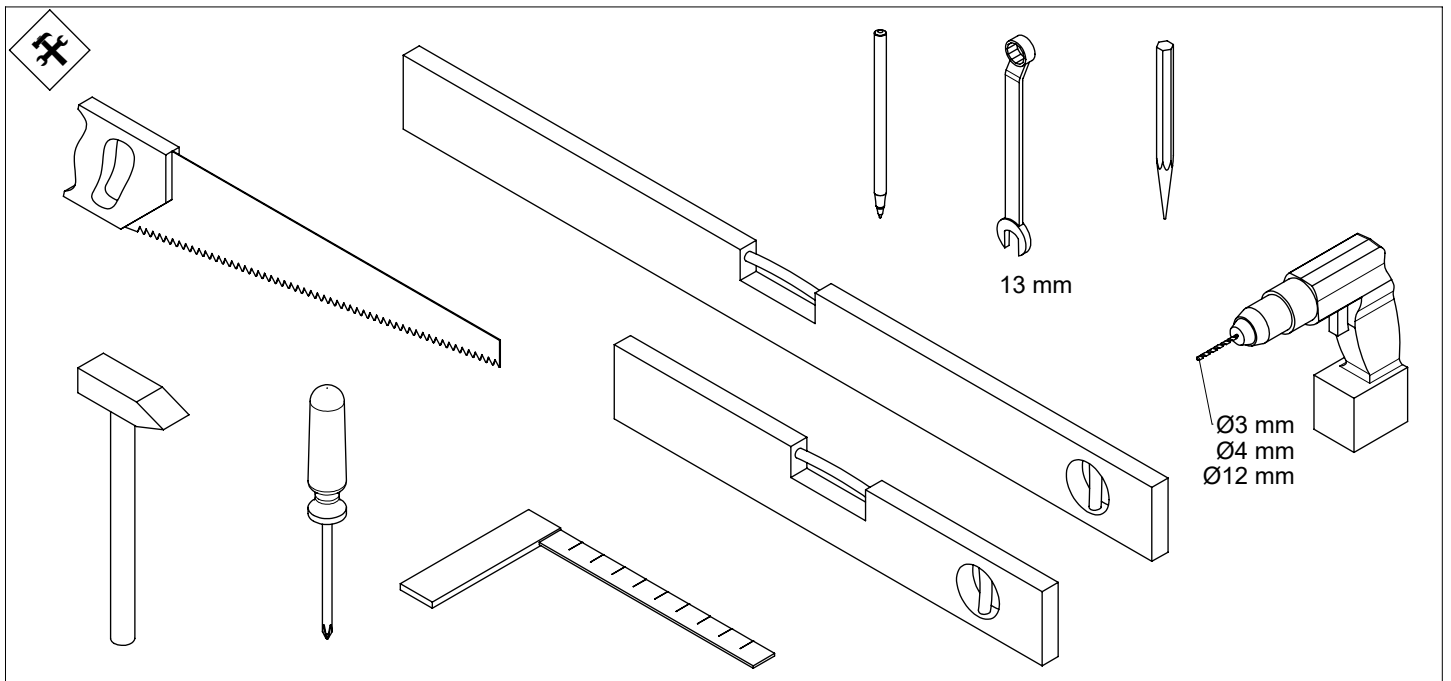
# LYON ¼ turn

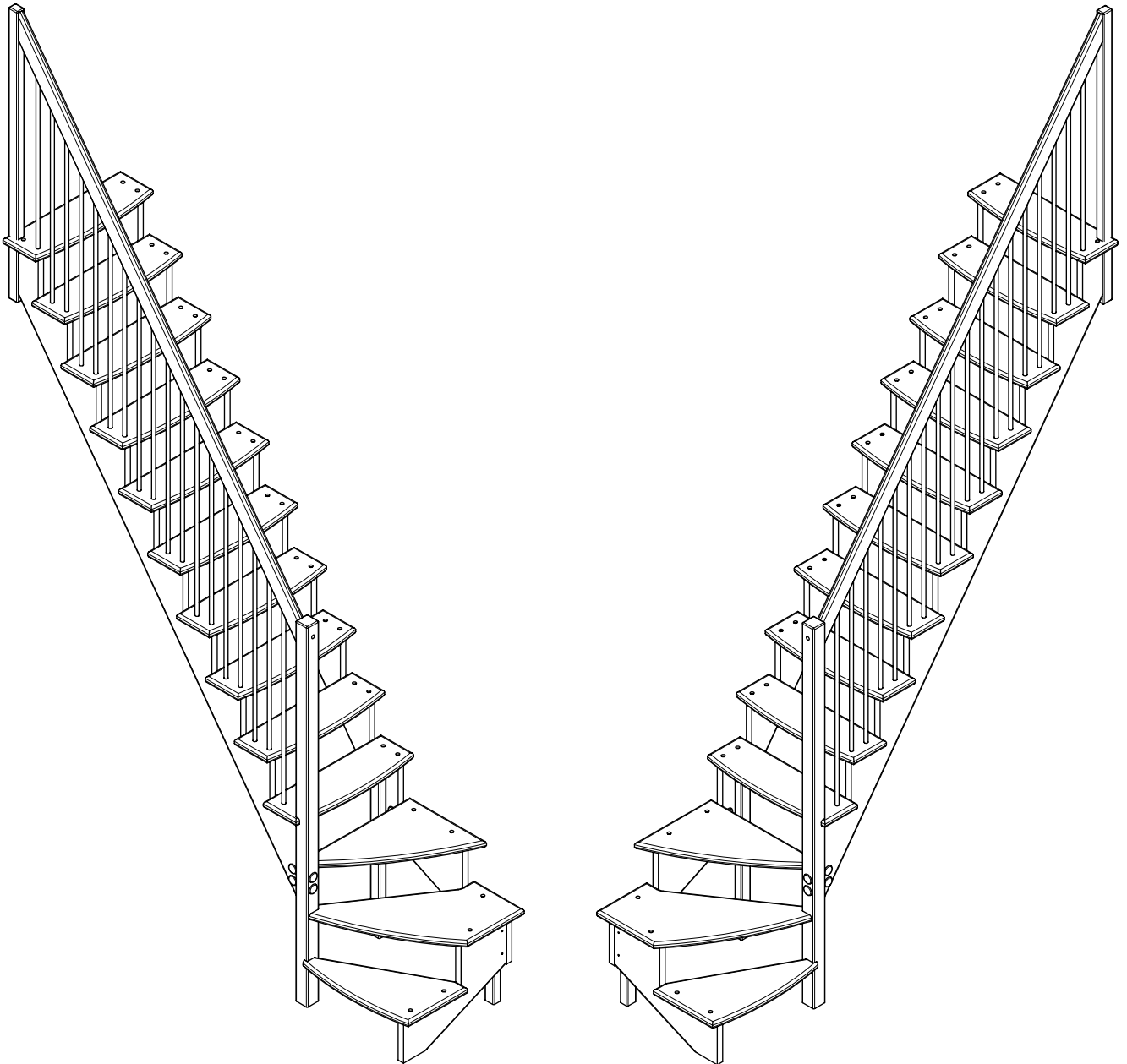
Installation instruction  
Montageanleitung  
Instruction de montage

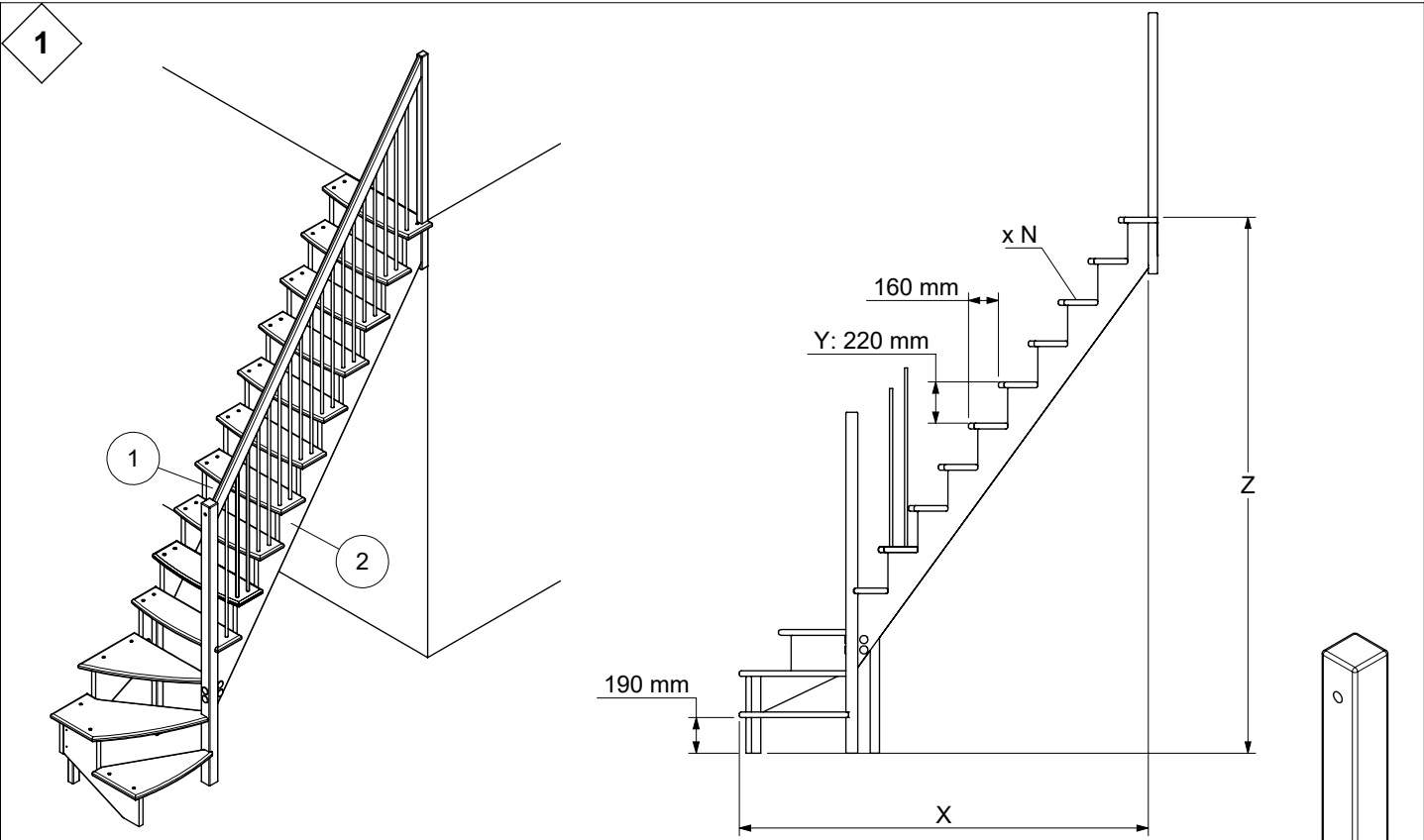




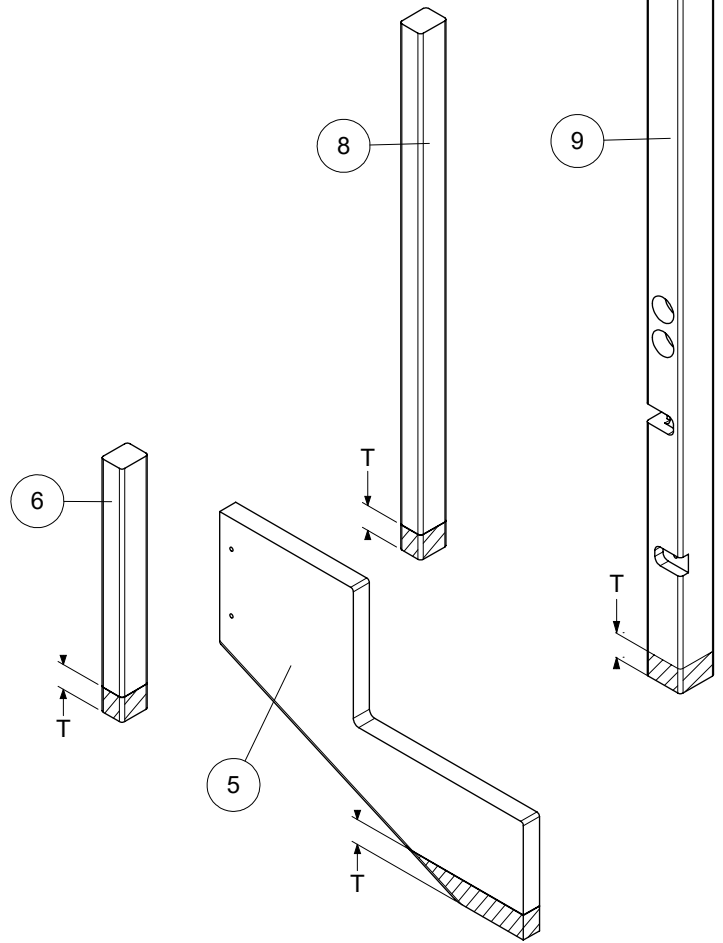
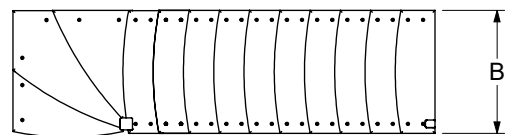
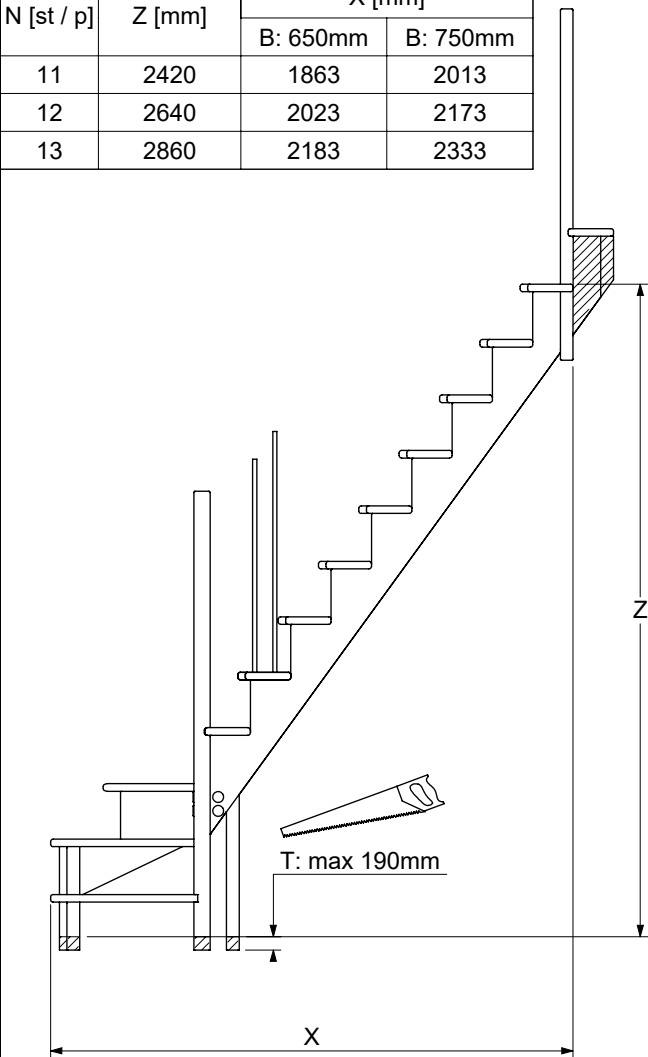
<p>30</p>  <p>x 6 R1-63800</p>	<p>31</p>  <p>x 6 R1-63810 Ø8,4</p>	<p>32</p>  <p>x 6 R1-63818 Ø8,4</p>	<p>33</p>  <p>x 2 R1-63808 M8 x 60</p>	<p>34</p>  <p>x 4 R3-91415 Ø8 x 40</p>	<p>35</p>  <p>x 5 R1-63286 Ø6 x 60</p>
<p>36</p>  <p>x 9 R1-63288 Ø6 x 80</p>	<p>37</p>  <p>x 6 R3-72165 Ø6</p>	<p>38</p>  <p>x 2 R1-63807 M8 x 70</p>	<p>39</p>  <p>x 2 R2-85310 Ø8,4 / Ø24</p>	<p>40</p>  <p>x 4 R3-91060 Ø8 x 60</p>	<p>41</p>  <p>x 8 R3-91360 Ø5 x 25</p>
<p>42</p>  <p>x 4 R3-91290 Ø12 x 60</p>	<p>43</p>  <p>x 46 R3-72110 Ø5 x 50</p>	<p>45</p>  <p>x 1 R1-63813 13mm (M8)</p>			



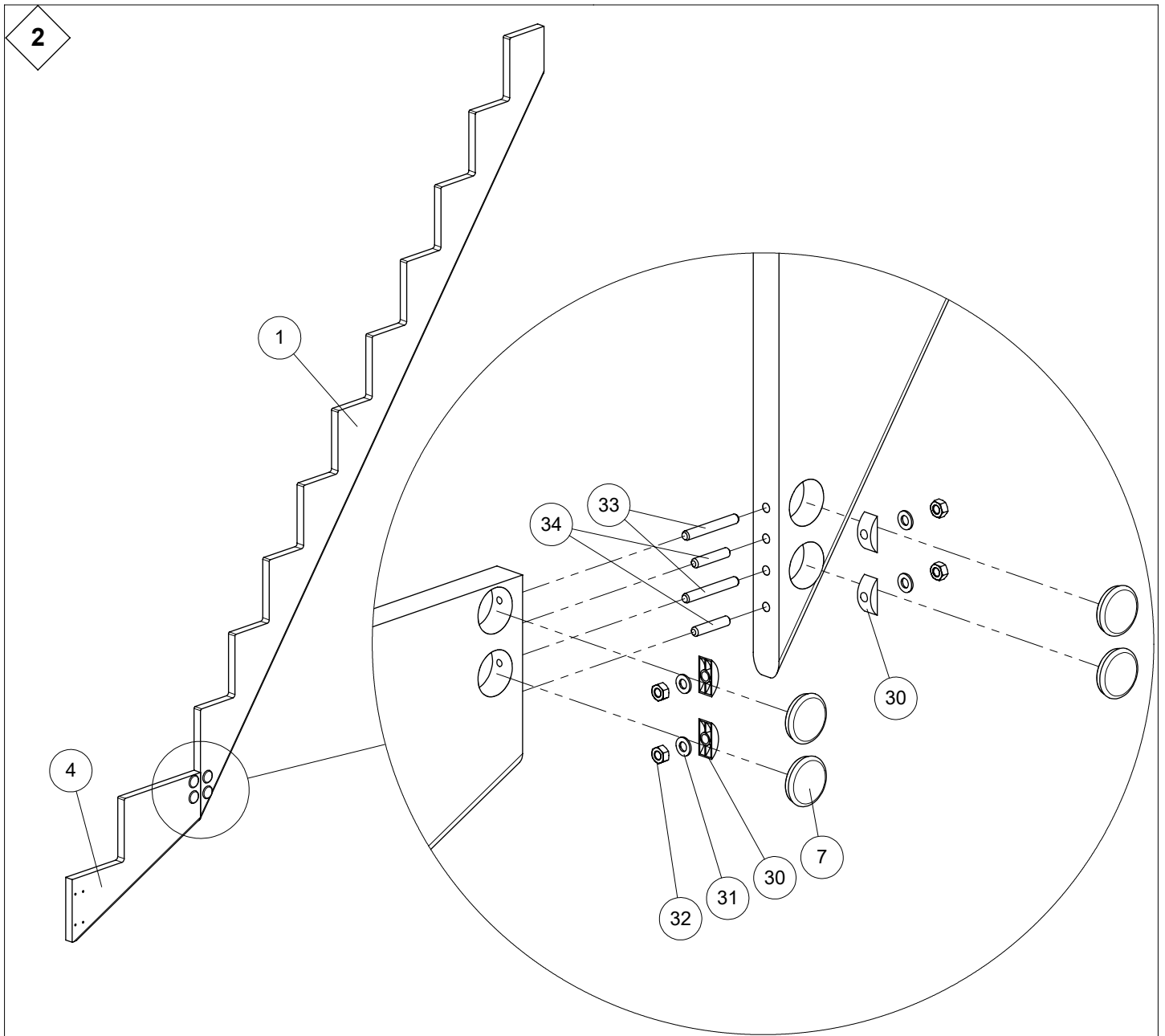




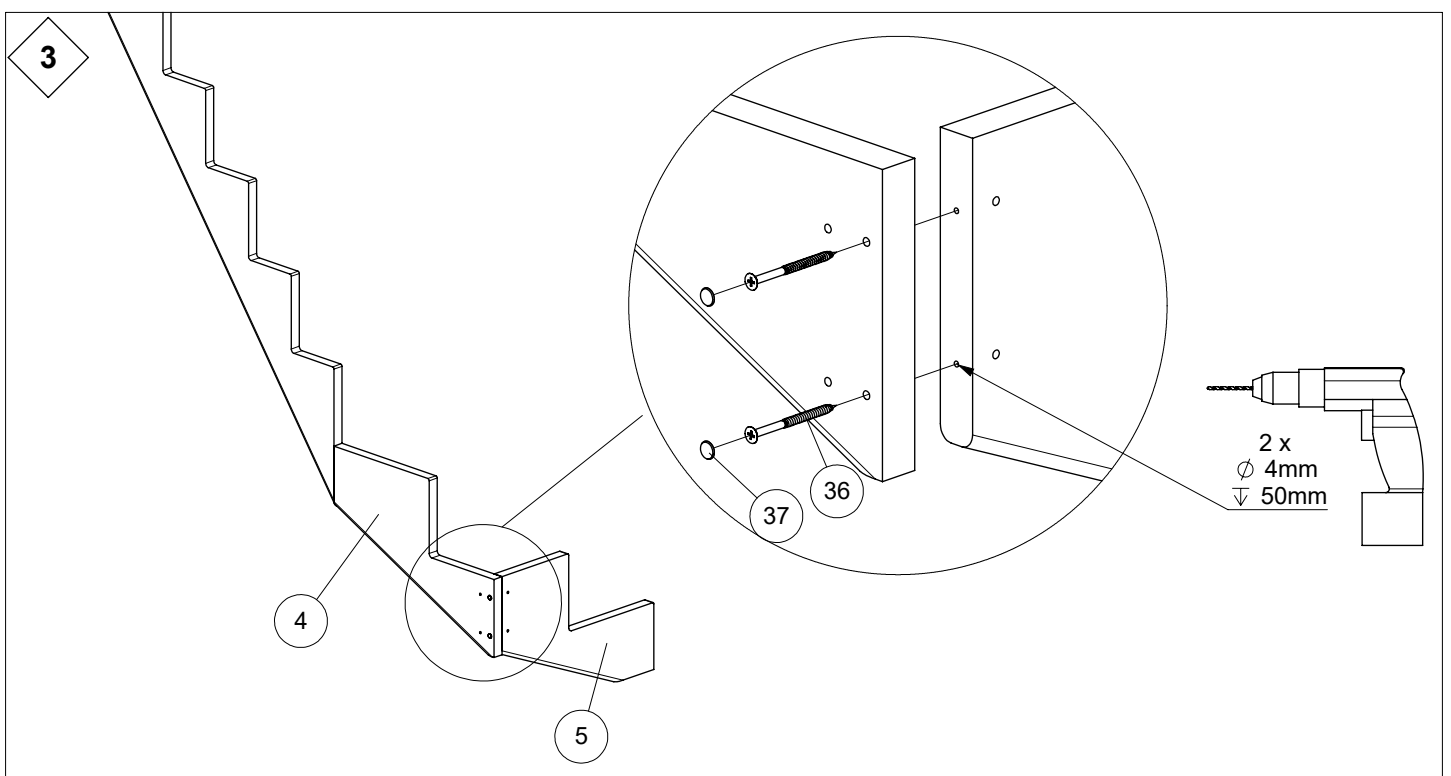
Y: 220 mm			
N [st / p]	Z [mm]	X [mm]	
		B: 650mm	B: 750mm
11	2420	1863	2013
12	2640	2023	2173
13	2860	2183	2333

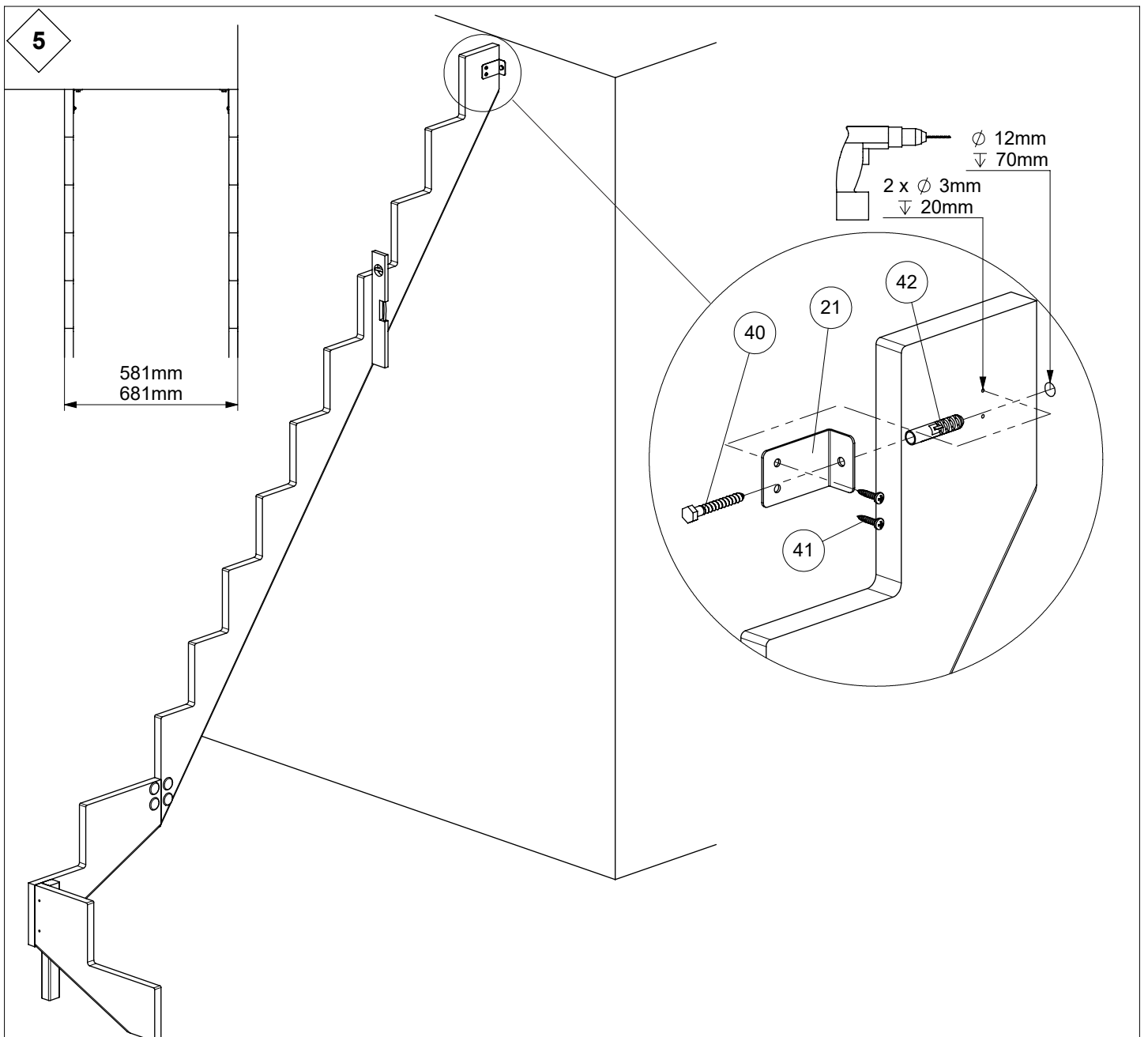
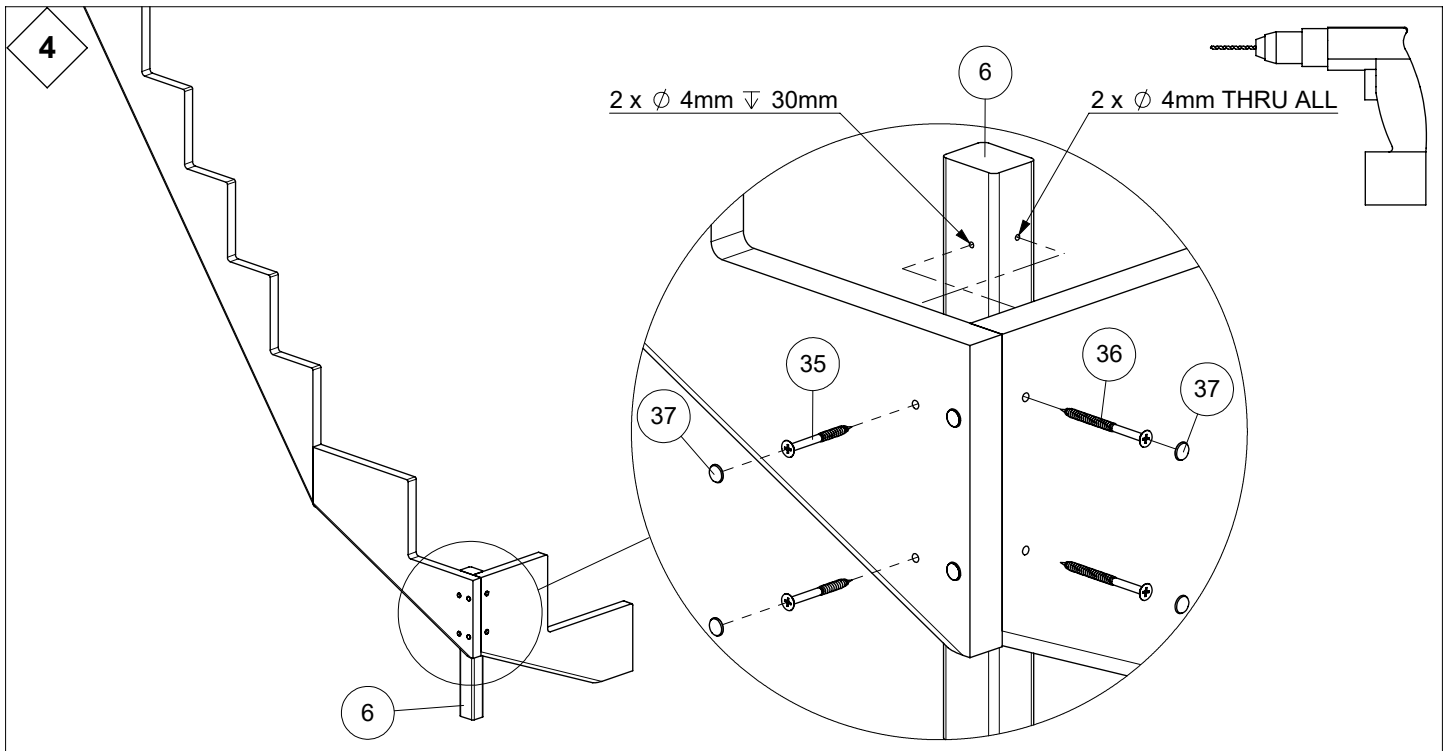


2

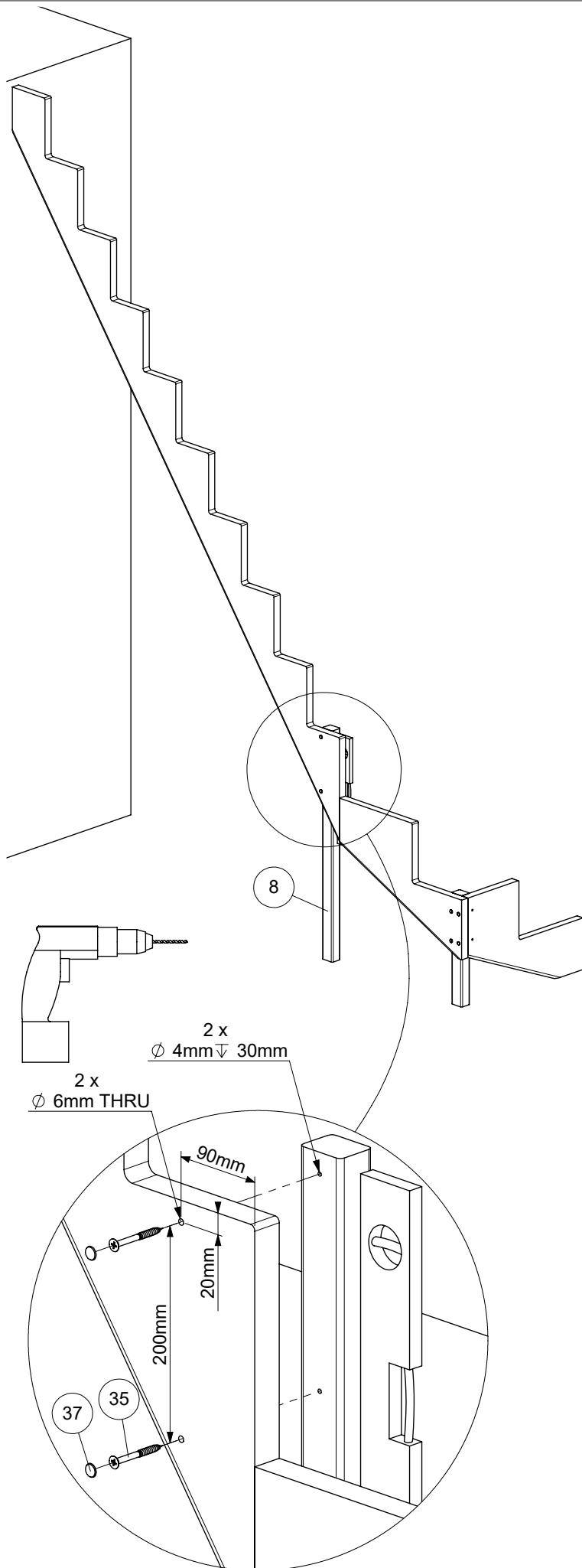


3





6

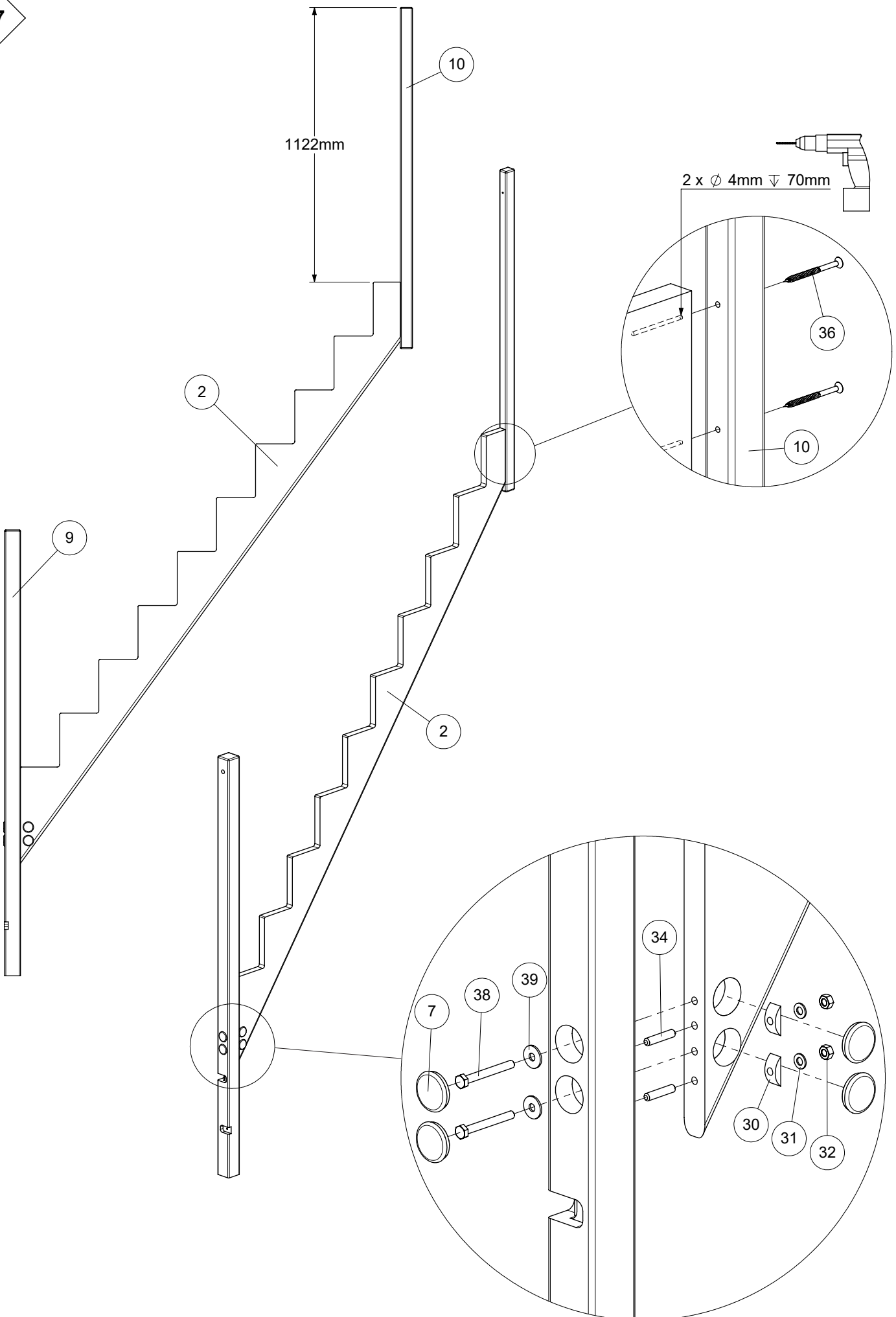




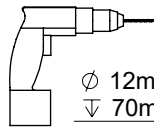
7

1122mm

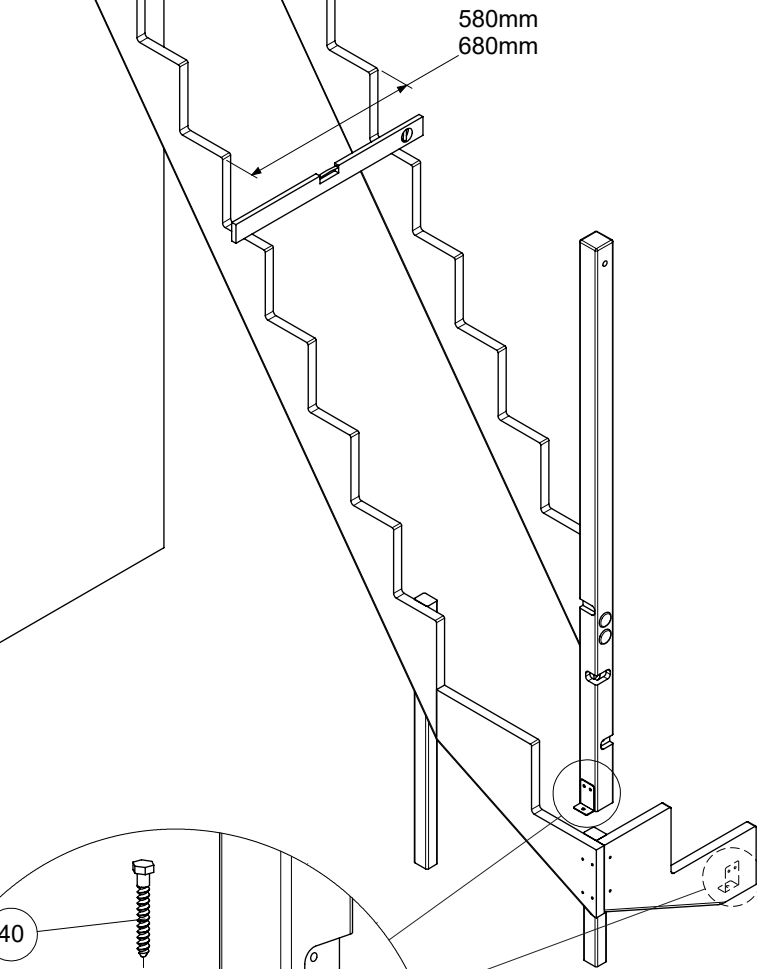
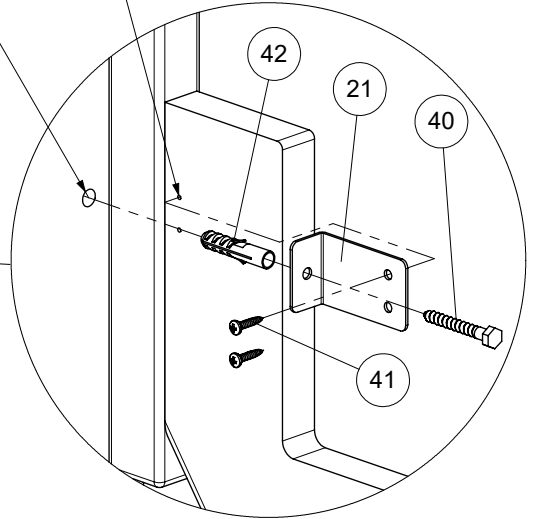
2 x Ø 4mm ∇ 70mm



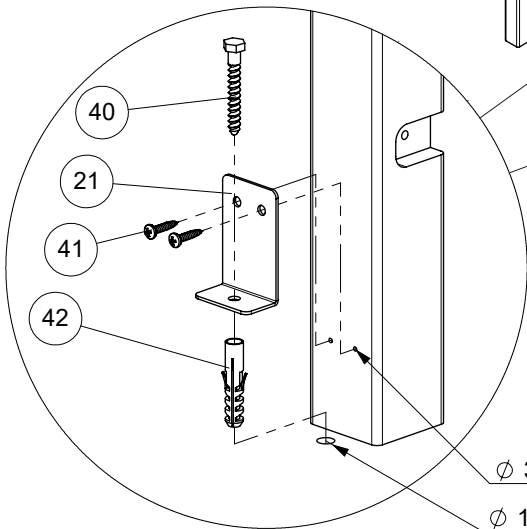
8



$\varnothing$  12mm  $\nabla$  70mm    2 x  $\varnothing$  3mm  $\nabla$  20mm



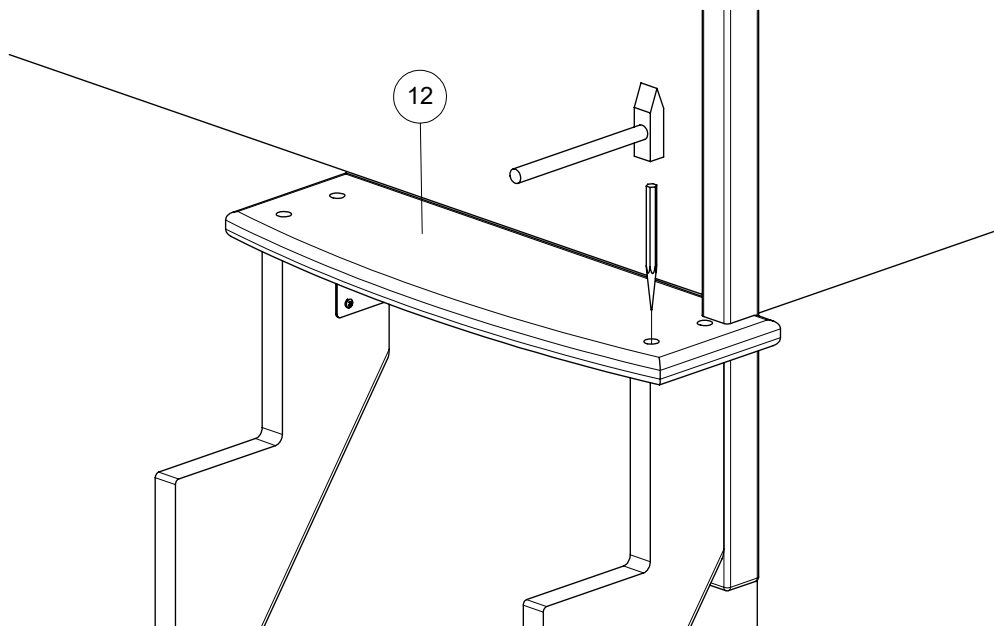
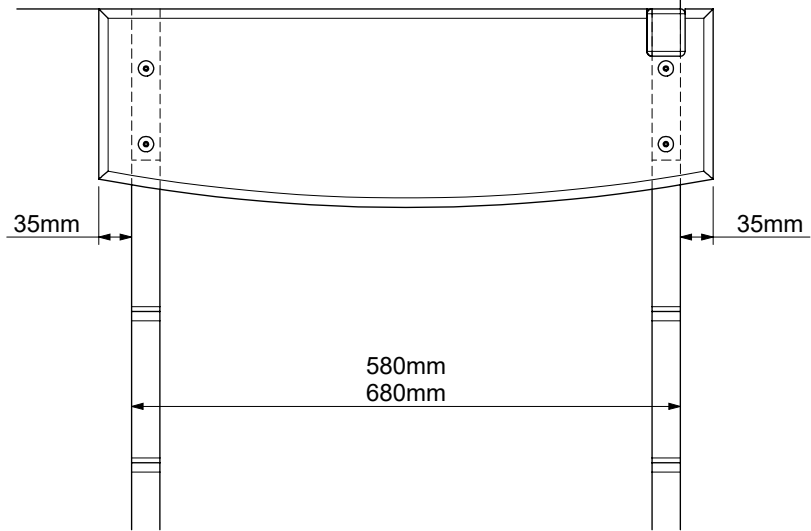
580mm  
680mm



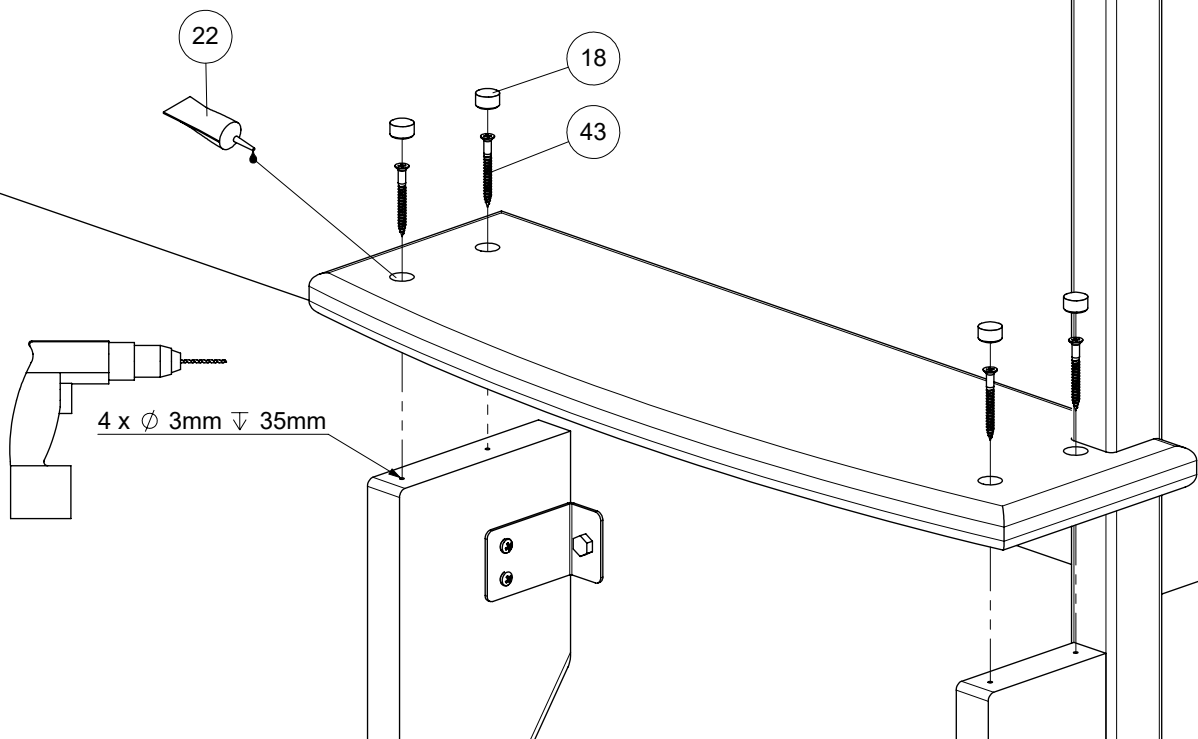
2 x  
 $\varnothing$  3mm  $\nabla$  20mm  
 $\varnothing$  12mm  $\nabla$  70mm



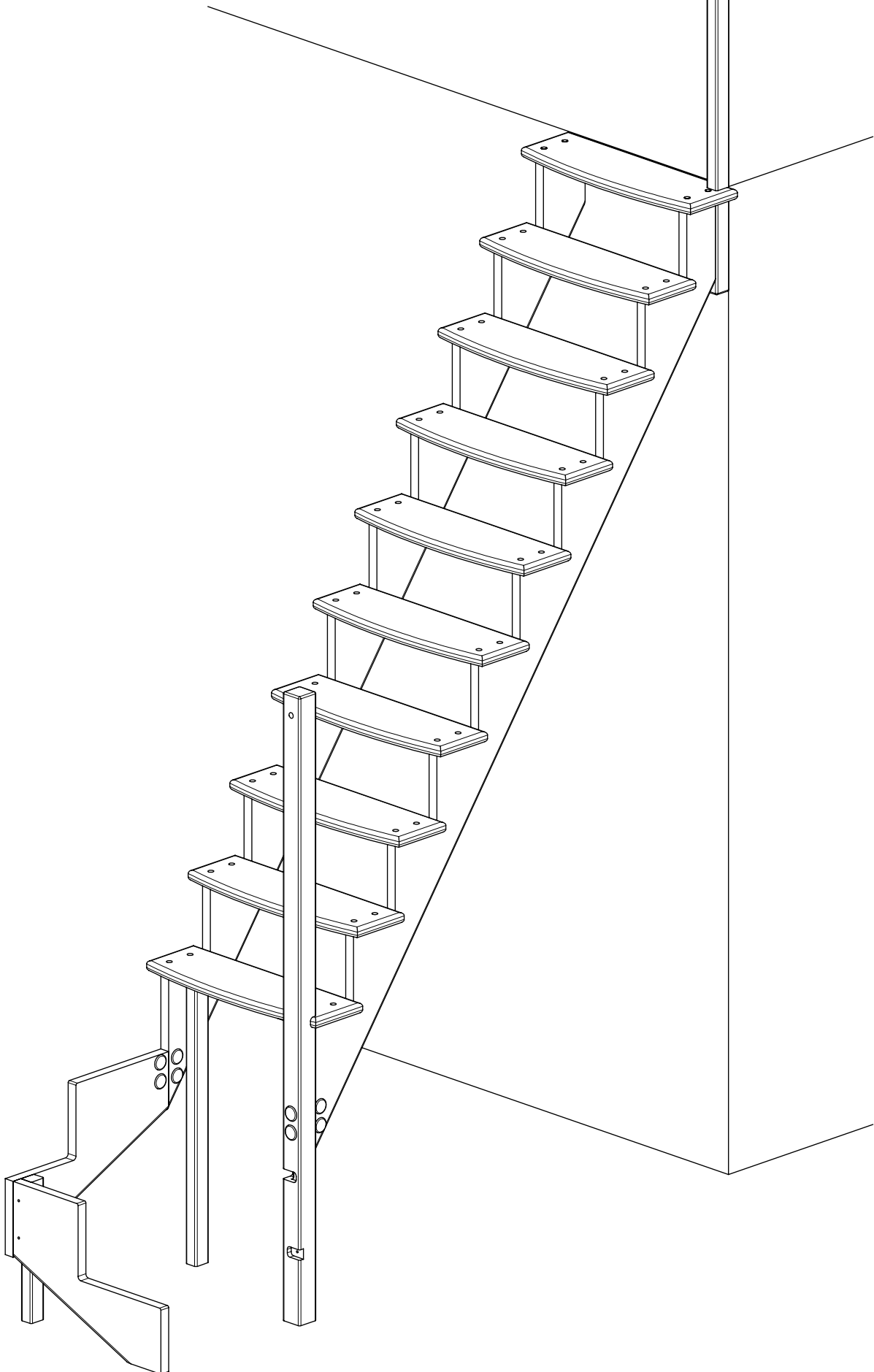
9

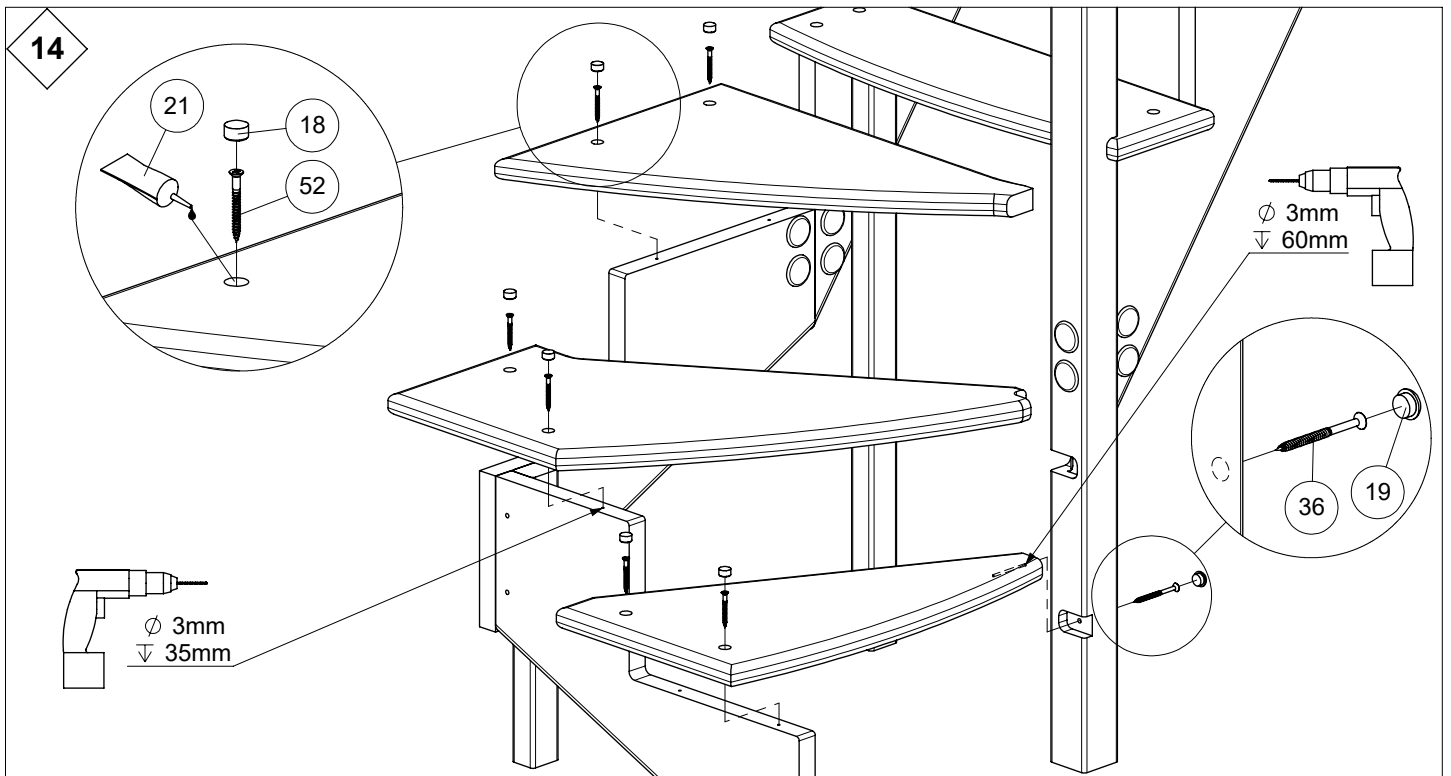
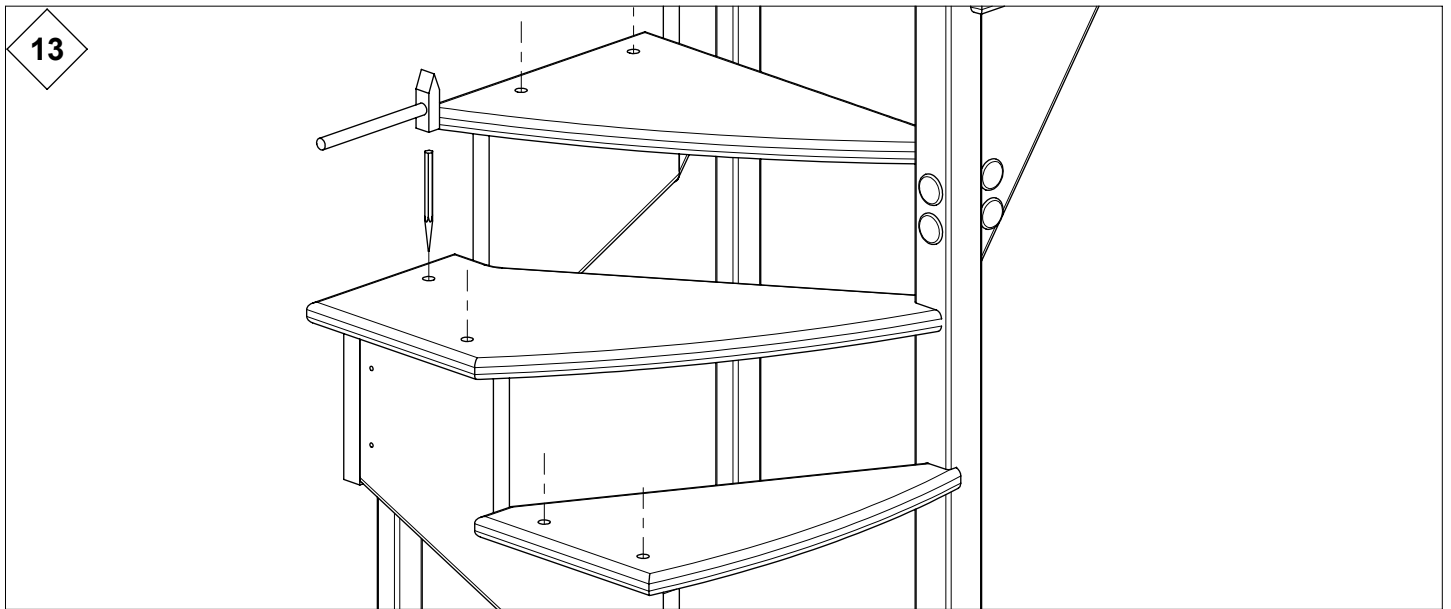
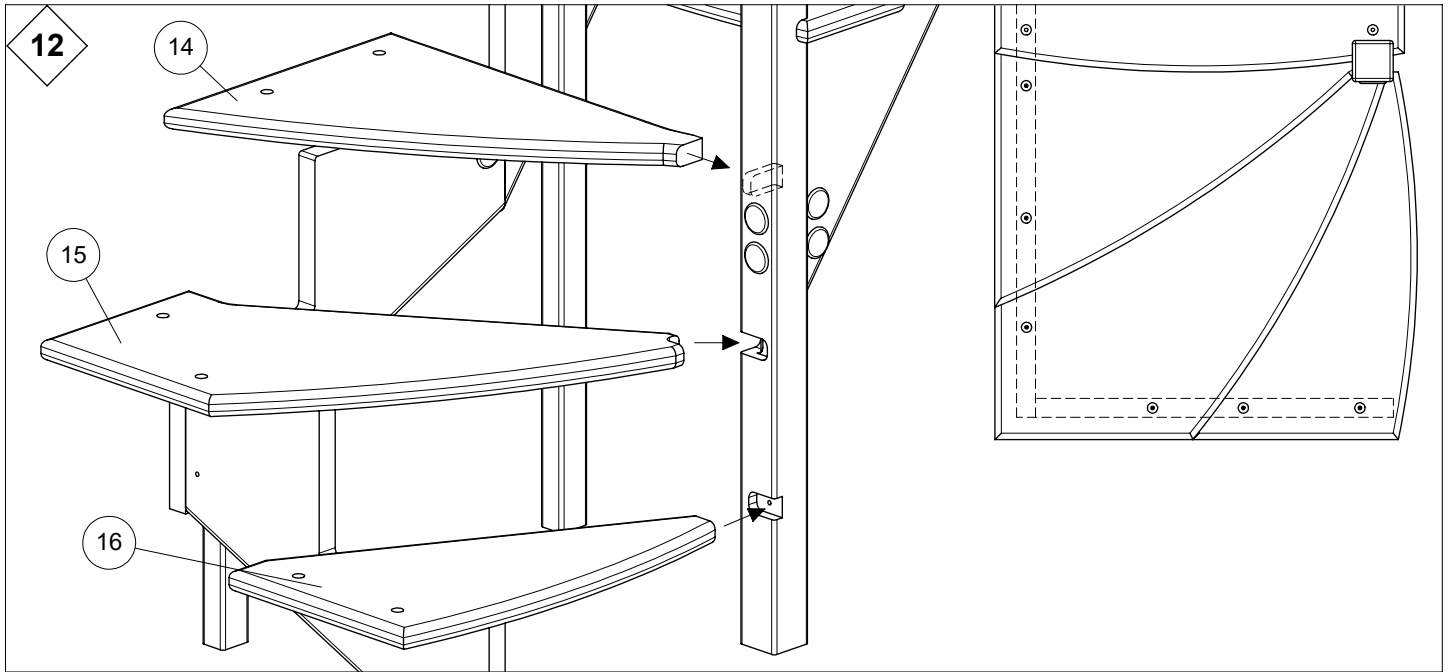


10



11





15

Ø 4mm  
▽ 40mm

