

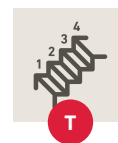
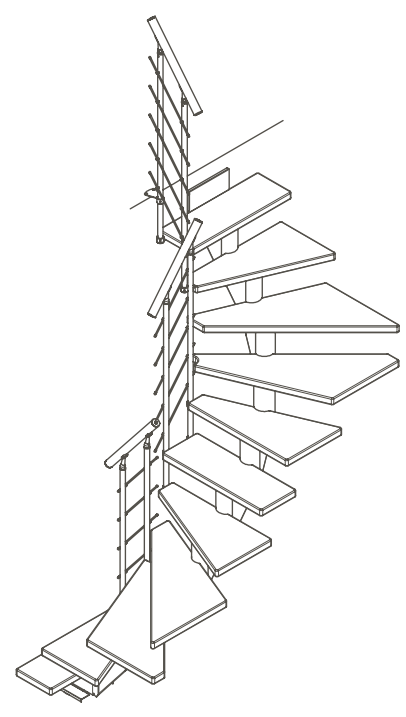
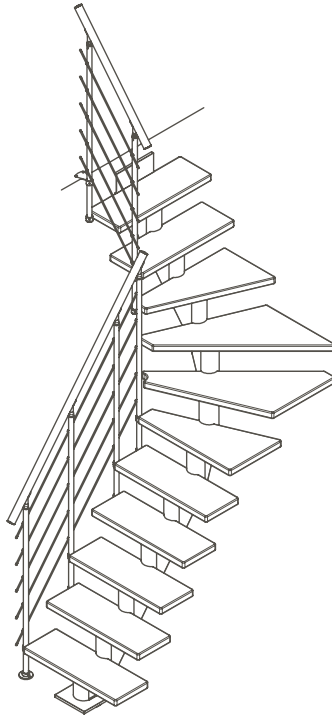
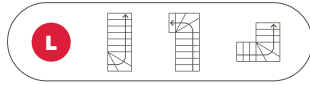
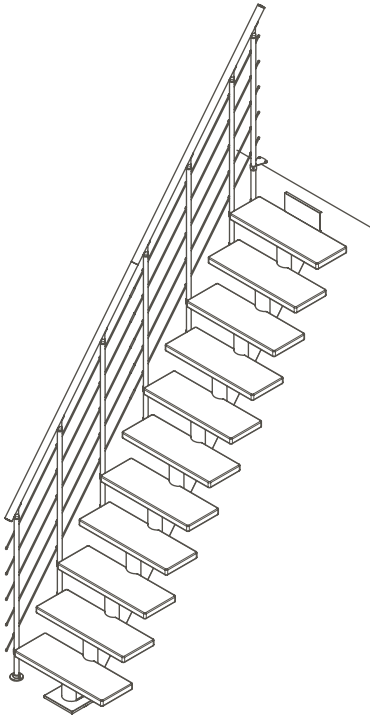
STYLE 6 BANISTER

FRANKFURT

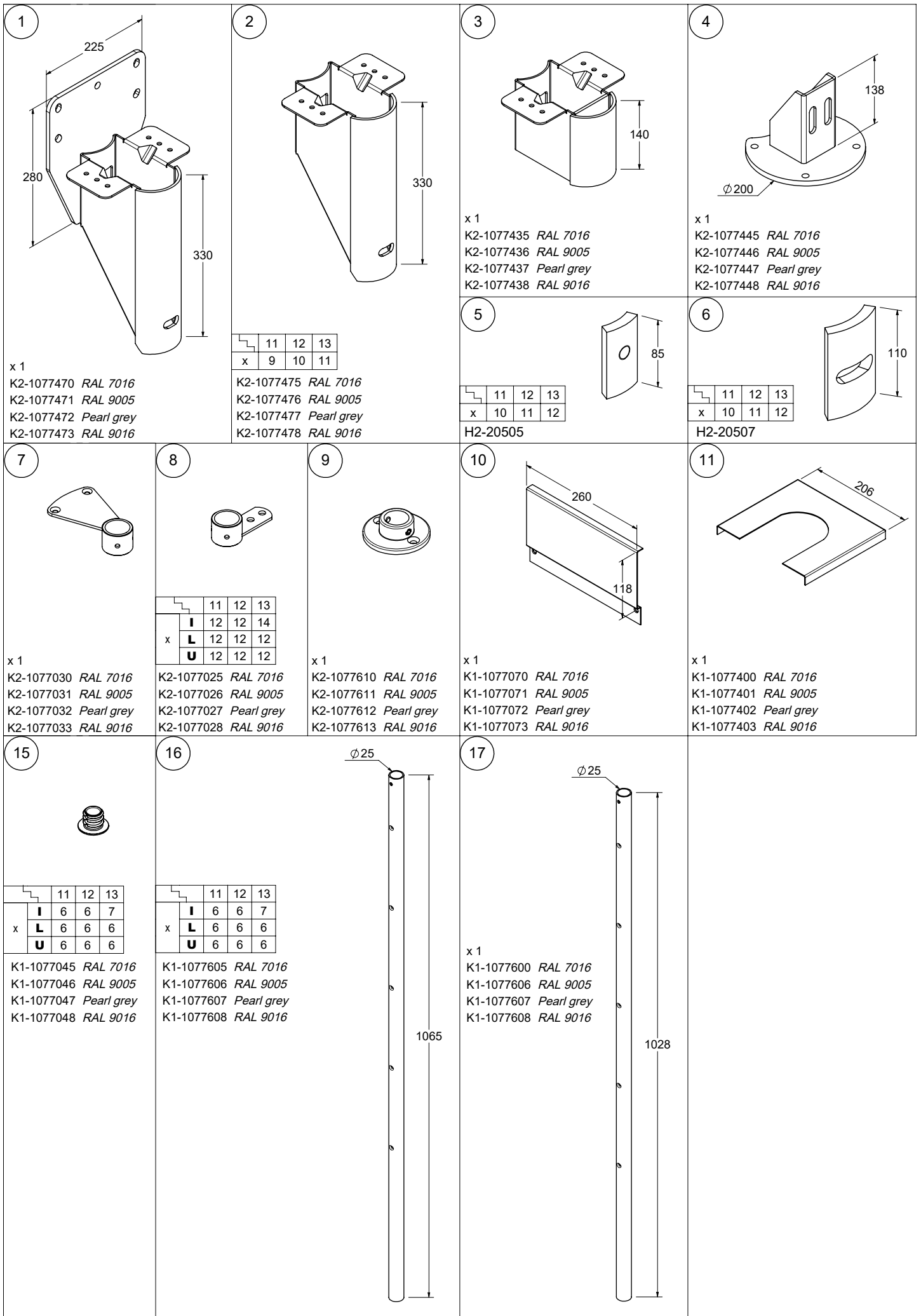
**INSTRUCTION / MONTAGEANLEITUNG
INSTRUKTION / INSTRUCCION / INSTRUKCJA**

SOGEM[®]

PART OF DOLLE GROUP



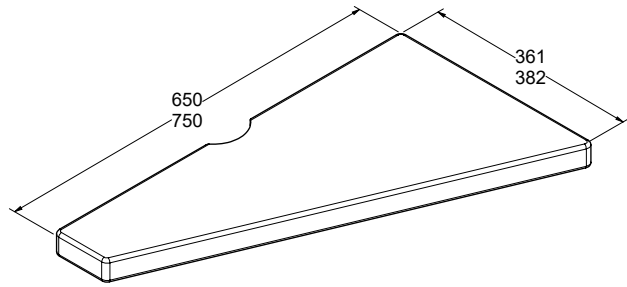
	Height floor-to-floor	Rise height	Number of treads
	Geschosshöhe	Steigungshöhe	Anzahl Stufen
	Hauteur sol-sol	Hauteur de marche	Nombre de marches
	Altura de suelo/suelo	Altura de peldaños	Numero de peldaños
	Altura do chão / chão	Altura do degrau	Número de etapas (degraus)
	Hoogte vloer/vloer	Hoogte trede	Aantal treden
	Etagehøjde	Stigningshøjde	Antal trin
	Golv till golv höjd	Stigningshöjd	Antal steg
	Wysokość kondygnacji od podłogi do podłogi	Wysokość stopnia	Ilość stopni
	Înălțime sol-sol	Înălțime treaptă	Număr trepte
	Výška patra podlaha-podlaha	Výška schodu	Počet nášlapů
	Высота от пола до пола	Шаг ступени	Кол-во ступеней
	Aukšto aukštis	Pakopos aukštis	Pakopų kiekis
	Stáva augstums	Pakāpiena augstums	Pakāpienu skaits
	Korruse kõrgus	Astme kõrgus	Astmete arv
	Višina nadstropja	Višina stopnice	Število stopnic
	Visina kata	Visina stepenice	Broj stepenica
	Výška podlažia	Výška stupňa	Počet stupňov



25

x	I	0
	L	1
	U	2

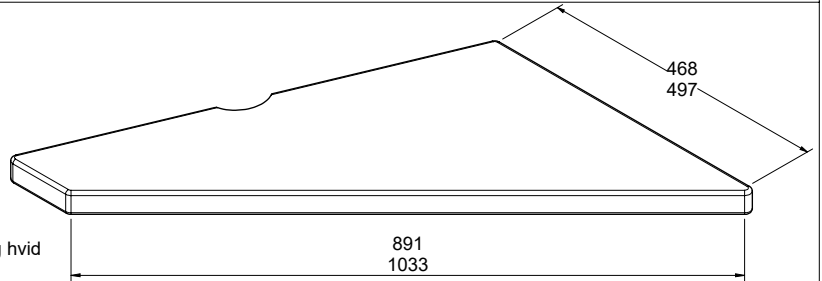
M2-1078309 650 mm Beech / Buche / Beuk / Hêtre / Bøg
M2-1078319 650 mm Oak / Eiche / Eik / Chêne / Eg
M2-1078329 650 mm Oak white / Eiche weiß / Eik wit / Chêne blanc / Eg hvid
M2-1078359 750 mm Beech / Buche / Beuk / Hêtre / Bøg
M2-1078369 750 mm Oak / Eiche / Eik / Chêne / Eg
M2-1078379 750 mm Oak white / Eiche weiß / Eik wit / Chêne blanc / Eg hvid



24

x	I	0
	L	1
	U	2

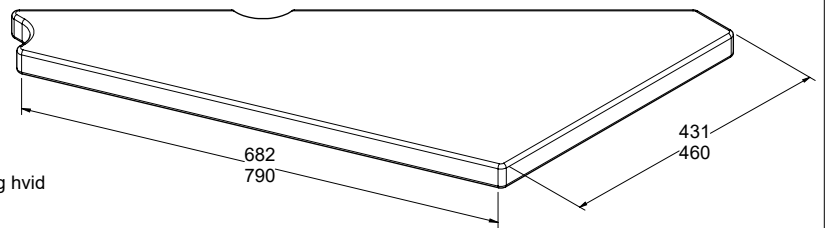
M2-1078308 650 mm Beech / Buche / Beuk / Hêtre / Bøg
M2-1078318 650 mm Oak / Eiche / Eik / Chêne / Eg
M2-1078328 650 mm Oak white / Eiche weiß / Eik wit / Chêne blanc / Eg hvid
M2-1078358 750 mm Beech / Buche / Beuk / Hêtre / Bøg
M2-1078368 750 mm Oak / Eiche / Eik wit / Chêne / Eg
M2-1078378 750 mm Oak white / Eiche weiß / Eik wit / Chêne blanc / Eg hvid



23

x	I	0
	L	1
	U	2

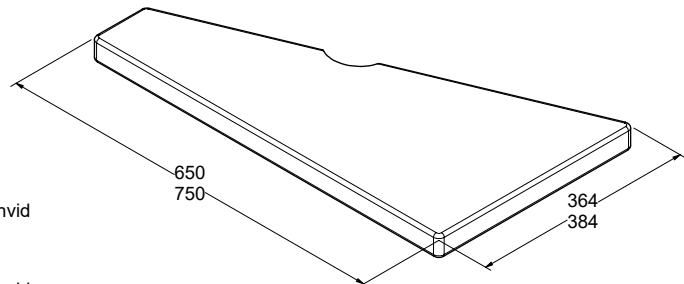
M2-1078307 650 mm Beech / Buche / Beuk / Hêtre / Bøg
M2-1078317 650 mm Oak / Eiche / Eik / Chêne / Eg
M2-1078327 650 mm Oak white / Eiche weiß / Eik wit / Chêne blanc / Eg hvid
M2-1078357 750 mm Beech / Buche / Beuk / Hêtre / Bøg
M2-1078367 750 mm Oak / Eiche / Eik / Chêne / Eg
M2-1078377 750 mm Oak white / Eiche weiß / Eik wit / Chêne blanc / Eg hvid



22

x	I	0
	L	1
	U	2

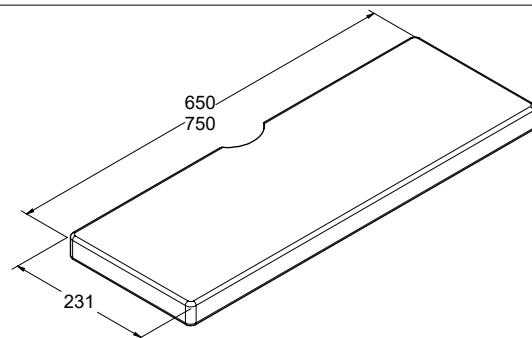
M2-1078306 650 mm Beech / Buche / Beuk / Hêtre / Bøg
M2-1078316 650 mm Oak / Eiche / Eik / Chêne / Eg
M2-1078326 650 mm Oak white / Eiche weiß / Eik wit / Chêne blanc / Eg hvid
M2-1078356 750 mm Beech / Buche / Beuk / Hêtre / Bøg
M2-1078366 750 mm Oak / Eiche / Eik / Chêne / Eg
M2-1078376 750 mm Oak white / Eiche weiß / Eik wit / Chêne blanc / Eg hvid



21

x		11	12	13
	I	10	11	12
	L	6	7	8
	U	2	3	4

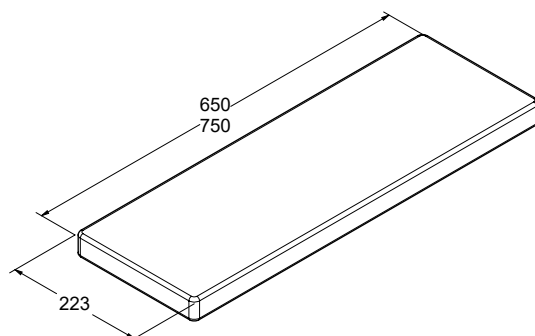
M2-1078301 650 mm Beech / Buche / Beuk / Hêtre / Bøg
M2-1078311 650 mm Oak / Eiche / Eik / Chêne / Eg
M2-1078321 650 mm Oak white / Eiche weiß / Eik wit / Chêne blanc / Eg hvid
M2-1078351 750 mm Beech / Buche / Beuk / Hêtre / Bøg
M2-1078361 750 mm Oak / Eiche / Eik / Chêne / Eg
M2-1078371 750 mm Oak white / Eiche weiß / Eik wit / Chêne blanc / Eg hvid


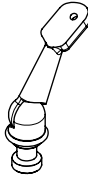



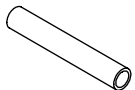

20

x	I	1
	L	1
	U	1

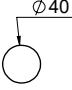
M2-1078300 650 mm Beech / Buche / Beuk / Hêtre / Bøg
M2-1078310 650 mm Oak / Eiche / Eik / Chêne / Eg
M2-1078320 650 mm Oak white / Eiche weiß / Eik wit / Chêne blanc / Eg hvid
M2-1078350 750 mm Beech / Buche / Beuk / Hêtre / Bøg
M2-1078360 750 mm Oak / Eiche / Eik / Chêne / Eg
M2-1078370 750 mm Oak white / Eiche weiß / Eik wit / Chêne blanc / Eg hvid



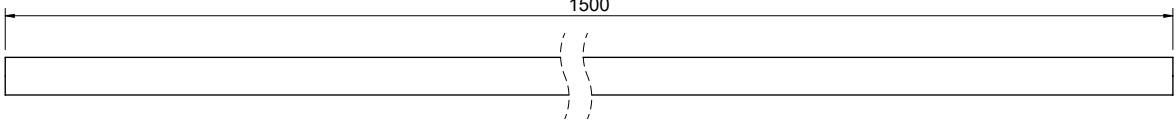
<p>27</p>  <p>x 6 K1-1077150 <i>RAL 7016</i> K1-1077151 <i>RAL 9005</i> K1-1077152 <i>Pearl grey</i> K1-1077153 <i>RAL 9016</i></p>	<p>28</p> <table border="1" style="display: inline-table; border-collapse: collapse;"> <tr><td></td><td>11</td><td>12</td><td>13</td></tr> <tr><td>I</td><td>7</td><td>7</td><td>8</td></tr> <tr><td>L</td><td>7</td><td>7</td><td>7</td></tr> <tr><td>U</td><td>7</td><td>7</td><td>7</td></tr> </table>  <p>K2-1077195 <i>RAL 7016</i> K2-1077196 <i>RAL 9005</i> K2-1077197 <i>Pearl grey</i> K2-1077198 <i>RAL 9016</i></p>		11	12	13	I	7	7	8	L	7	7	7	U	7	7	7	<p>29</p> <table border="1" style="display: inline-table; border-collapse: collapse;"> <tr><td></td><td>11</td><td>12</td><td>13</td></tr> <tr><td>I</td><td>35</td><td>35</td><td>40</td></tr> <tr><td>L</td><td>35</td><td>35</td><td>35</td></tr> <tr><td>U</td><td>35</td><td>35</td><td>35</td></tr> </table>  <p>K1-1077202</p>		11	12	13	I	35	35	40	L	35	35	35	U	35	35	35
	11	12	13																															
I	7	7	8																															
L	7	7	7																															
U	7	7	7																															
	11	12	13																															
I	35	35	40																															
L	35	35	35																															
U	35	35	35																															

<p>30</p>  <p>x 10 K1-14939</p>	<p>31</p>  <p>x 30 K1-04050</p>
---	---

32



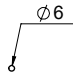
Ø40



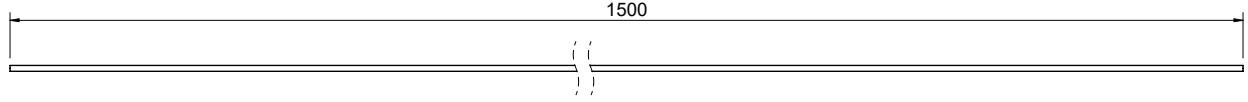
1500

	11	12	13		
x	I	3	3	3	M2-1078905 Beech / Buche / Beuk / Hêter / Bøg
	L	2	2	2	M2-1078915 Oak / Eiche / Eik / Chêne / Eg
	U	2	2	2	M2-1078917 Oak white / Eiche weiß / Eik wit / Chêne blanc / Eg hvid

33

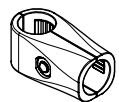
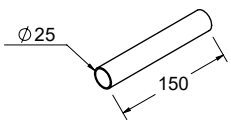
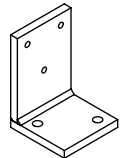


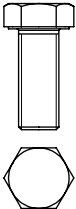
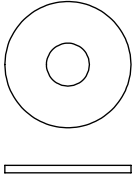


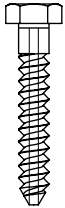
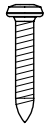
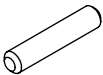


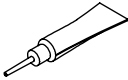
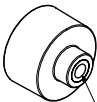












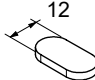

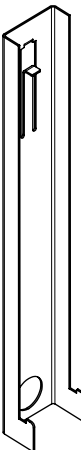
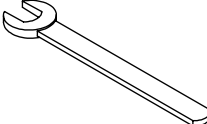
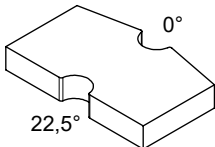
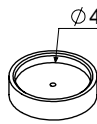
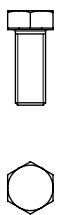

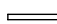

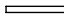
Ø6



1500

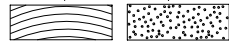
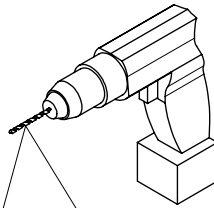
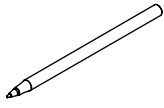
x 15
K1-14077

<p>34</p>  <p>x 4 K2-1077170 <i>RAL 7016</i> K2-1077171 <i>RAL 9005</i> K2-1077172 <i>Pearl grey</i> K2-1077173 <i>RAL 9016</i></p>	<p>35</p>  <p>Ø25 150</p> <p>x 2 K1-1077165 <i>RAL 7016</i> K1-1077166 <i>RAL 9005</i> K1-1077167 <i>Pearl grey</i> K1-1077168 <i>RAL 9016</i></p>	<p>36</p>  <p>x 4 K1-1077295 <i>RAL 7016</i> K1-1077296 <i>RAL 9005</i> K1-1077297 <i>Pearl grey</i> K1-1077298 <i>RAL 9016</i></p>
---	---	---

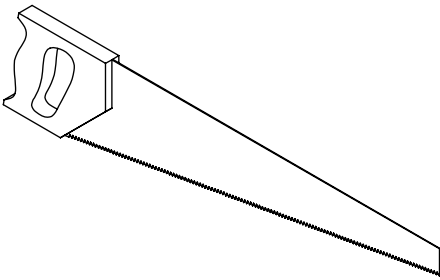
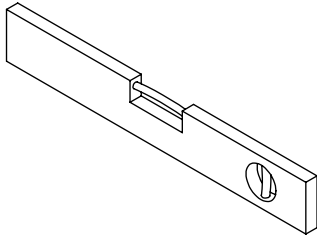
<p>37</p>  <table border="1" data-bbox="76 185 245 241"> <tr><td></td><td>11</td><td>12</td><td>13</td></tr> <tr><td>x</td><td>11</td><td>12</td><td>13</td></tr> </table> <p>R1-63500 M16 x 40</p>		11	12	13	x	11	12	13	<p>38</p>  <table border="1" data-bbox="438 185 608 241"> <tr><td></td><td>11</td><td>12</td><td>13</td></tr> <tr><td>x</td><td>10</td><td>11</td><td>12</td></tr> </table> <p>K3-04053 Ø50 / Ø17</p>		11	12	13	x	10	11	12	<p>40</p>  <p>x 17 K3-08001 Ø12 x 60</p>																	
	11	12	13																																
x	11	12	13																																
	11	12	13																																
x	10	11	12																																
<p>41</p>  <p>x 17 K3-04001 Ø10</p>	<p>42</p>  <p>x 17 K3-06003 Ø10 x 60</p>	<p>44</p>  <table border="1" data-bbox="799 416 968 472"> <tr><td></td><td>11</td><td>12</td><td>13</td></tr> <tr><td>x</td><td>78</td><td>84</td><td>90</td></tr> </table> <p>R1-63267 Ø6 x 35 TX30</p> <p>45</p> <table border="1" data-bbox="1158 371 1347 472"> <tr><td></td><td>11</td><td>12</td><td>13</td></tr> <tr><td>I</td><td>7</td><td>7</td><td>8</td></tr> <tr><td>L</td><td>7</td><td>7</td><td>7</td></tr> <tr><td>U</td><td>7</td><td>7</td><td>7</td></tr> </table> <p>x K3-05002 M6 x 8</p>		11	12	13	x	78	84	90		11	12	13	I	7	7	8	L	7	7	7	U	7	7	7									
	11	12	13																																
x	78	84	90																																
	11	12	13																																
I	7	7	8																																
L	7	7	7																																
U	7	7	7																																
<p>47</p>  <p>x 10 R3-91415 Ø8 x 40</p>	<p>48</p> <table border="1" data-bbox="320 595 505 696"> <tr><td></td><td>11</td><td>12</td><td>13</td></tr> <tr><td>I</td><td>7</td><td>7</td><td>8</td></tr> <tr><td>L</td><td>7</td><td>7</td><td>7</td></tr> <tr><td>U</td><td>7</td><td>7</td><td>7</td></tr> </table> <p>x K3-06008 Ø5 x 25</p>  		11	12	13	I	7	7	8	L	7	7	7	U	7	7	7	<p>49</p>  <p>x 1 K3-90001</p> <p>50</p>  <p>x 1 K1-01810</p>	<p>51</p>  <p>x 2 K3-06022 Ø5 x 35 TX25</p> 																
	11	12	13																																
I	7	7	8																																
L	7	7	7																																
U	7	7	7																																
<p>52</p> <table border="1" data-bbox="76 831 264 931"> <tr><td></td><td>11</td><td>12</td><td>13</td></tr> <tr><td>I</td><td>24</td><td>24</td><td>28</td></tr> <tr><td>L</td><td>24</td><td>24</td><td>24</td></tr> <tr><td>U</td><td>24</td><td>24</td><td>24</td></tr> </table> <p>x K3-06130 Ø6 x 30 TX30</p>  		11	12	13	I	24	24	28	L	24	24	24	U	24	24	24	<p>53</p>  <p>x 4 K3-06027 Ø5 x 50</p> 	<p>54</p>  <p>x 4 K3-08002 Ø8 x 40</p>	<p>55</p> <table border="1" data-bbox="1158 831 1347 931"> <tr><td></td><td>11</td><td>12</td><td>13</td></tr> <tr><td>I</td><td>26</td><td>26</td><td>30</td></tr> <tr><td>L</td><td>26</td><td>26</td><td>26</td></tr> <tr><td>U</td><td>26</td><td>26</td><td>26</td></tr> </table> <p>x K3-05056 M6 x 5</p>  		11	12	13	I	26	26	30	L	26	26	26	U	26	26	26
	11	12	13																																
I	24	24	28																																
L	24	24	24																																
U	24	24	24																																
	11	12	13																																
I	26	26	30																																
L	26	26	26																																
U	26	26	26																																
<p>56</p>  <p>x 2 K3-08006 Ø6 x 40</p>	<p>57</p> <table border="1" data-bbox="438 1066 627 1167"> <tr><td></td><td>11</td><td>12</td><td>13</td></tr> <tr><td>I</td><td>35</td><td>35</td><td>40</td></tr> <tr><td>L</td><td>35</td><td>35</td><td>35</td></tr> <tr><td>U</td><td>35</td><td>35</td><td>35</td></tr> </table> <p>x K3-05064 M4 x 4</p>  		11	12	13	I	35	35	40	L	35	35	35	U	35	35	35	<p>58</p>  <p>x 8 R3-20590</p>	<p>59</p>  <p>x 1 K3-90005</p> <p>Wood glue Holzkleber Colle à bois Trælim Houtlijm</p>																
	11	12	13																																
I	35	35	40																																
L	35	35	35																																
U	35	35	35																																
<p>60</p>  <p>x 1 H2-63530</p>	<p>61</p>  <p>x 1 R1-63501 24 mm</p>	<p>62</p>  <p>x 1 H3-35920</p>	<p>63</p>  <p>x 1 K1-01620</p> <p>Ø40,2</p>																																
<p>64</p>  <p>x 2 K3-02512 M12 x 30</p>	<p>65</p>  <p>x 2 K3-04092 A12</p> 	<p>66</p>  <p>x 2 K3-04032 Ø12</p> 																																	



Tools not included!
Werkzeuge nicht enthalten!
Gereedschap niet inbegrepen!
Outils non inclus!
Værktøj ikke inkluderet!



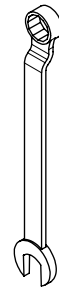
- ∅ 3mm
- ∅ 4mm
- ∅ 6mm
- ∅ 8mm
- ∅ 10mm
- ∅ 6mm
- ∅ 8mm
- ∅ 12mm



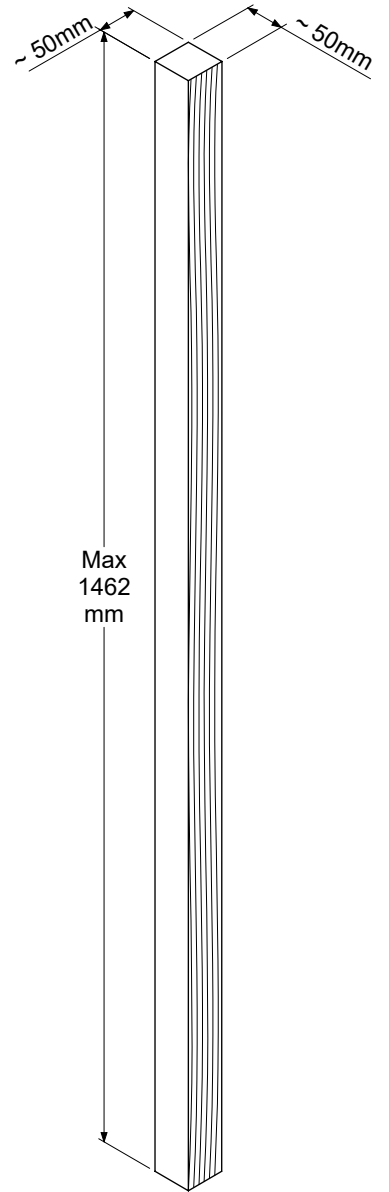
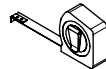
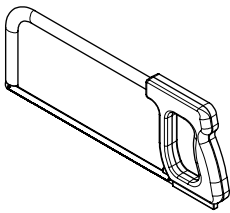
- 3mm
- 4mm
- 6mm



- TX25
- TX30
- PZ2



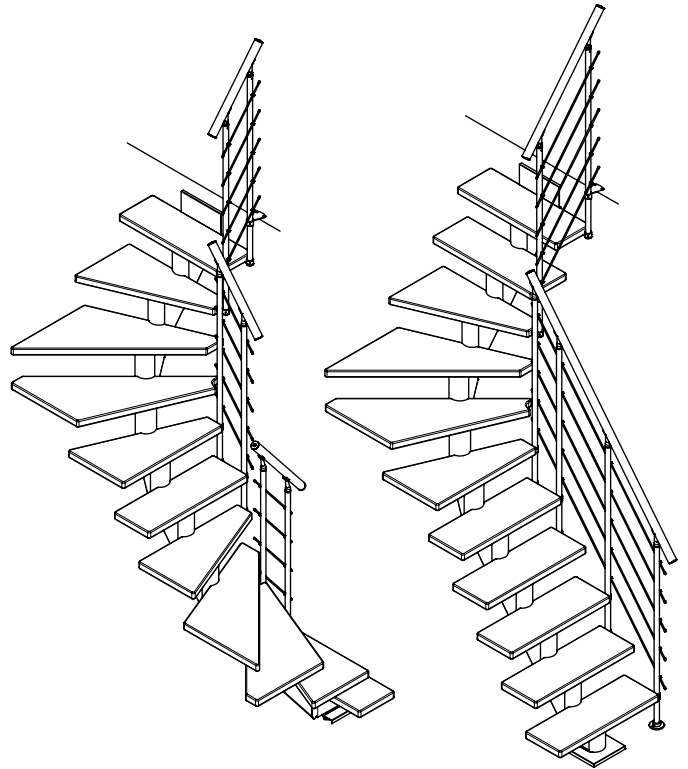
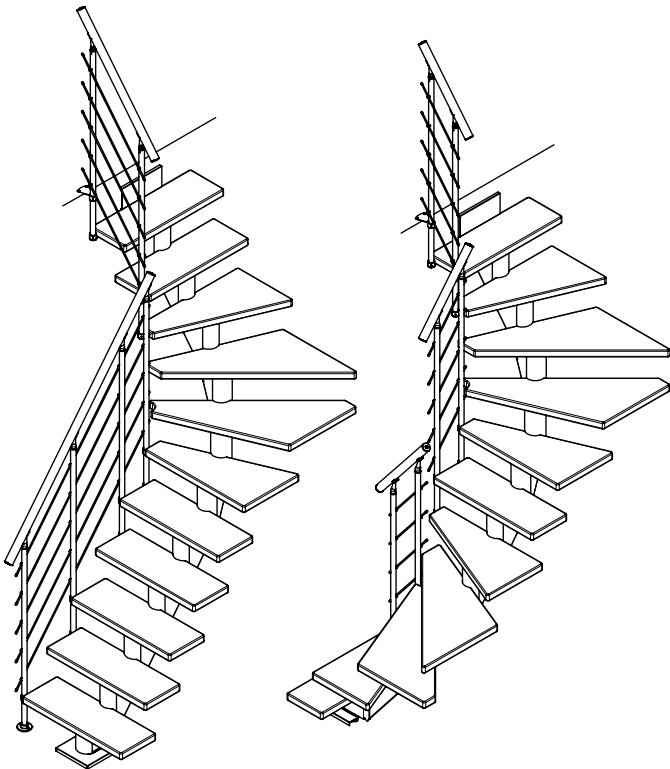
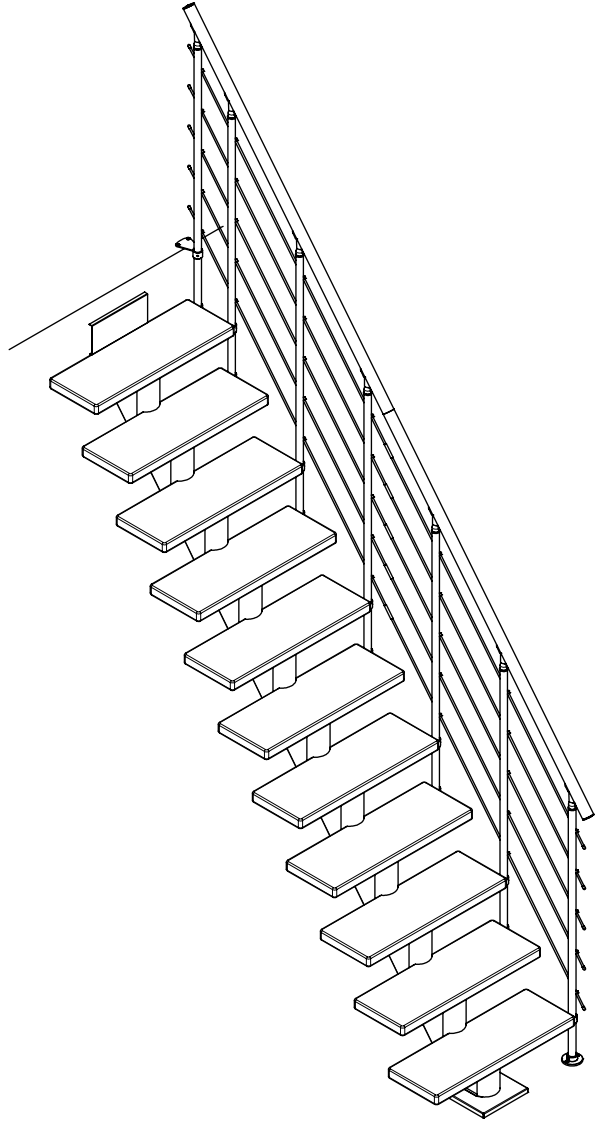
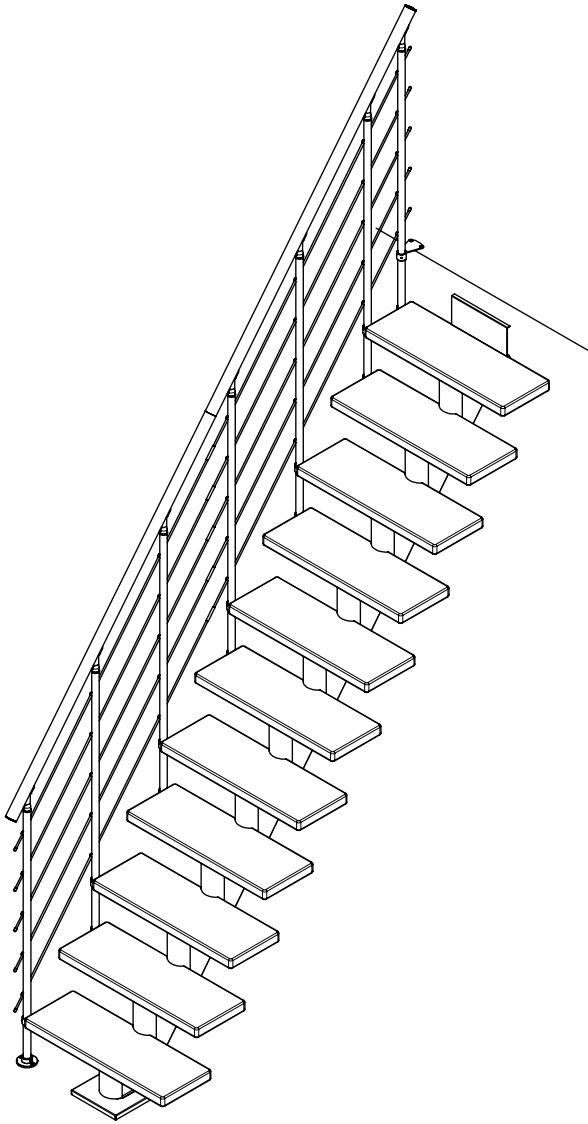
16mm

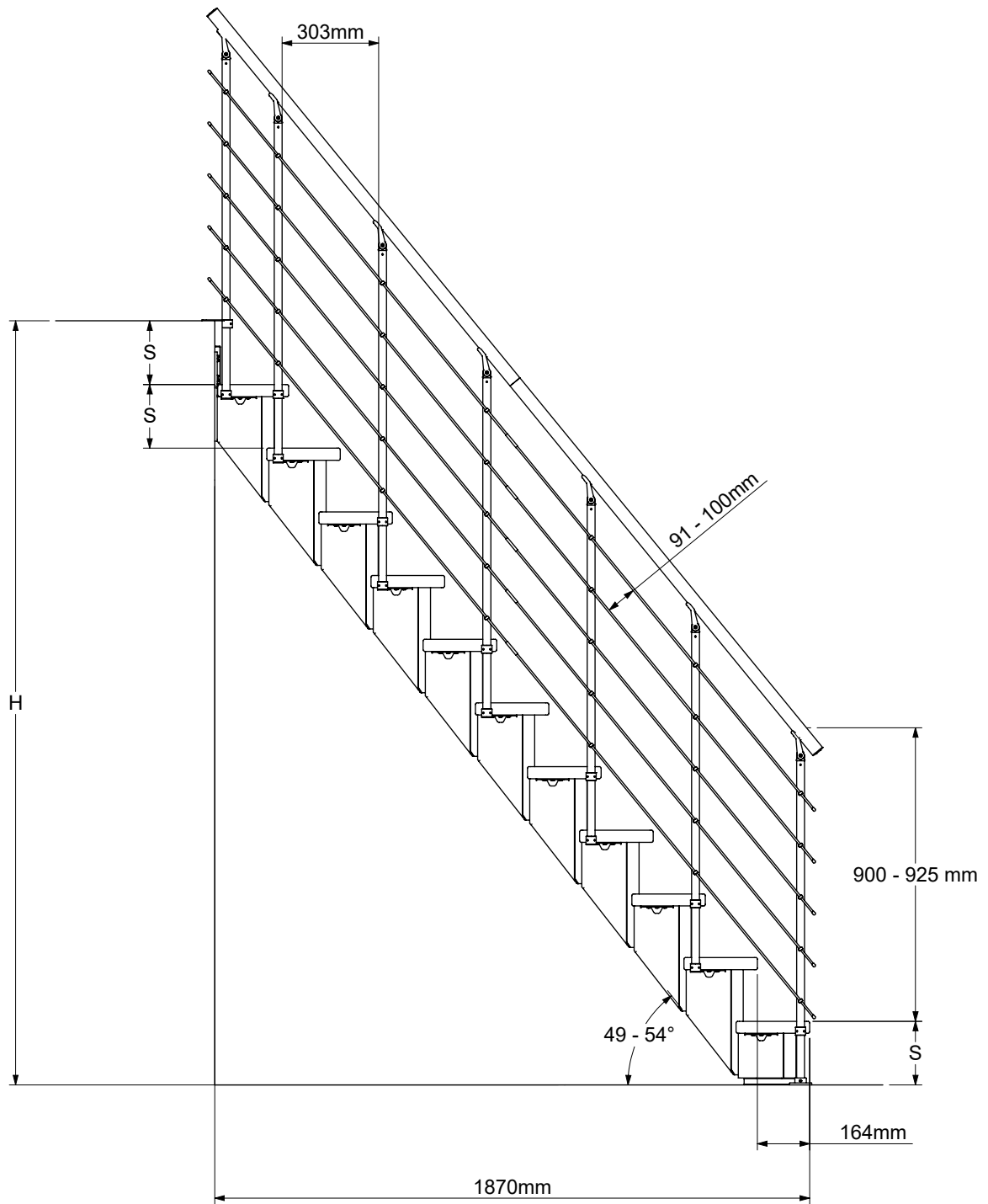




L

R





$$S = \frac{H}{T + 1}$$

	min S	max S
	185 mm	215 mm

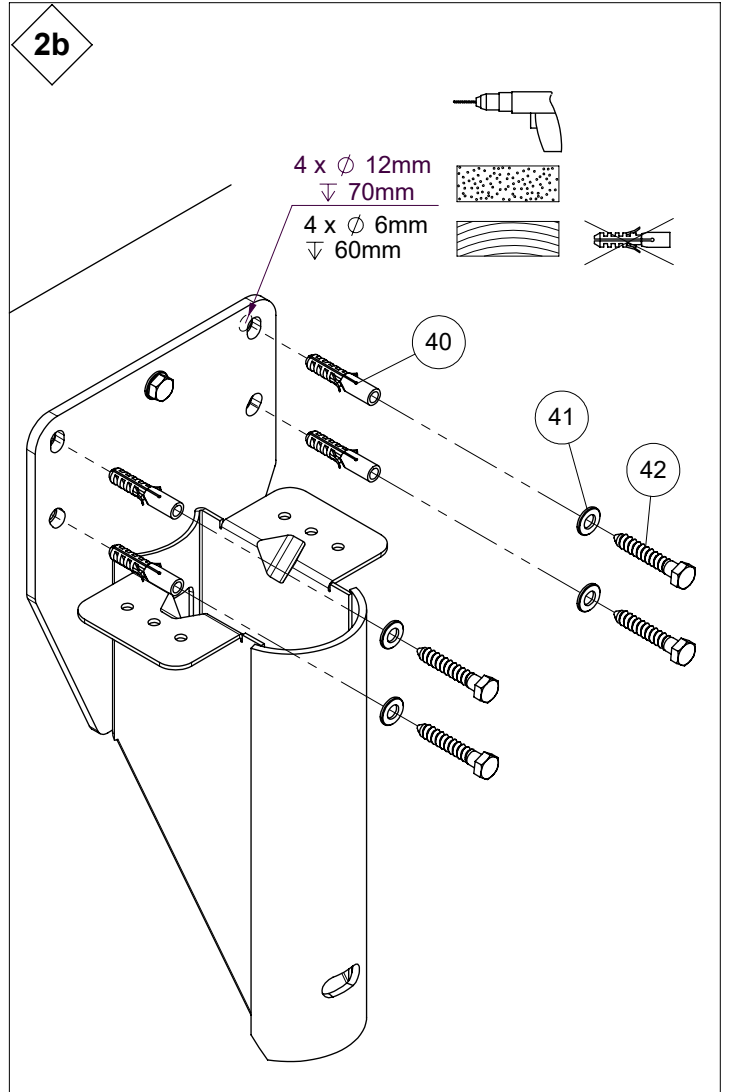
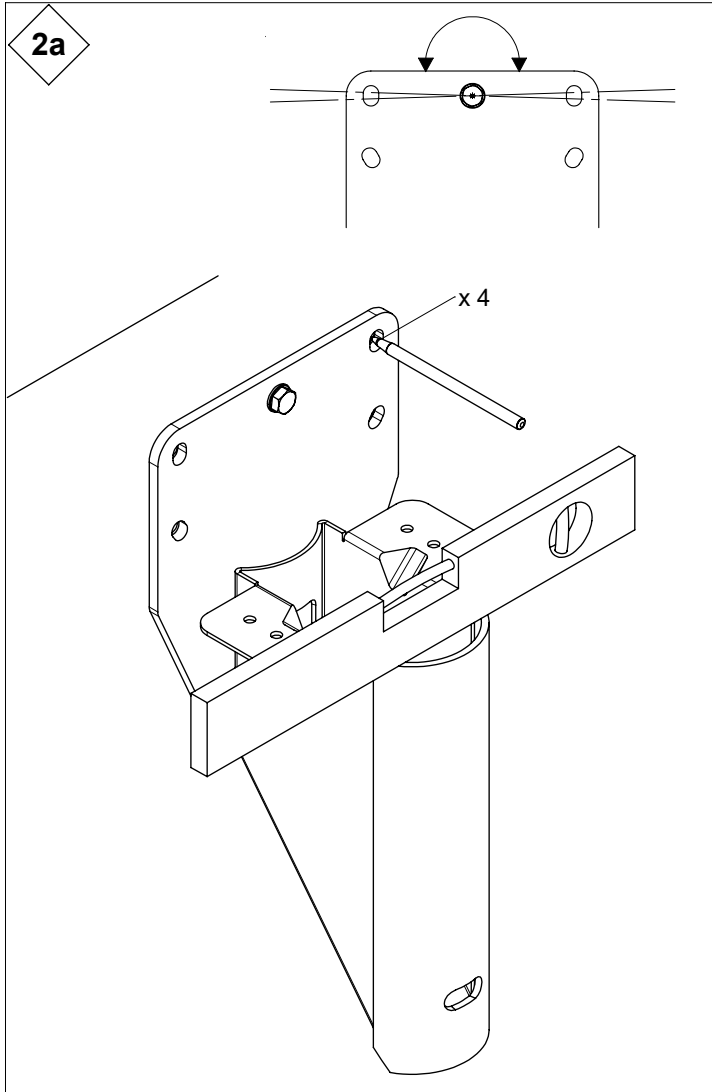
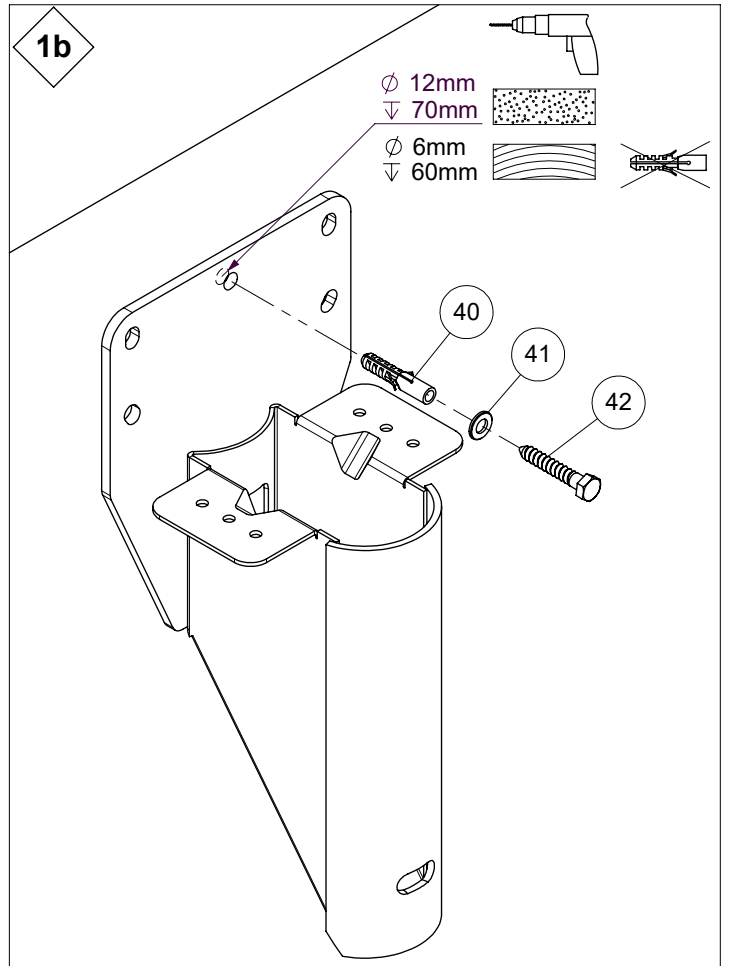
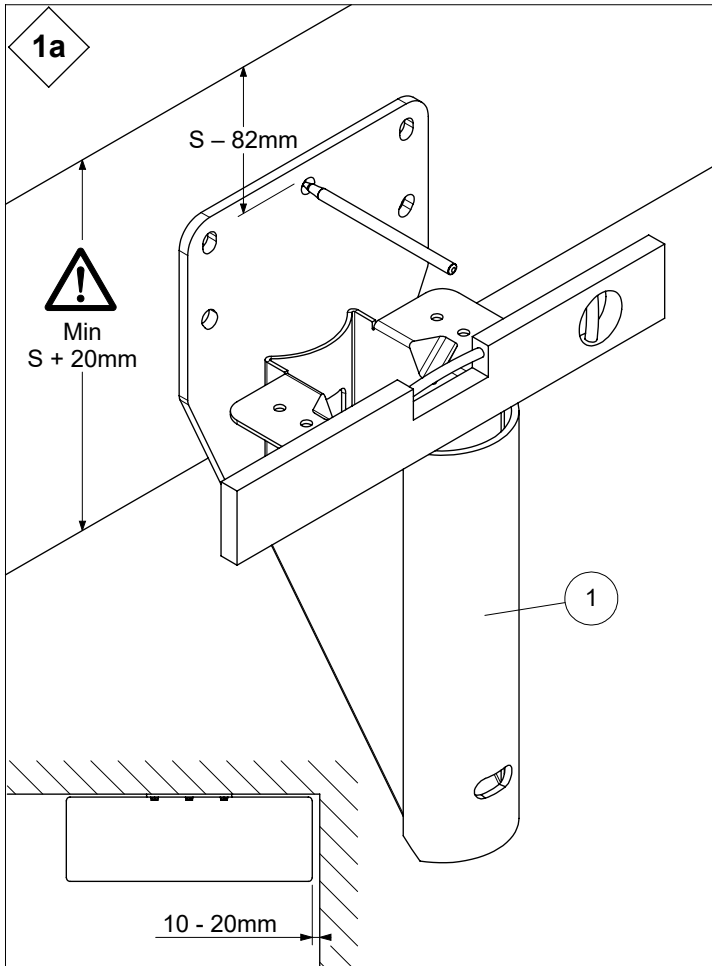
Example / Beispiel / Voorbeeld / Example / Eksempel:

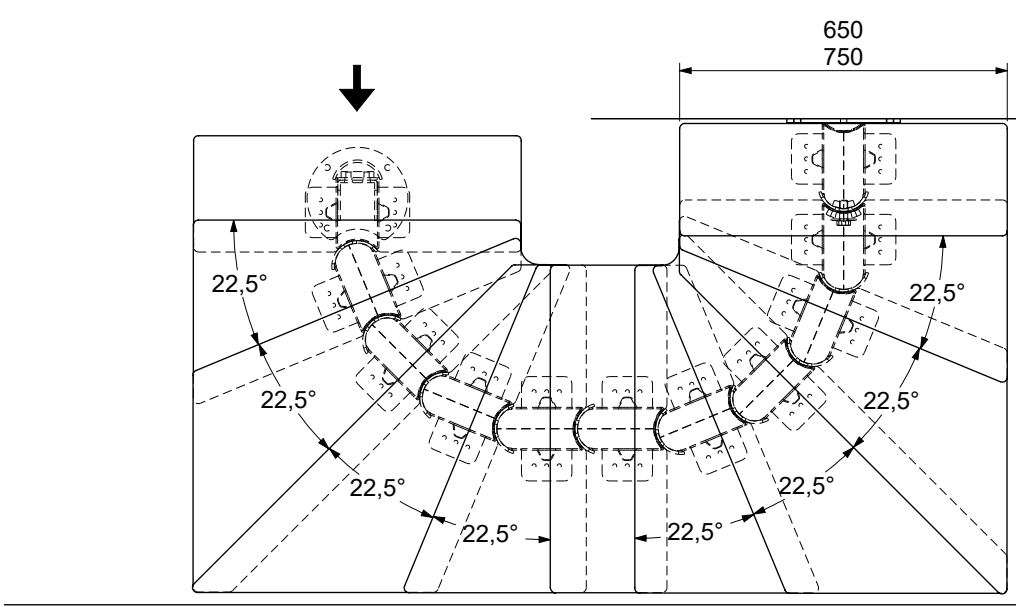
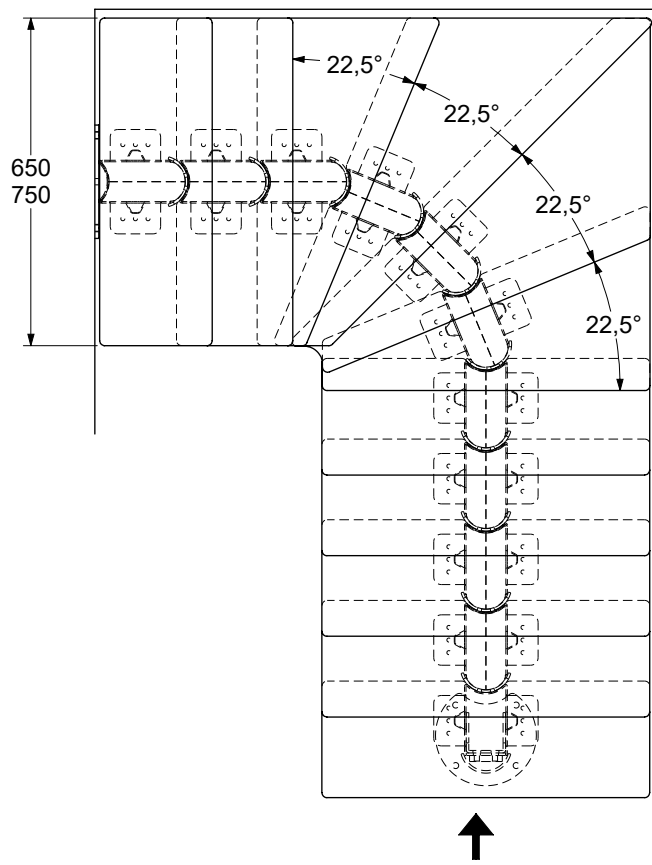
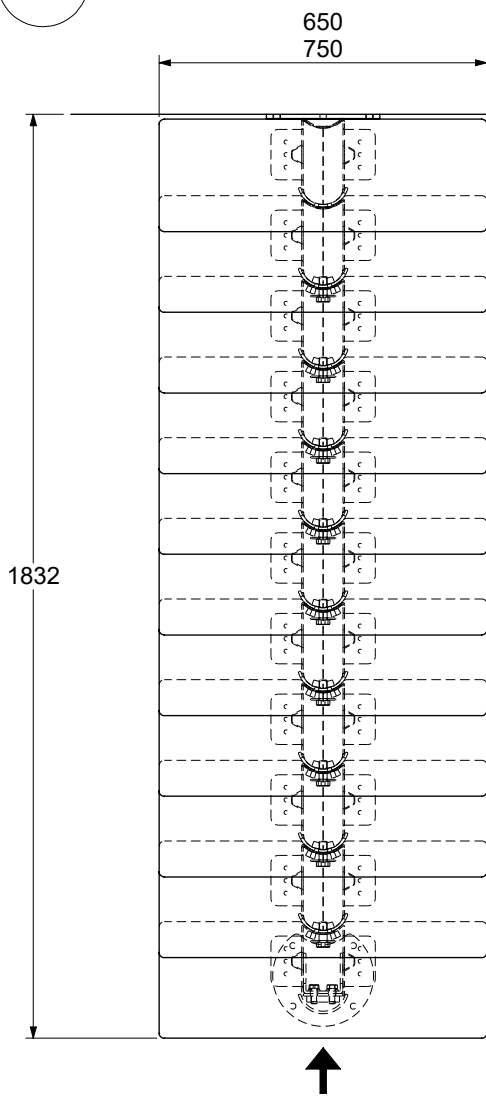
H: 2400 mm, T: 11 st(pcs)

$$S = \frac{2400\text{ mm}}{11 + 1} = 200\text{ mm}$$

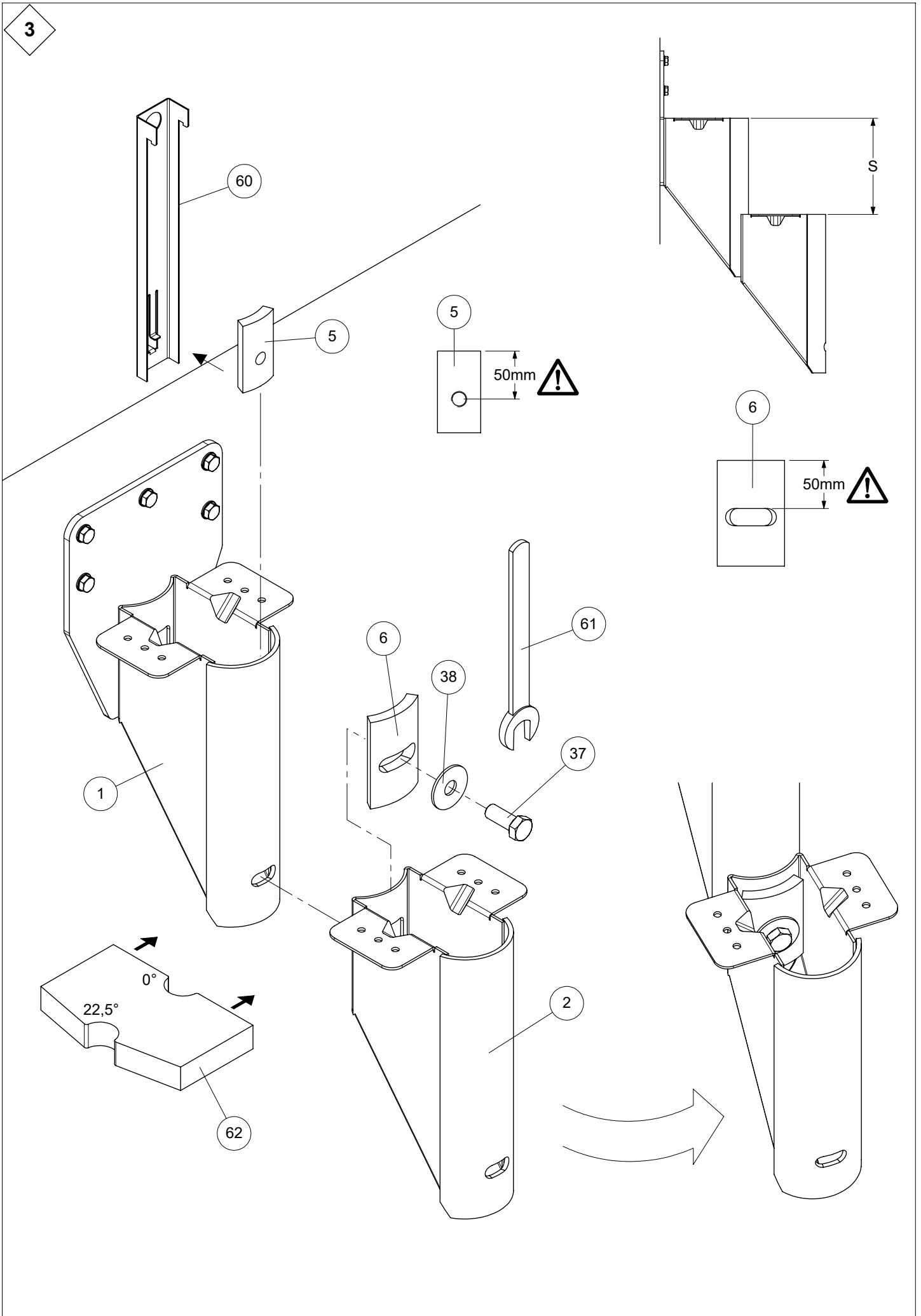


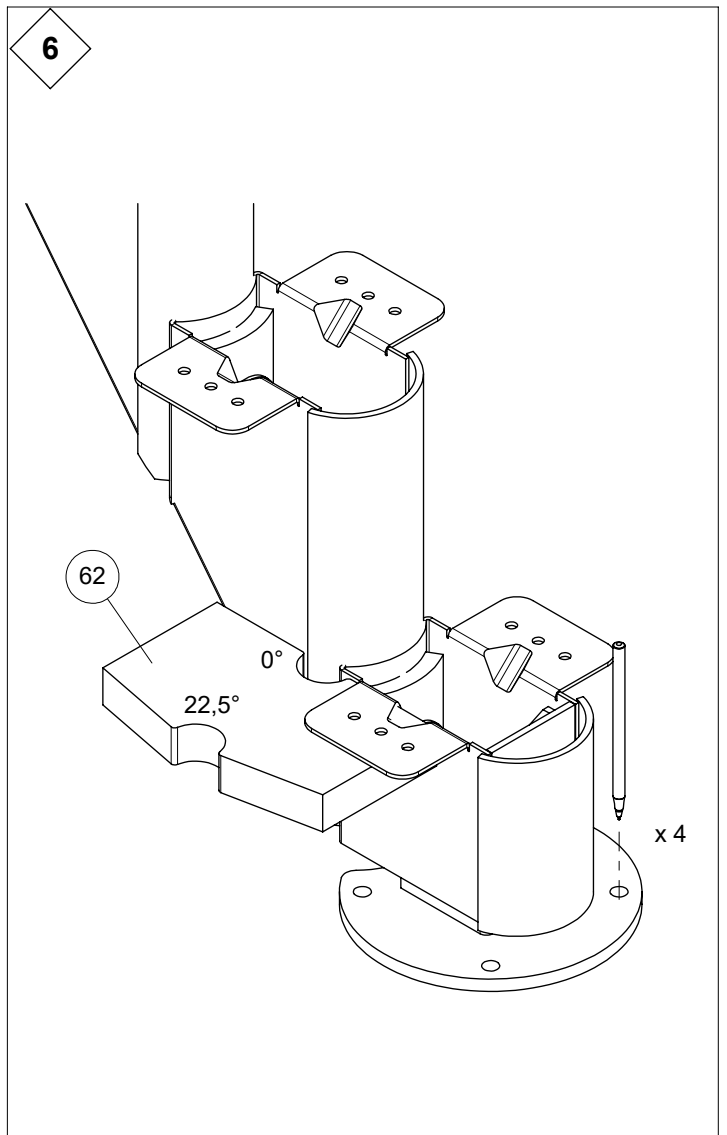
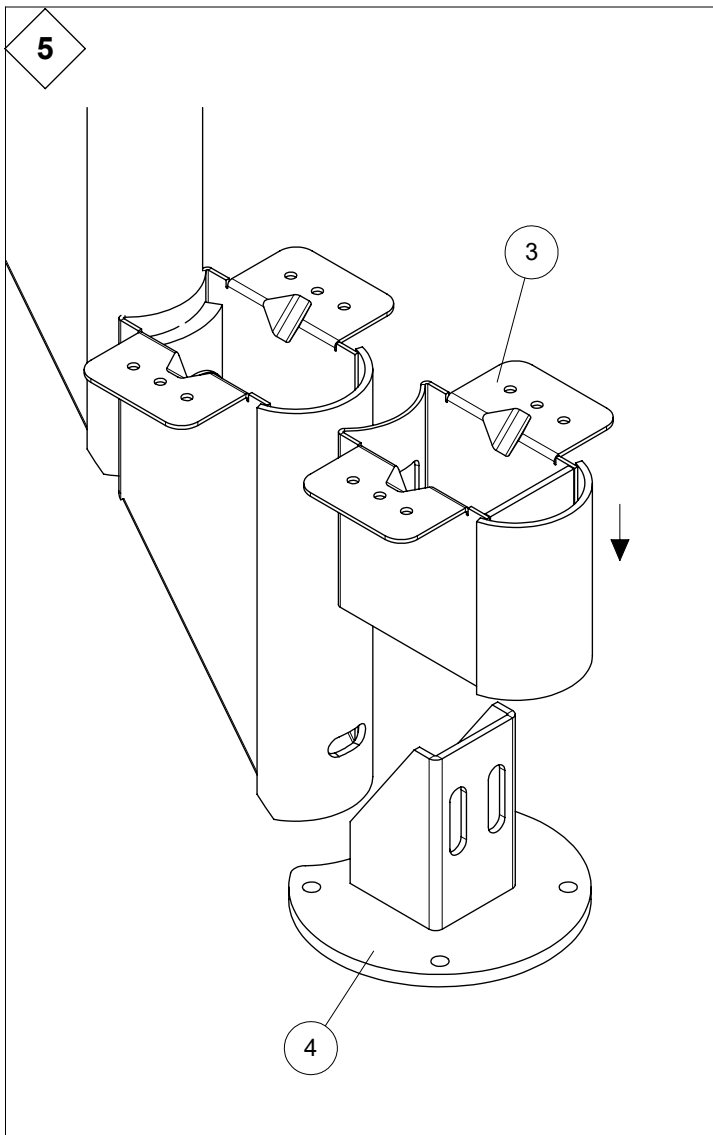
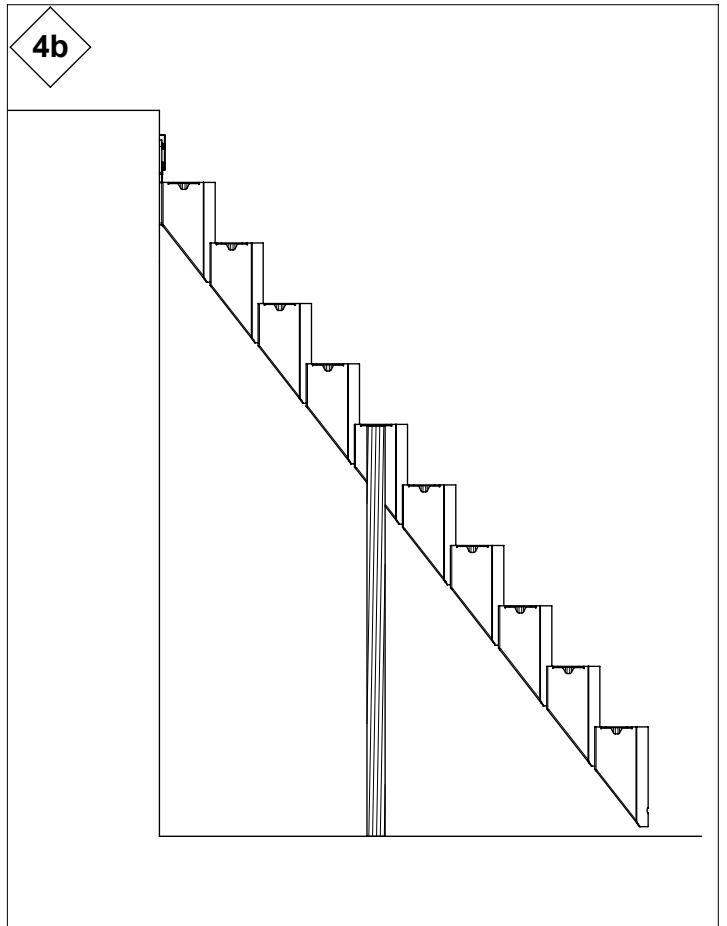
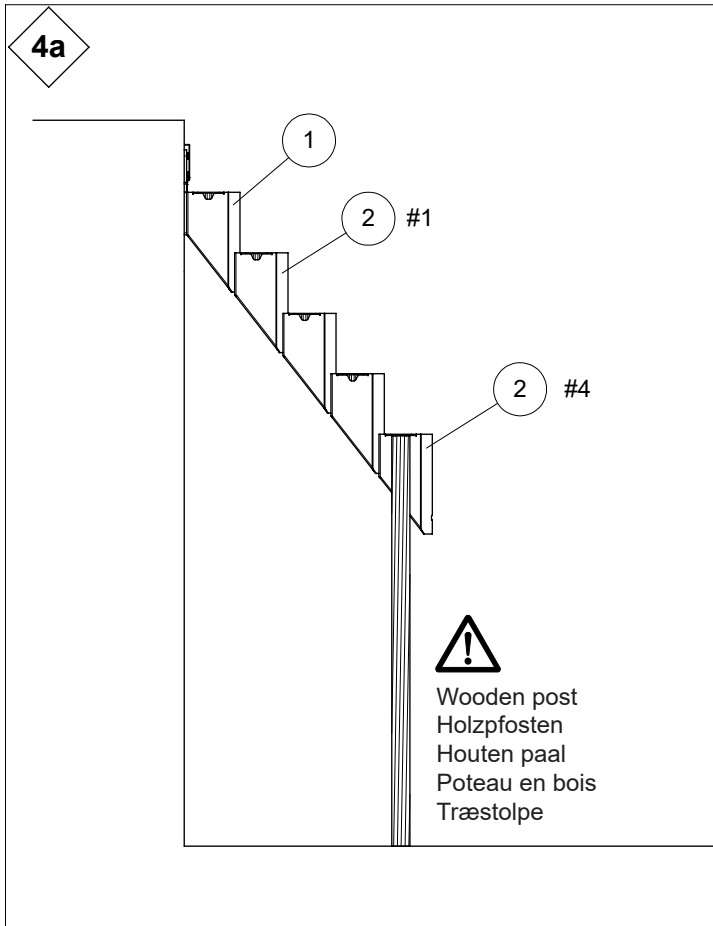
T	min H	max H
9	1850 mm	2150 mm
10	2035 mm	2365 mm
11	2220 mm	2580 mm
12	2405 mm	2795 mm
13	2590 mm	3010 mm

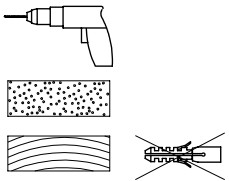
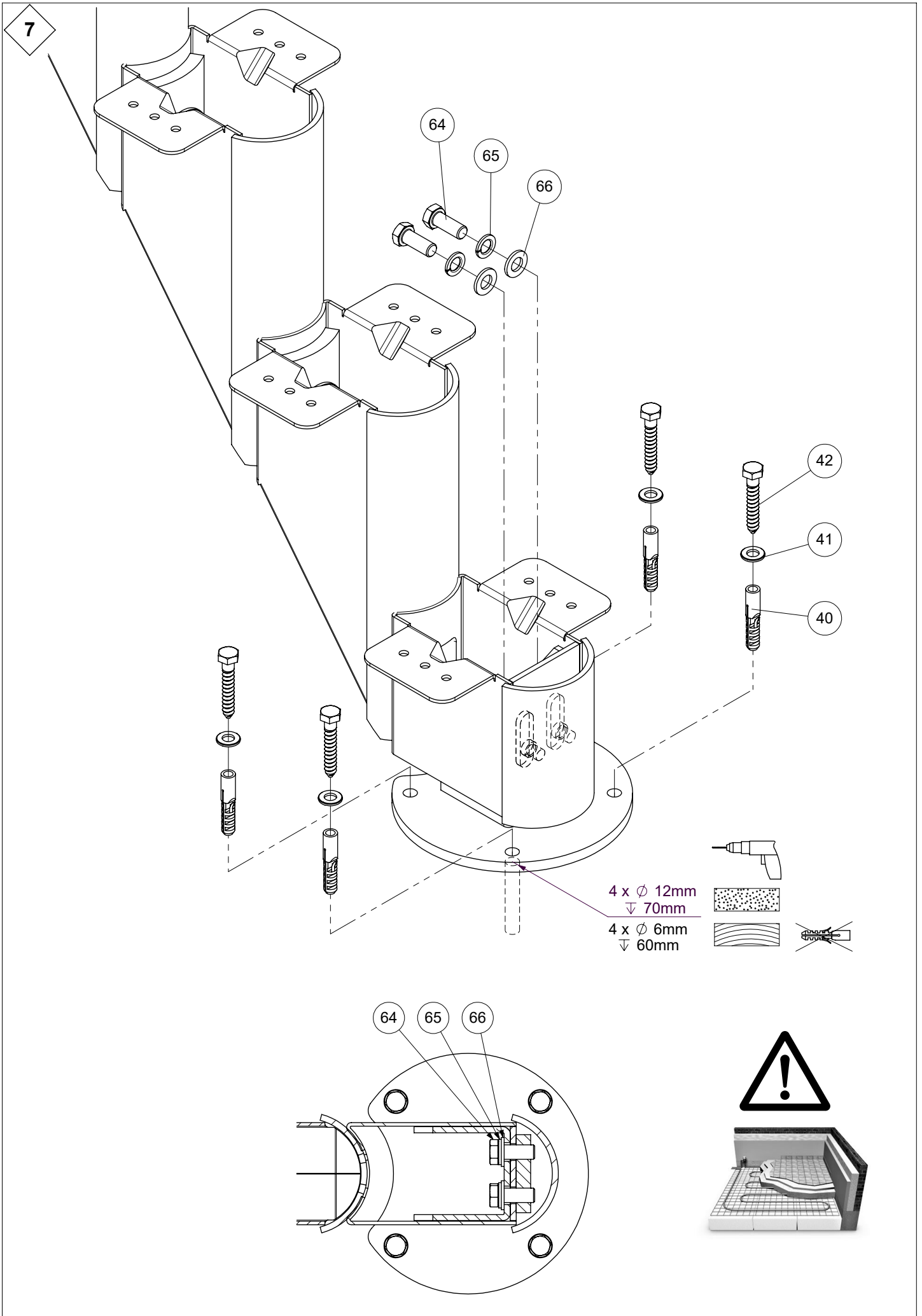




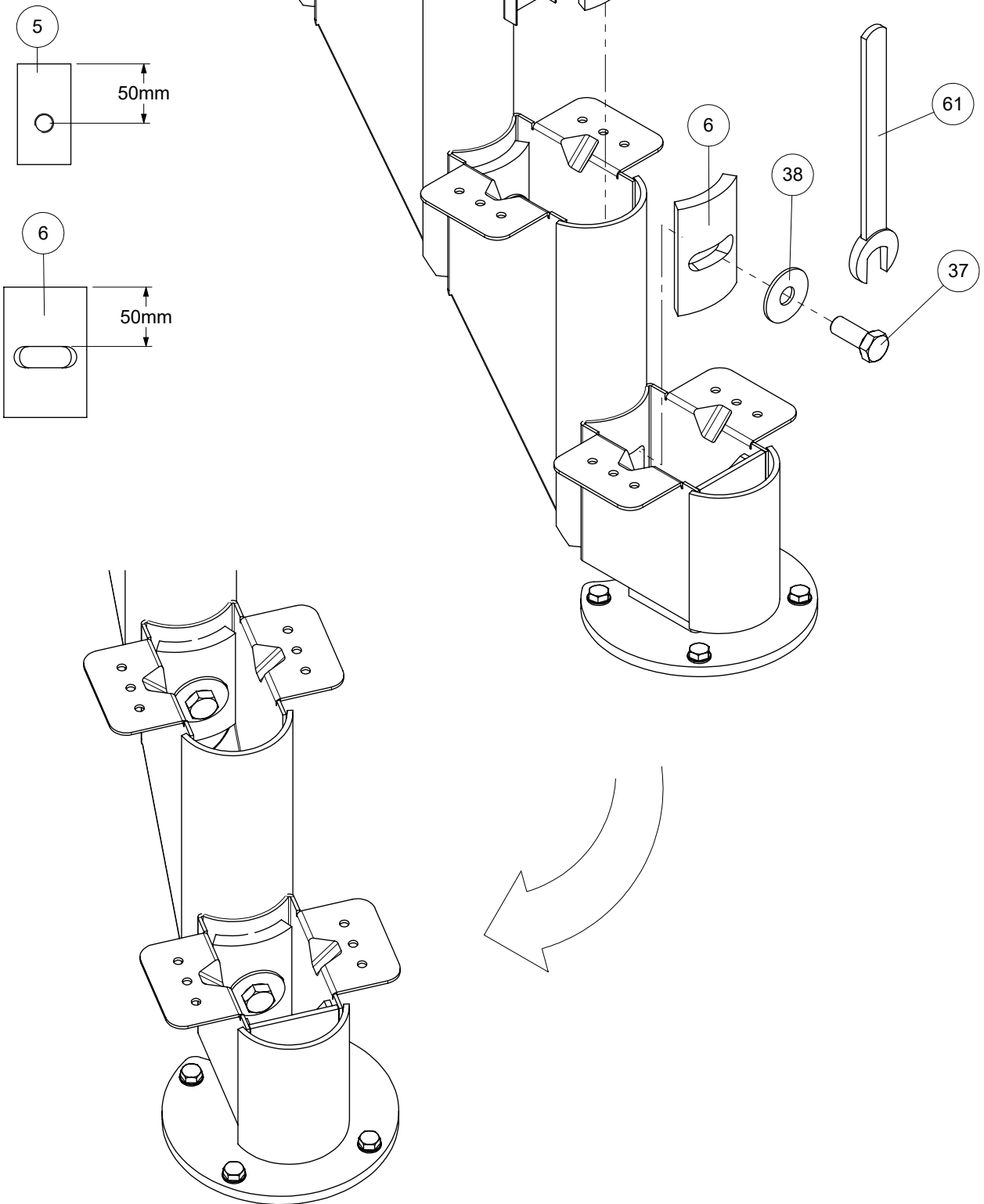
3

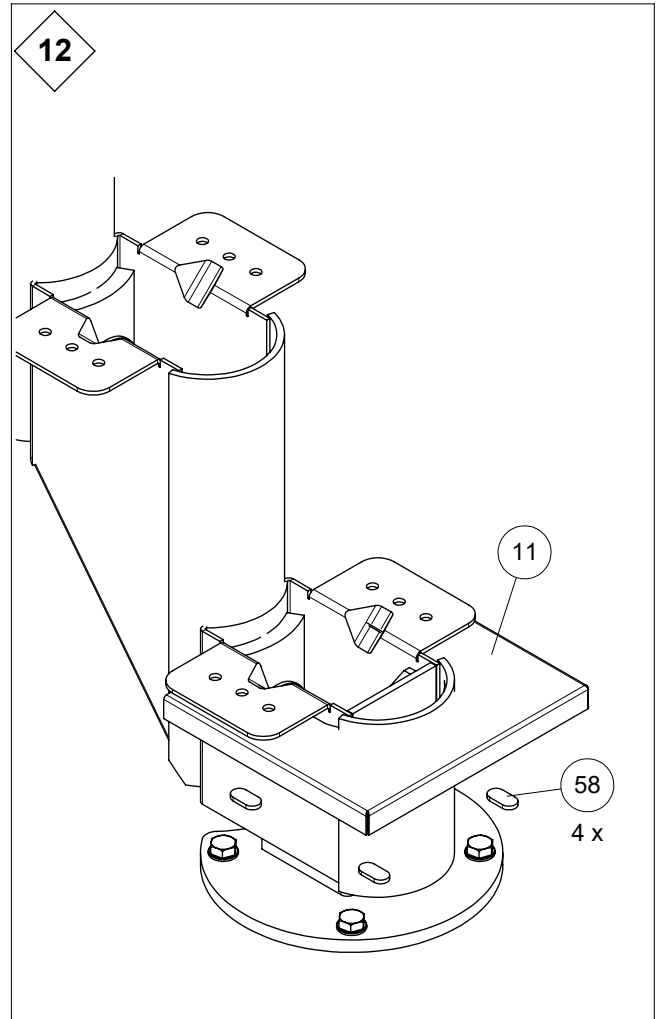
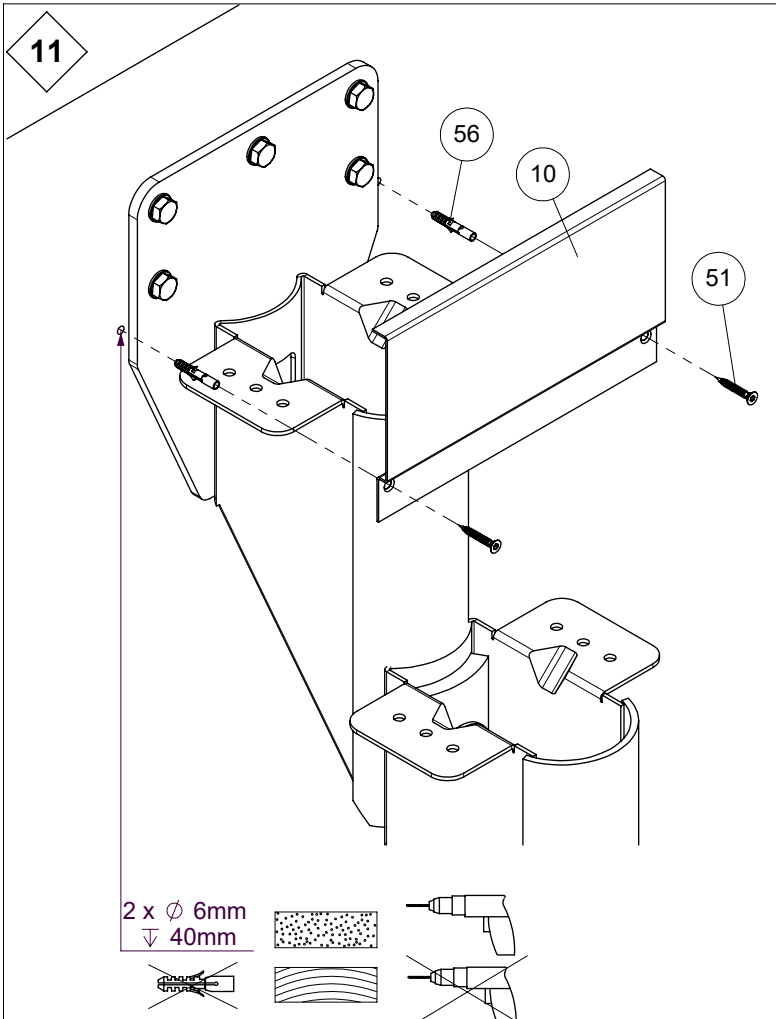
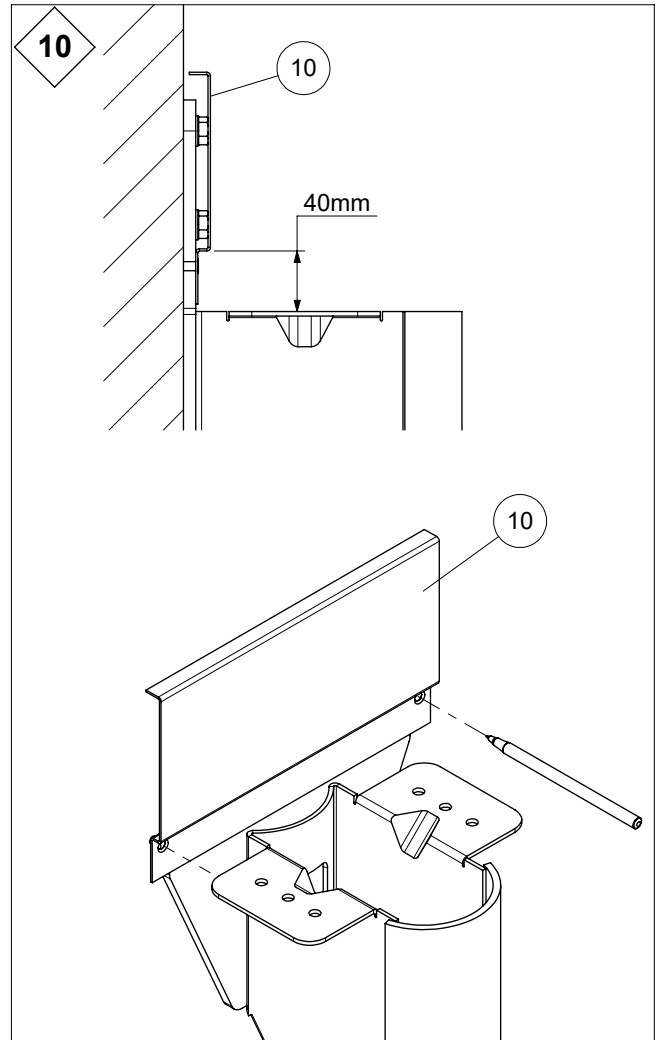
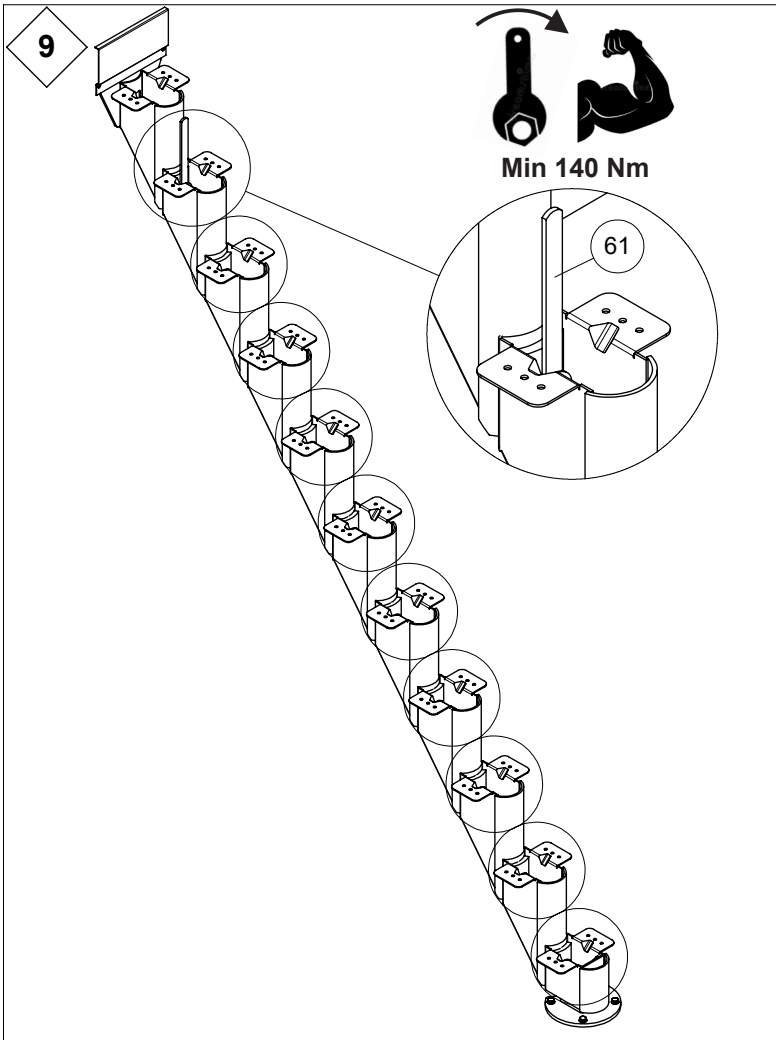




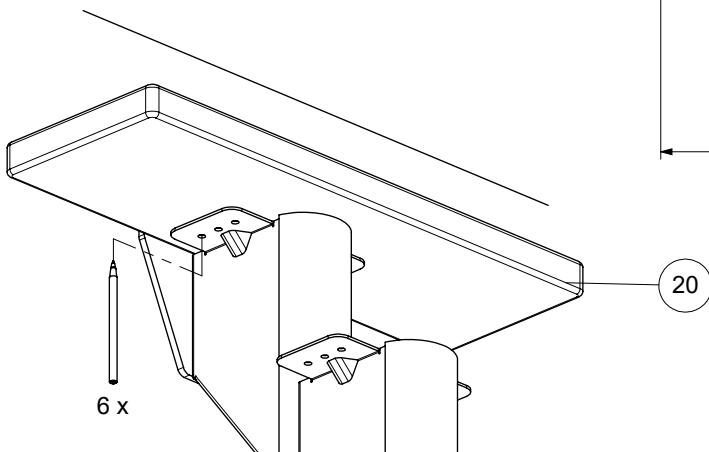
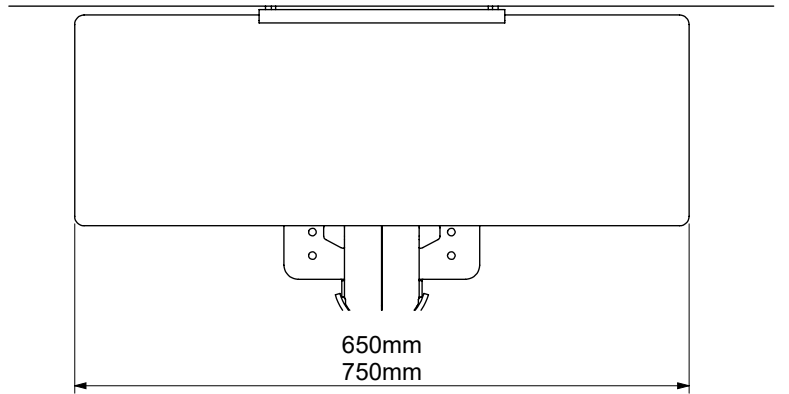
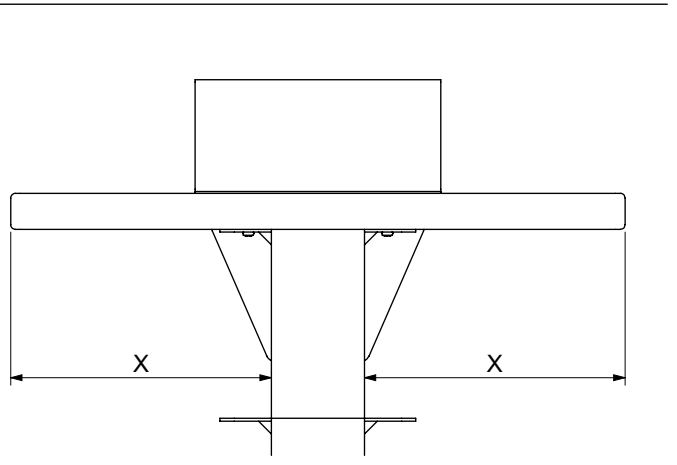
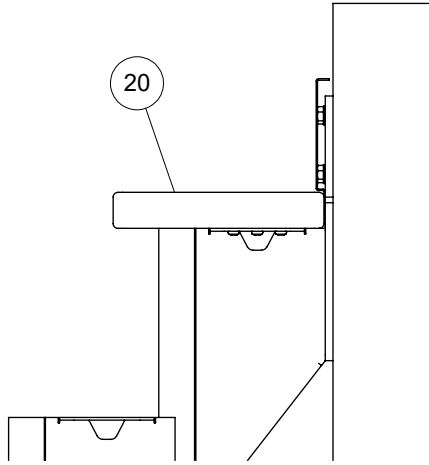


8

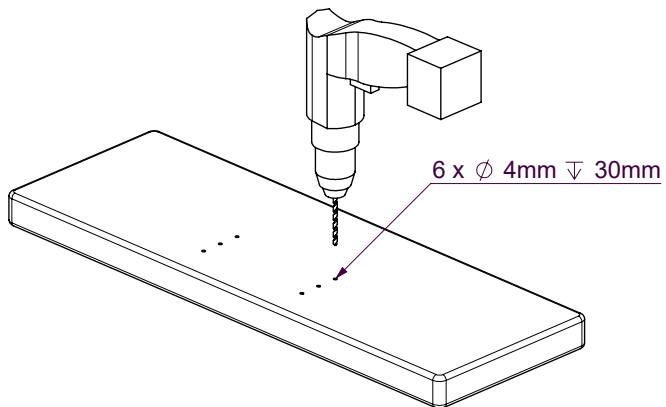




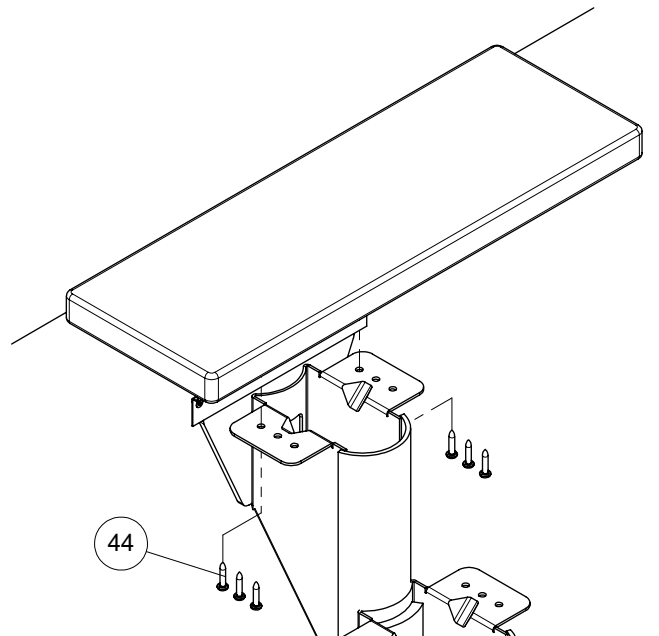
13



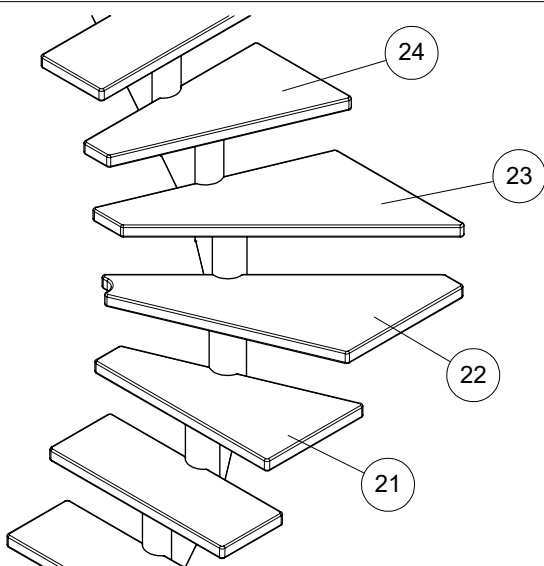
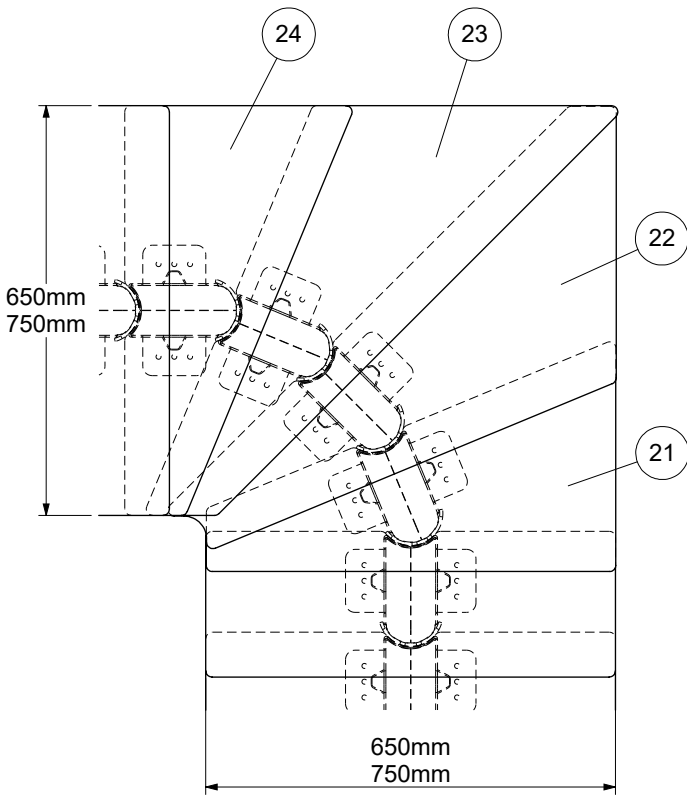
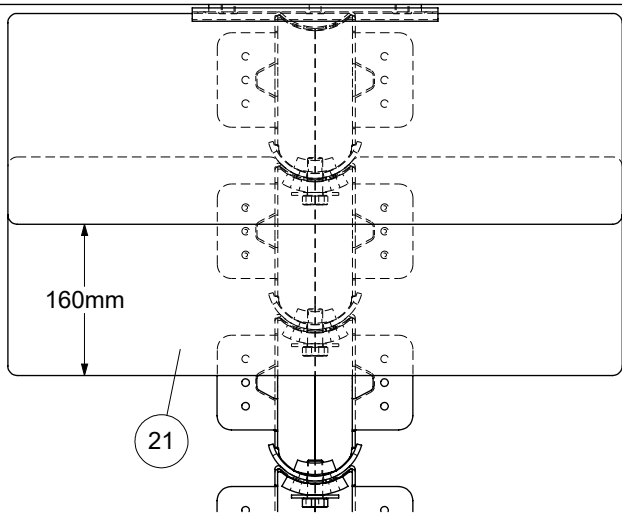
14



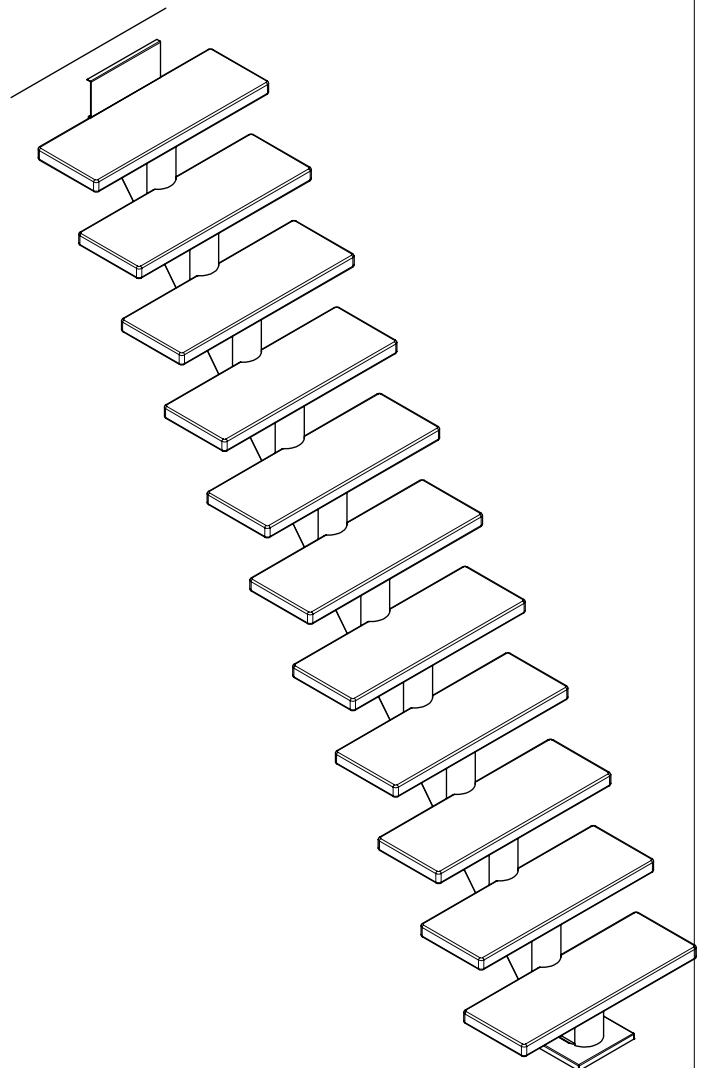
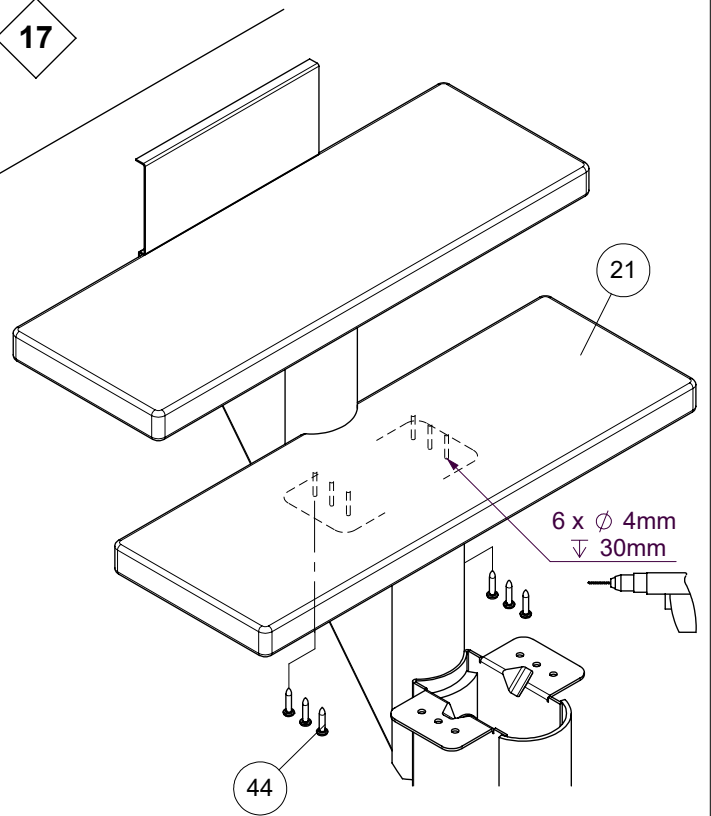
15



16

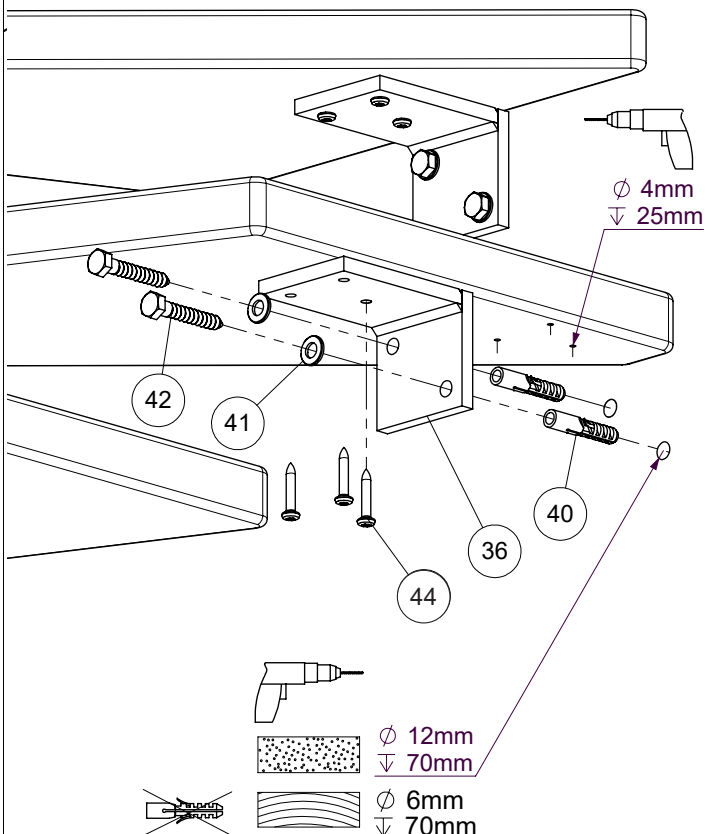
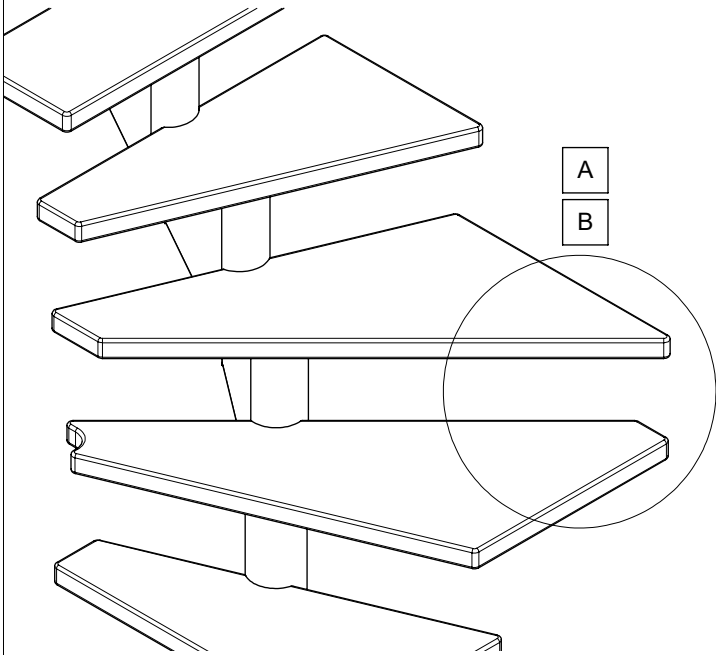


17



18

I	Mounting of wallbrackets is optional Die Montage von Wandhalterungen ist optional Montage van muurbeugels is optioneel Le montage de supports muraux est facultatif Montering af vægbeslag er valgfri
L	2 wall brackets in position A or B 2 Wandhalterungen in der Position A oder B 2 muurbeugels in positie A of B 2 supports mural dans la position A ou B 2 vægbeslag i position A eller B
U	4 wall brackets in position A or B 4 Wandhalterungen in der Position A oder B 4 muurbeugels in positie A of B 4 supports mural dans la position A ou B 4 vægbeslag i position A eller B



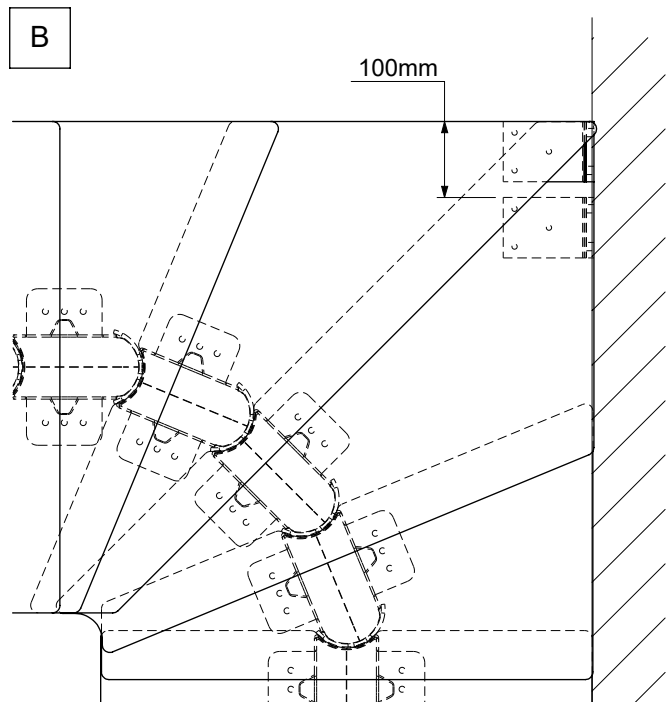
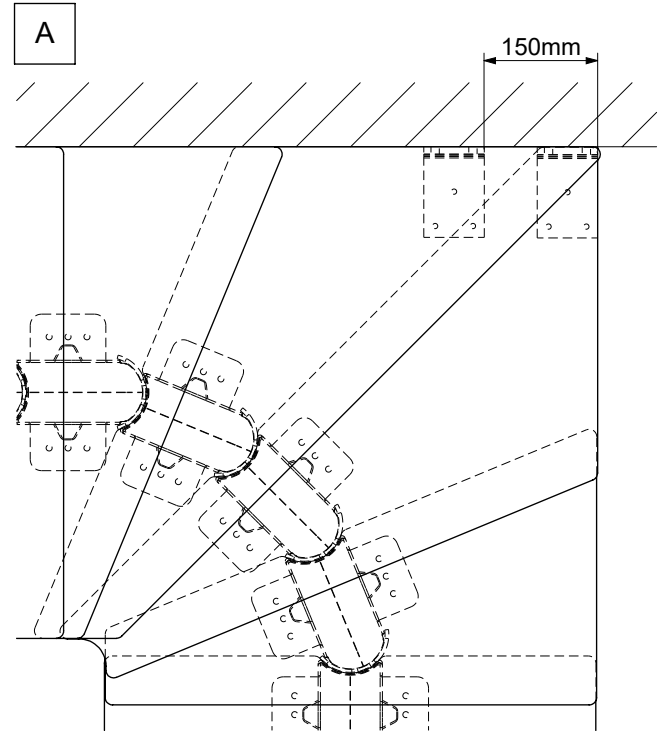
2 wall brackets must be mounted on a 1/4 turn or 4 on a 1/2 turn staircase.

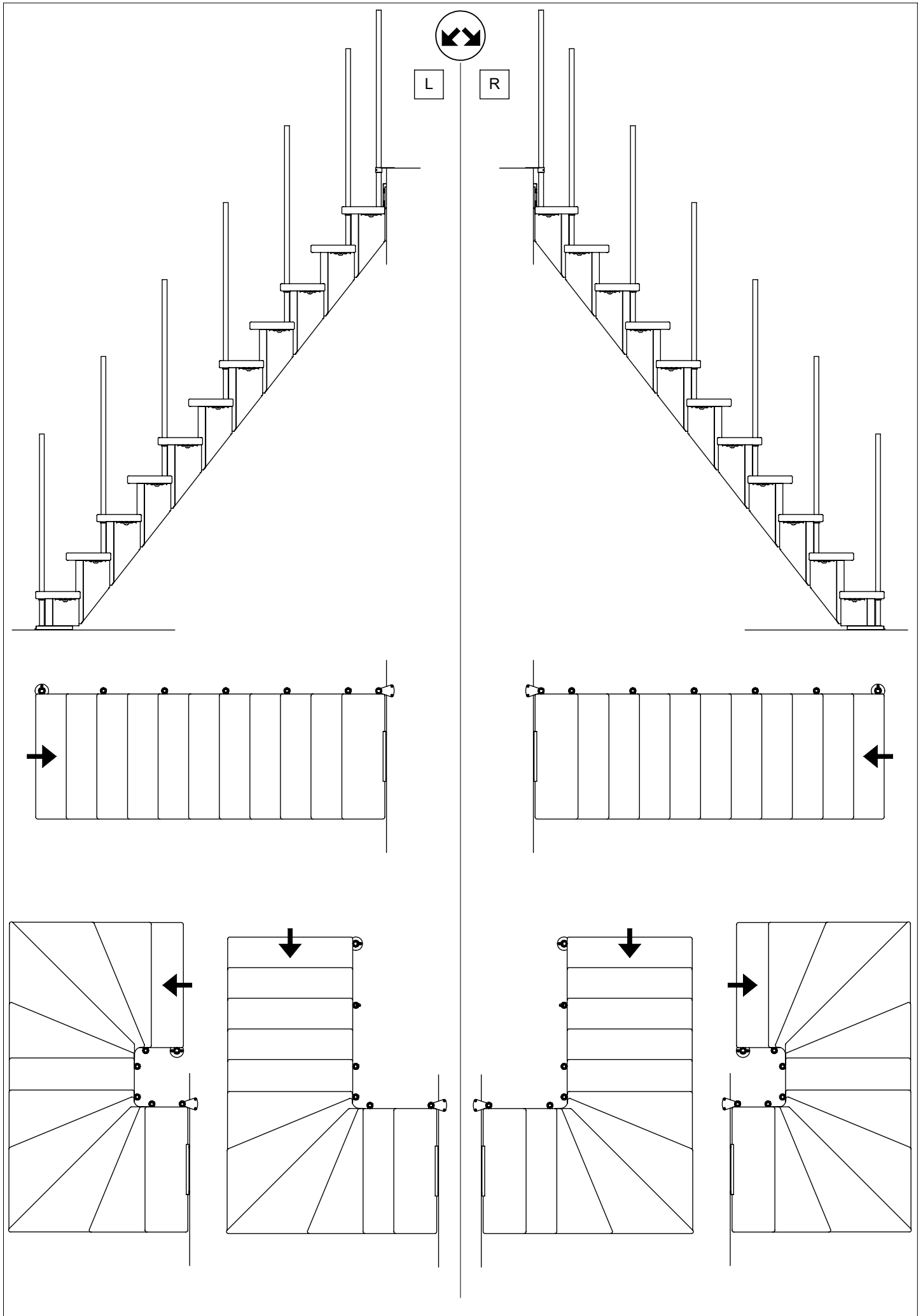
2 Wandhalterungen müssen auf einer 1/4-gewendelten oder 4 auf einer 1/2-gewendelten Treppe montiert werden.

2 muurbeugels moeten gemonteerd worden op een 1/4 draai of 4 op een 1/2 draai trap.

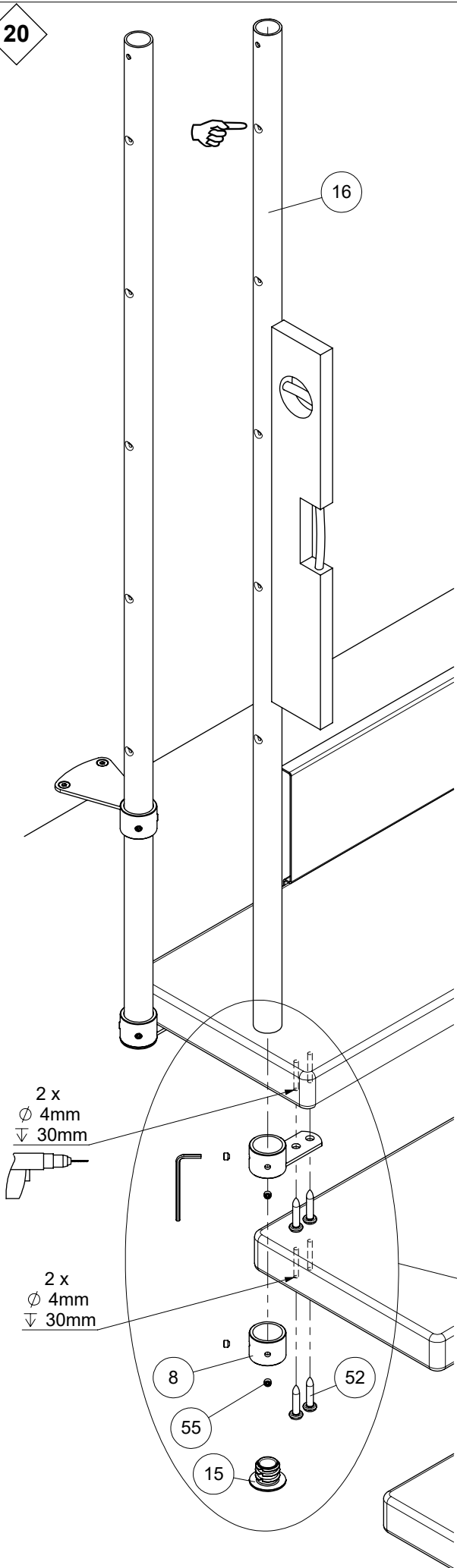
2 supports mural doivent être monté sur un escalier 1/4 ou 4 sur un escalier 1/2 tournant.

2 vægvingler er påkrævet i en 1/4-svings- eller 4 i en 1/2-svings-trappe.

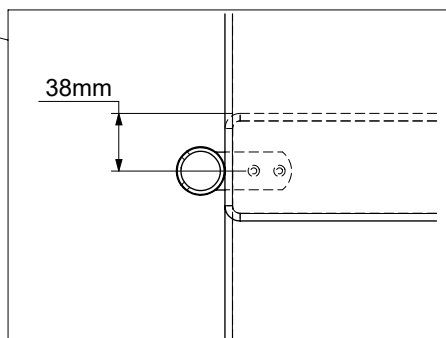
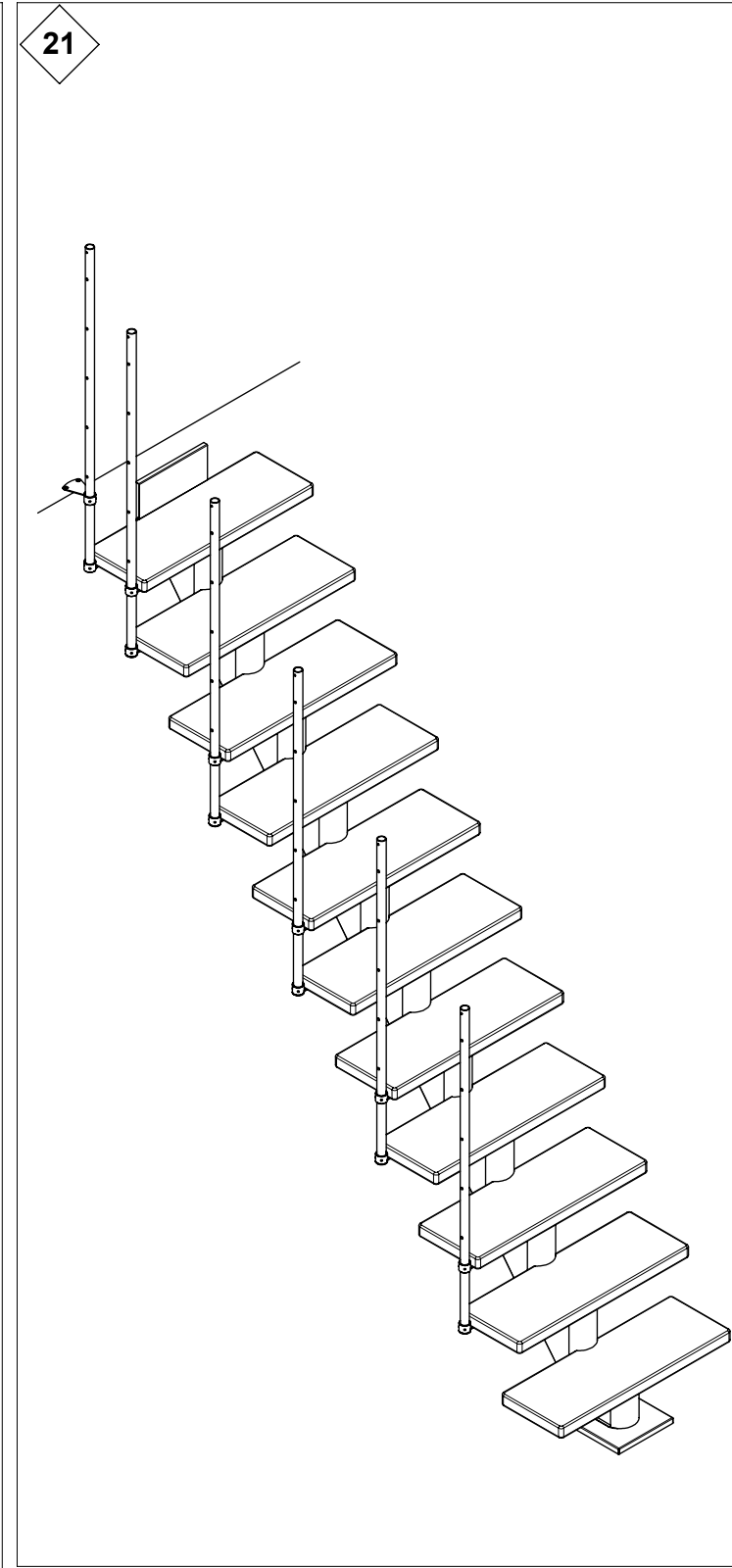




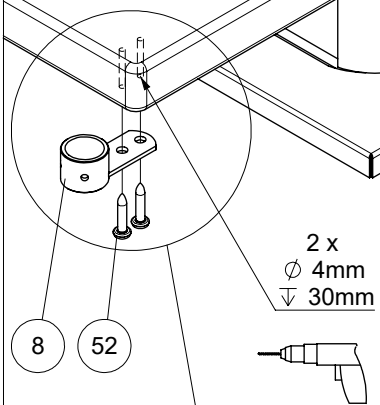
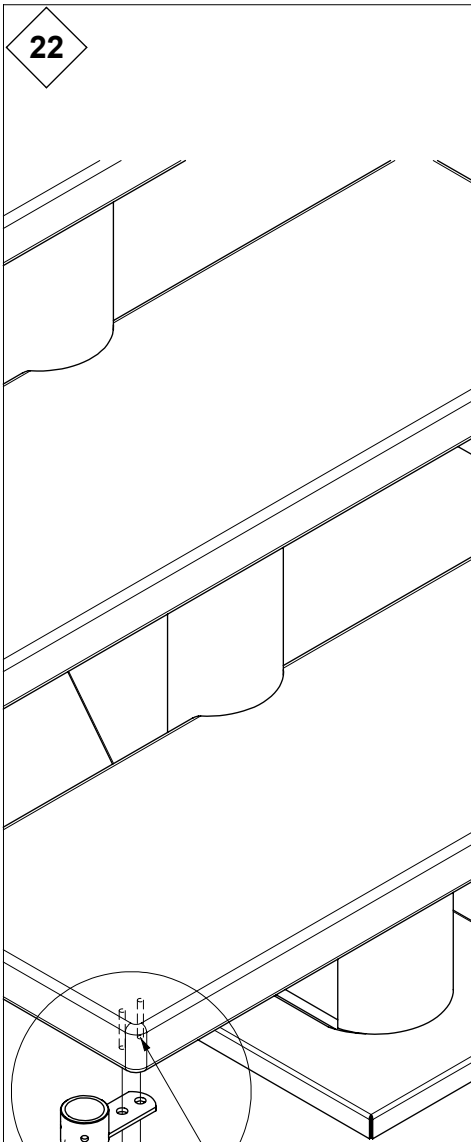
20



21



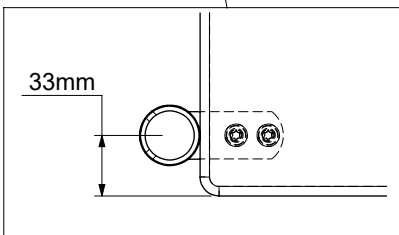
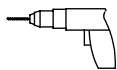
22



8

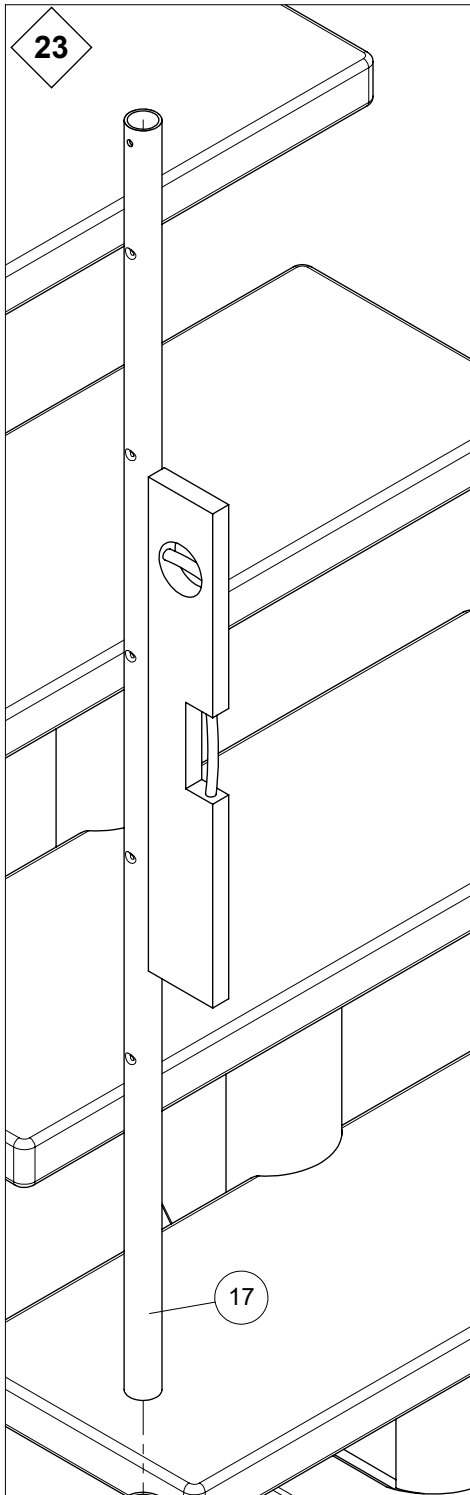
52

2 x
Ø 4mm
30mm



33mm

23

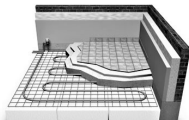


9

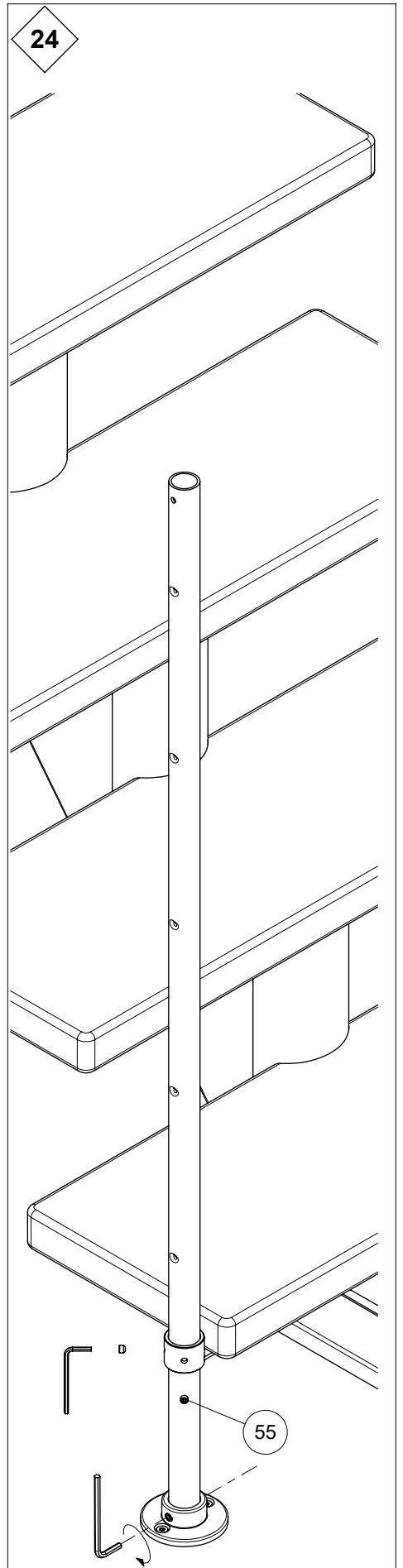
54

53

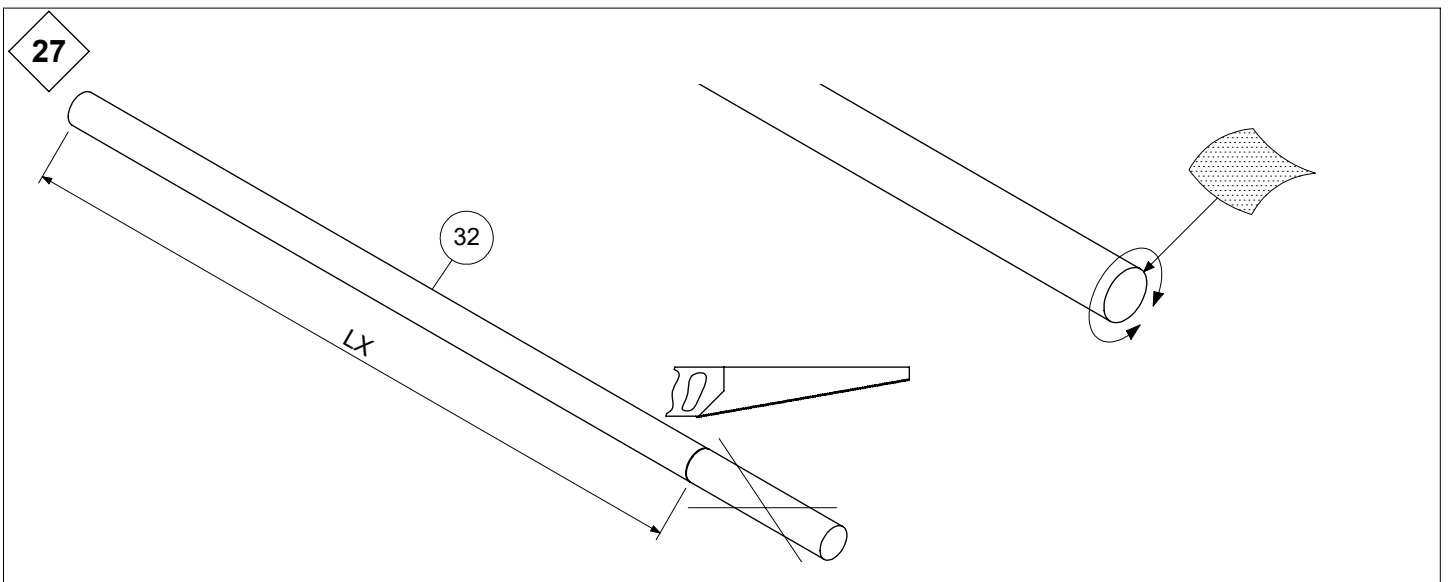
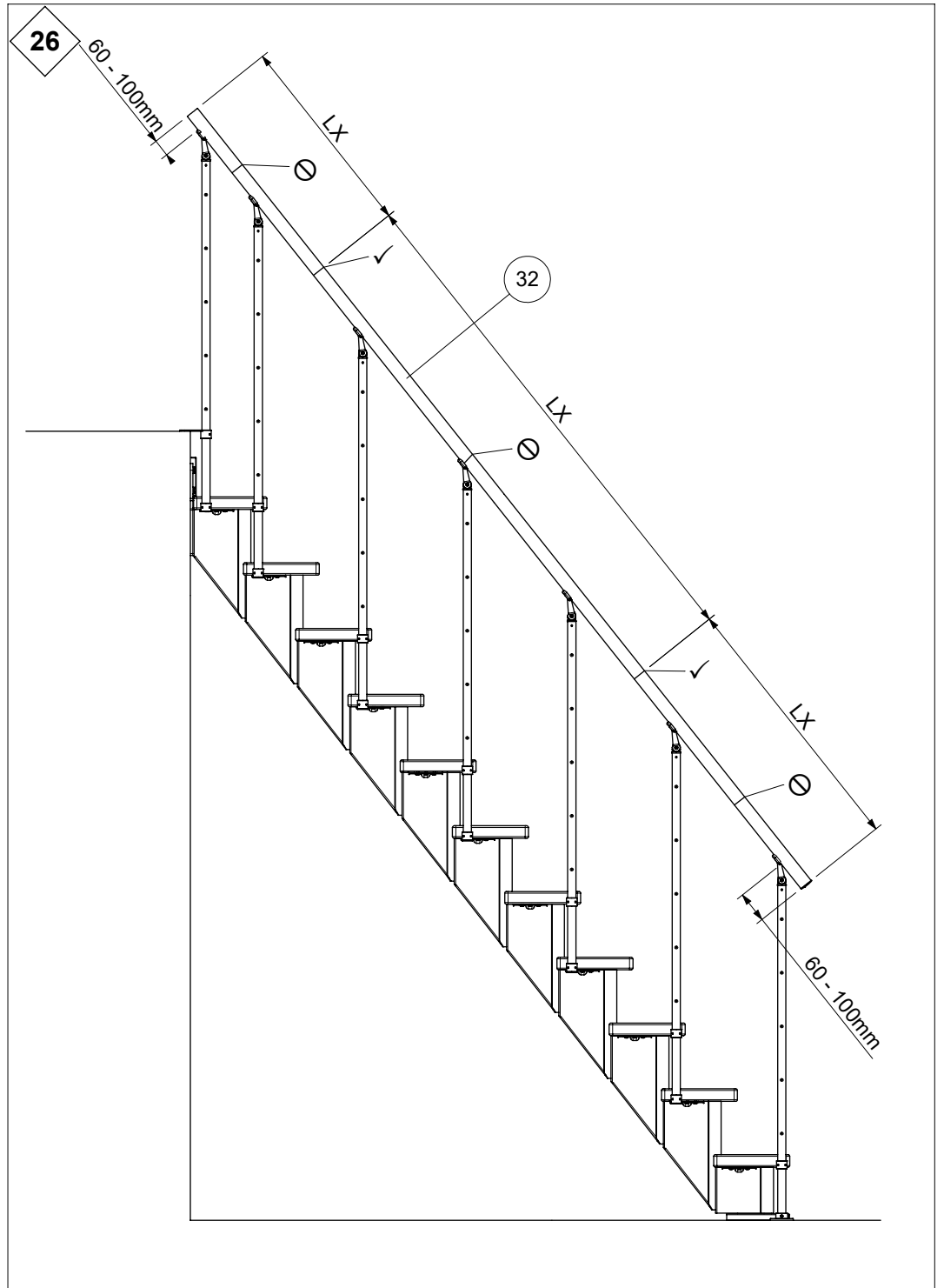
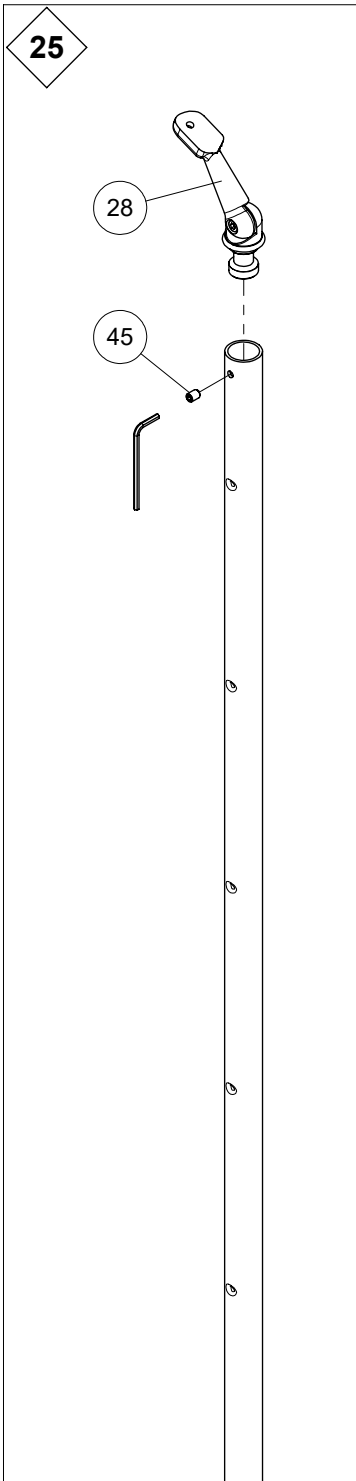
2 x
Ø 8mm
50mm



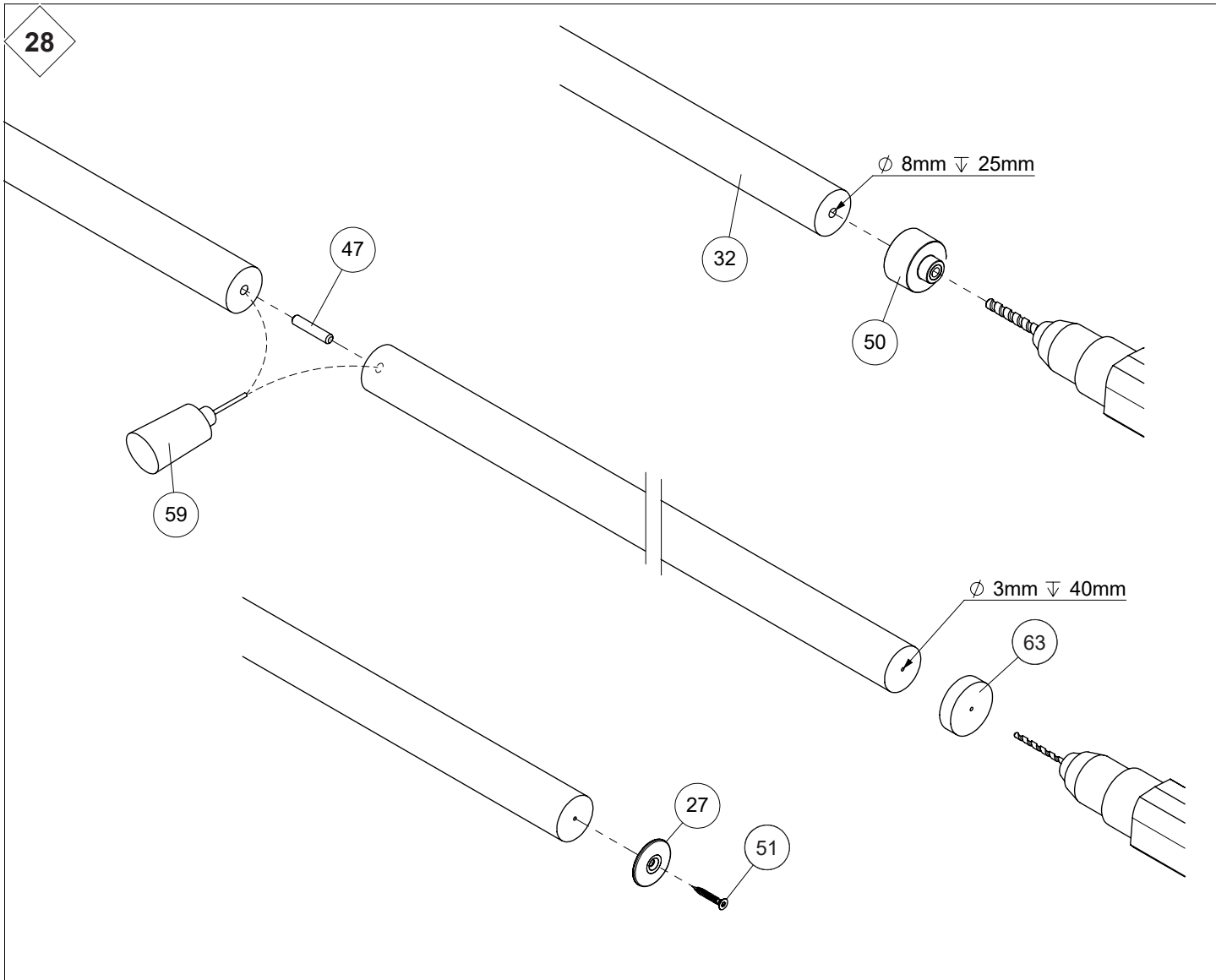
24



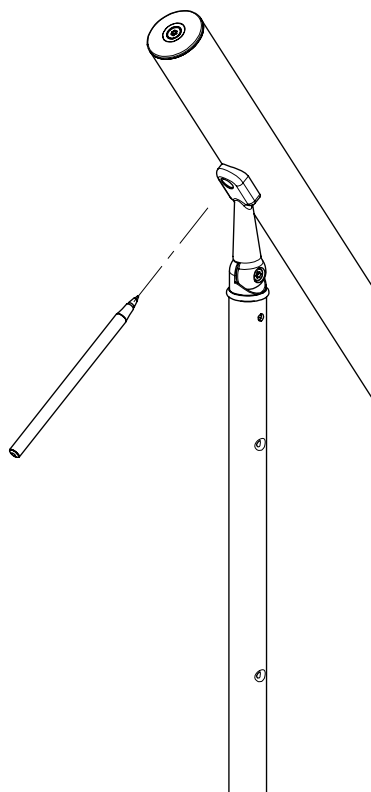
55



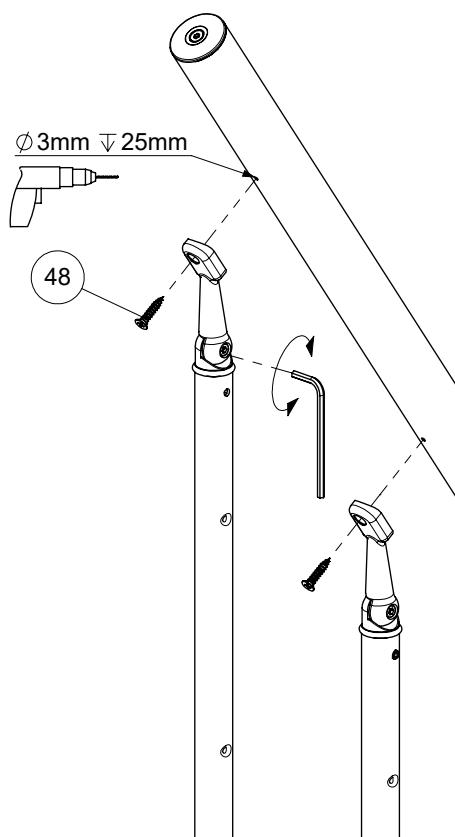
28



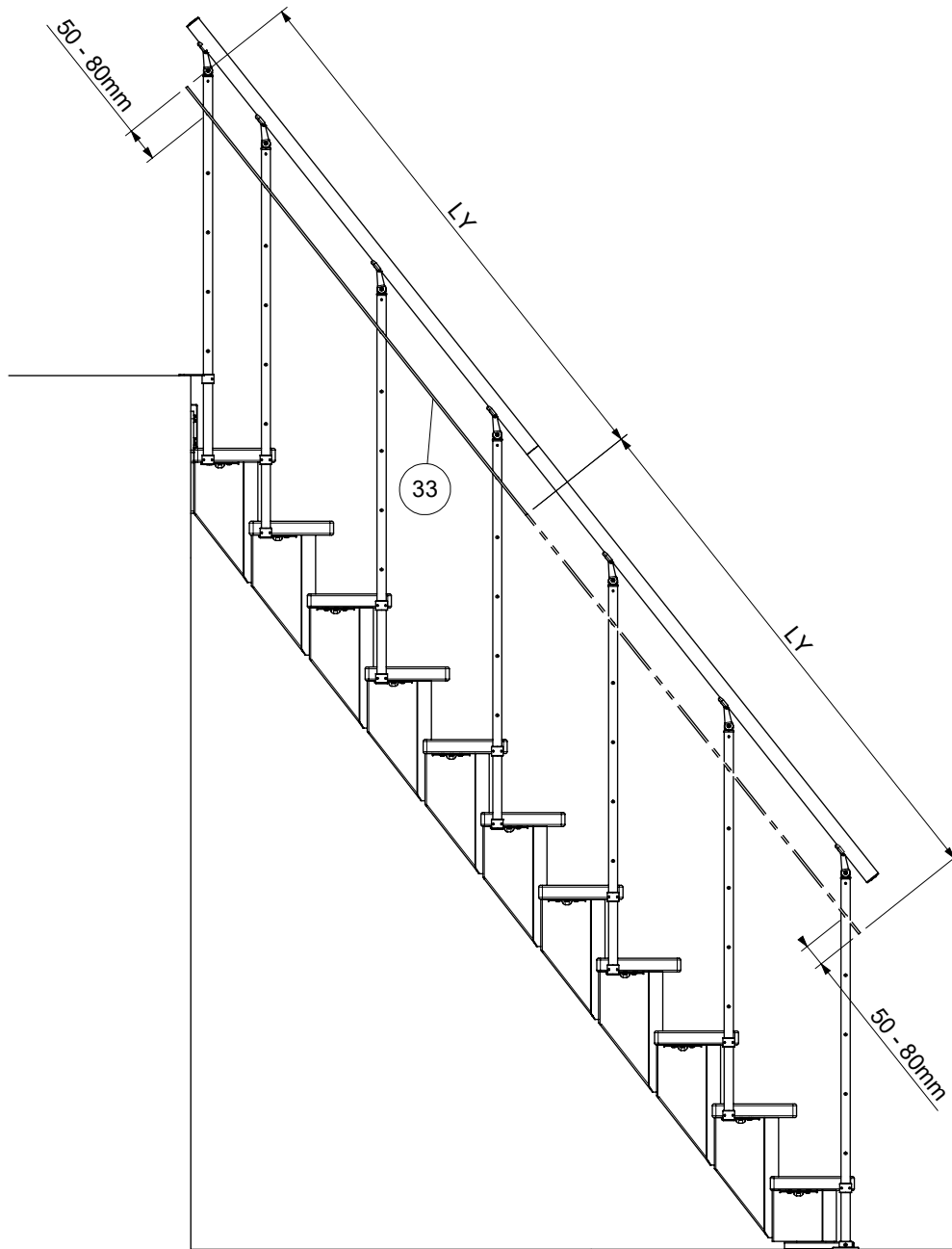
29a



29b



30



31

