

DOLLE[®]



CLASSIC II BANISTER

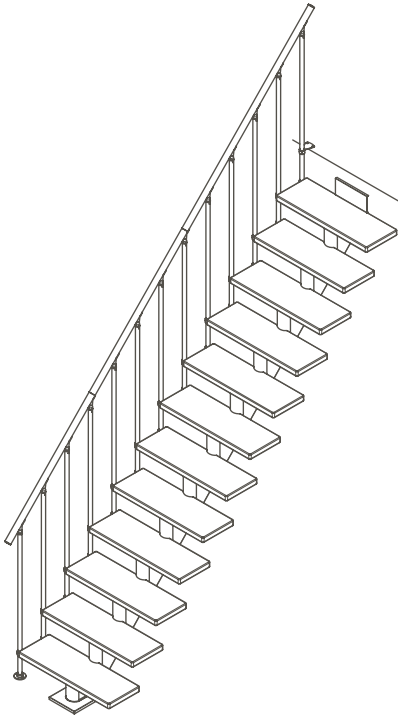
HAMBURG

**INSTRUCTION / MONTAGEANLEITUNG
INSTRUKTION / INSTRUCCION / INSTRUKCJA**

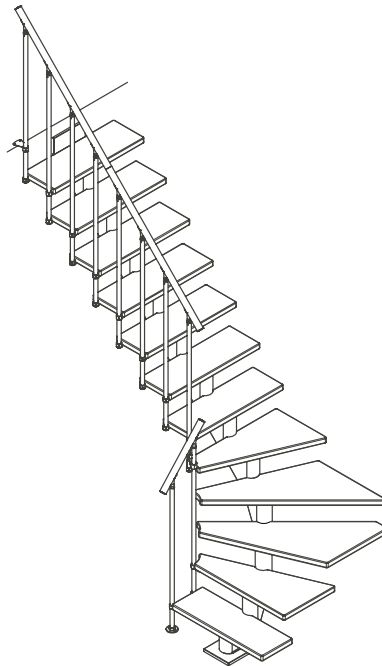
SOGEM[®]

PART OF DOLLE GROUP

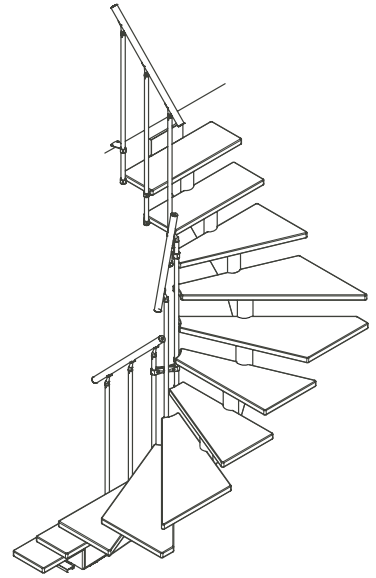
I



L



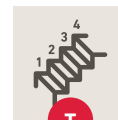
U



H



S



T

	Height floor-to-floor	Rise height	Number of treads
	Geschosshöhe	Steigungshöhe	Anzahl Stufen
	Hauteur sol-sol	Hauteur de marche	Nombre de marches
	Altura de suelo/suelo	Altura de peldaños	Numero de peldaños
	Altura do chão / chão	Altura do degrau	Número de etapas (degraus)
	Hoogte vloer/vloer	Hoogte trede	Aantal treden
	Etagehøjde	Stigningshøjde	Antal trin
	Golv till golv höjd	Stigningshöjd	Antal steg
	Wysokość kondygnacji od podłogi do podłogi	Wysokość stopnia	Ilość stopni
	Înălțime sol-sol	Înălțime treaptă	Număr trepte
	Výška patra podlaha-podlaha	Výška schodu	Počet nášlapů
	Высота от пола до пола	Шаг ступени	Кол-во ступеней
	Aukšto aukštis	Pakopos aukštis	Pakopų kiekis
	Stāva augstums	Pakāpiena augstums	Pakāpienu skaits
	Korruse kõrgus	Astme kõrgus	Astmete arv
	Višina nadstropja	Višina stopnice	Število stopnic
	Visina kata	Visina stepenice	Broj stepenica
	Výška podlažia	Výška stupňa	Počet stupňov

1

x 1
 K2-1077500 RAL 7016
 K2-1077501 RAL 9005
 K2-1077502 Pearl grey
 K2-1077503 RAL 9016

2

	11	12	13	14
x	9	10	11	12

K2-1077505 RAL 7016
 K2-1077506 RAL 9005
 K2-1077507 Pearl grey
 K2-1077508 RAL 9016

3

x 1
 K2-1077515 RAL 7016
 K2-1077516 RAL 9005
 K2-1077517 Pearl grey
 K2-1077518 RAL 9016

4

x 1
 K2-1077445 RAL 7016
 K2-1077446 RAL 9005
 K2-1077447 Pearl grey
 K2-1077448 RAL 9016

5

	11	12	13	14
x	10	11	12	13

H2-20505

6

	11	12	13	14
x	10	11	12	13

H2-20507

7

x 1
 K2-1077030 RAL 7016
 K2-1077031 RAL 9005
 K2-1077032 Pearl grey
 K2-1077033 RAL 9016

8

	11	12	13	14
x	I 24	24	26	28
	L 24	24	24	24
	U 24	24	24	24

K2-1077025 RAL 7016
 K2-1077026 RAL 9005
 K2-1077027 Pearl grey
 K2-1077028 RAL 9016

9

x 1
 K2-1077610 RAL 7016
 K2-1077611 RAL 9005
 K2-1077612 Pearl grey
 K2-1077613 RAL 9016

10

x 1
 K1-1077070 RAL 7016
 K1-1077071 RAL 9005
 K1-1077072 Pearl grey
 K1-1077073 RAL 9016

11

x 1
 K1-1077400 RAL 7016
 K1-1077401 RAL 9005
 K1-1077402 Pearl grey
 K1-1077403 RAL 9016

15

	11	12	13	14
x	I 12	12	13	14
	L 12	12	12	12
	U 12	12	12	12

K1-1077045 RAL 7016
 K1-1077046 RAL 9005
 K1-1077047 Pearl grey
 K1-1077048 RAL 9016

16

x 1
 K1-1077655 RAL 7016
 K1-1077656 RAL 9005
 K1-1077657 Pearl grey
 K1-1077658 RAL 9016

17

x 1
 K1-1077650 RAL 7016
 K1-1077656 RAL 9005
 K1-1077657 Pearl grey
 K1-1077658 RAL 9016

20

x 1
 M2-1078400 Beech / Buche / Beuken / Hêtre / Bøg
 M2-1078310 Oak / Eiche / Bijv / Chêne / Eg
 M2-1078320 Oak white / Eiche weiß / Bijv wt / Chêne blanc / Eg hvid

21

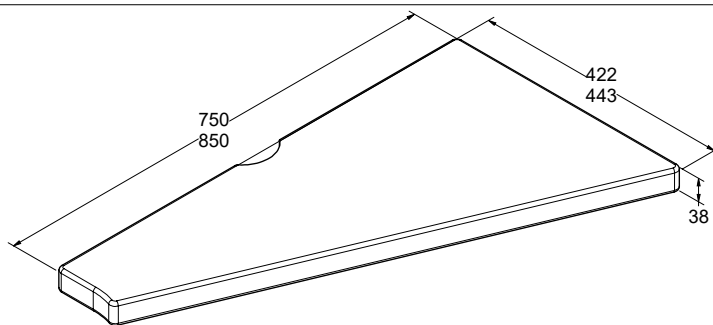
	11	12	13	14
x	I 10	11	12	13
	L 6	7	8	9
	U 2	3	4	5

M2-1078401 Beech / Buche / Beuken / Hêtre / Bøg
 M2-1078302 Oak / Eiche / Bijv / Chêne / Eg
 M2-1078303 Oak white / Eiche weiß / Bijv wt / Chêne blanc / Eg hvid

25

	I	0
x	L	1
	U	2

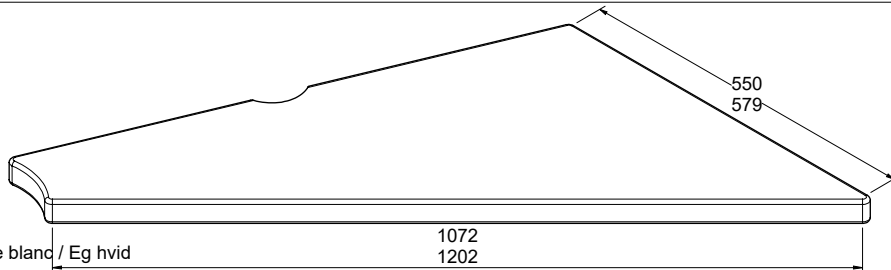
M2-1078409 750 mm Beech / Buche / Beuk / Hêtre / Bøg
 M2-1078419 750 mm Oak / Eiche / Eik / Chêne / Eg
 M2-1078429 750 mm Oak white / Eiche weiss / Eik wit / Chêne blanc / Eg hvid
 M2-1078459 850 mm Beech / Buche / Beuk / Hêtre / Bøg
 M2-1078469 850 mm Oak / Eiche / Eik / Chêne / Eg
 M2-1078479 850 mm Oak white / Eiche weiss / Eik wit / Chêne blanc / Eg hvid



24

	I	0
x	L	1
	U	2

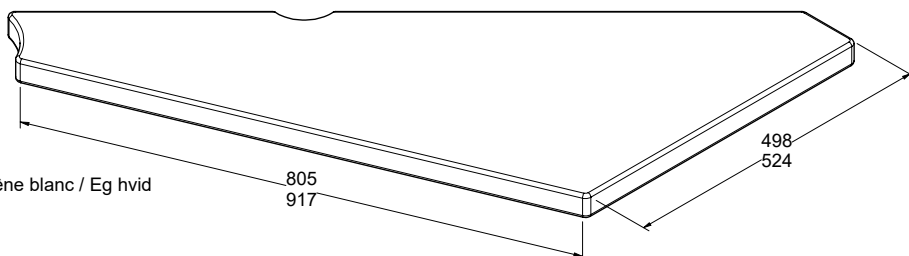
M2-1078408 750 mm Beech / Buche / Beuk / Hêtre / Bøg
 M2-1078418 750 mm Oak / Eiche / Eik / Chêne / Eg
 M2-1078428 750 mm Oak white / Eiche weiss / Eik wit / Chêne blanc / Eg hvid
 M2-1078458 850 mm Beech / Buche / Beuk / Hêtre / Bøg
 M2-1078468 850 mm Oak / Eiche / Eik / Chêne / Eg
 M2-1078478 850 mm Oak white / Eiche weiss / Eik wit / Chêne blanc / Eg hvid



23

	I	0
x	L	1
	U	2

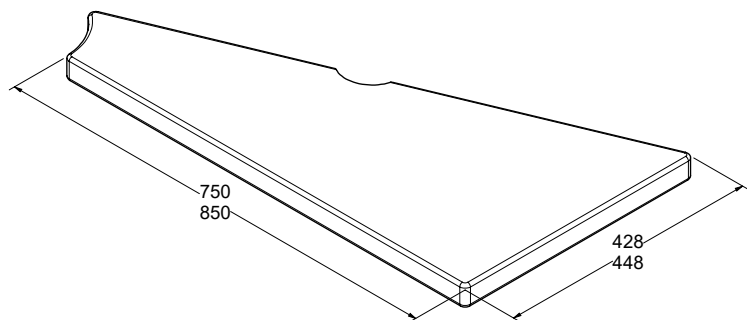
M2-1078407 750 mm Beech / Buche / Beuk / Hêtre / Bøg
 M2-1078417 750 mm Oak / Eiche / Eik / Chêne / Eg
 M2-1078427 750 mm Oak white / Eiche weiss / Eik wit / Chêne blanc / Eg hvid
 M2-1078457 850 mm Beech / Buche / Beuk / Hêtre / Bøg
 M2-1078467 850 mm Oak / Eiche / Eik / Chêne / Eg
 M2-1078477 850 mm Oak white / Eiche weiss / Eik wit / Chêne blanc / Eg hvid



22

	I	0
x	L	1
	U	2

M2-1078406 750 mm Beech / Buche / Beuk / Hêtre / Bøg
 M2-1078416 750 mm Oak / Eiche / Eik / Chêne / Eg
 M2-1078426 750 mm Oak white / Eiche weiss / Eik wit / Chêne blanc / Eg hvid
 M2-1078456 850 mm Beech / Buche / Beuk / Hêtre / Bøg
 M2-1078466 850 mm Oak / Eiche / Eik / Chêne / Eg
 M2-1078476 850 mm Oak white / Eiche weiss / Eik wit / Chêne blanc / Eg hvid



27

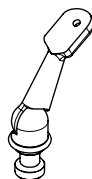


x 6
 K1-1077150 RAL 7016
 K1-1077151 RAL 9005
 K1-1077152 Pearl grey
 K1-1077153 RAL 9016

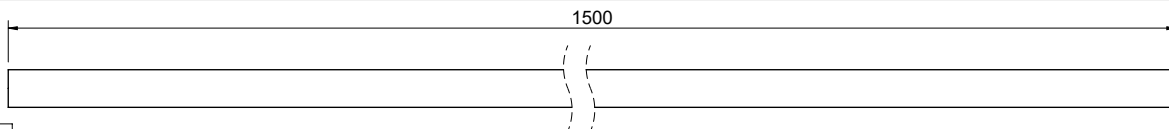
28

		11	12	13	14
x	I	13	13	14	15
	L	13	13	13	13
	U	13	13	13	13

K2-1077195 RAL 7016
 K2-1077196 RAL 9005
 K2-1077197 Pearl grey
 K2-1077198 RAL 9016



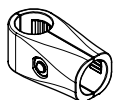
32



		11	12	13	14
x	I	3	3	3	3
	L	2	2	3	3
	U	2	2	2	2

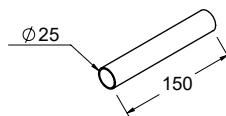
M2-1078905 Beech / Buche / Beuken / Hêter / Bøg
 M2-1078915 Oak / Eiche / Bijv / Chêne / Eg
 M2-1078917 Oak white / Eiche weiß / Bijv wit / Chêne blanc / Eg hvid

34



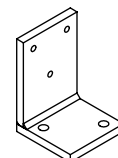
x 4
 K2-1077170 RAL 7016
 K2-1077171 RAL 9005
 K2-1077172 Pearl grey
 K2-1077173 RAL 9016

35

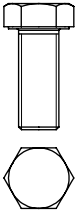
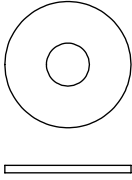


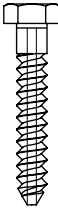


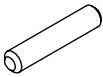

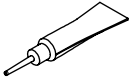
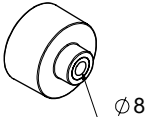






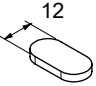

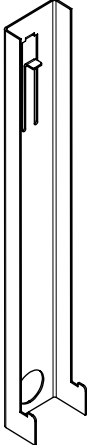
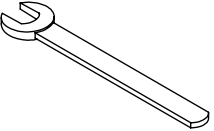
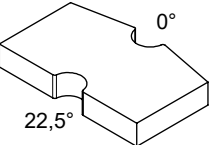
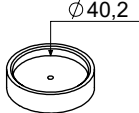
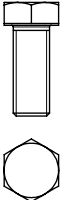




x 2
 K1-1077165 RAL 7016
 K1-1077166 RAL 9005
 K1-1077167 Pearl grey
 K1-1077168 RAL 9016

36

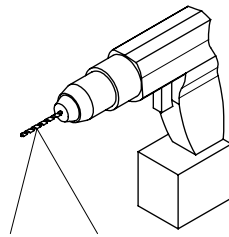
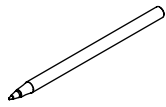


x 4
 K1-1077295 RAL 7016
 K1-1077296 RAL 9005
 K1-1077297 Pearl grey
 K1-1077298 RAL 9016

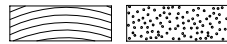
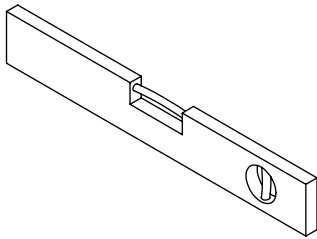
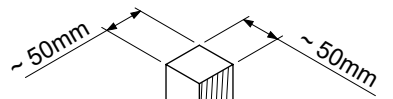
<p>37</p> <table border="1"> <tr><td></td><td>11</td><td>12</td><td>13</td><td>14</td></tr> <tr><td>x</td><td>11</td><td>12</td><td>13</td><td>14</td></tr> </table> <p>R1-63500 M16 x 40</p> 		11	12	13	14	x	11	12	13	14	<p>38</p> <table border="1"> <tr><td></td><td>11</td><td>12</td><td>13</td><td>14</td></tr> <tr><td>x</td><td>10</td><td>11</td><td>12</td><td>13</td></tr> </table> <p>K3-04053 Ø50 / Ø17</p> 		11	12	13	14	x	10	11	12	13	<p>40</p> <p>x 17 K3-08001 Ø12 x 60</p> 											
	11	12	13	14																													
x	11	12	13	14																													
	11	12	13	14																													
x	10	11	12	13																													
<p>41</p> <p>x 17 K3-04001 Ø10</p> 	<p>42</p> <p>x 17 K3-06003 Ø10 x 60</p> 	<p>44</p> <table border="1"> <tr><td></td><td>11</td><td>12</td><td>13</td><td>14</td></tr> <tr><td>x</td><td>100</td><td>106</td><td>112</td><td>118</td></tr> </table> <p>R1-63267 Ø6 x 35 TX30</p> 		11	12	13	14	x	100	106	112	118	<p>45</p> <table border="1"> <tr><td></td><td>11</td><td>12</td><td>13</td><td>14</td></tr> <tr><td>I</td><td>13</td><td>13</td><td>14</td><td>15</td></tr> <tr><td>L</td><td>13</td><td>13</td><td>13</td><td>13</td></tr> <tr><td>U</td><td>13</td><td>13</td><td>13</td><td>13</td></tr> </table> <p>K3-05002 M6 x 8</p> 		11	12	13	14	I	13	13	14	15	L	13	13	13	13	U	13	13	13	13
	11	12	13	14																													
x	100	106	112	118																													
	11	12	13	14																													
I	13	13	14	15																													
L	13	13	13	13																													
U	13	13	13	13																													
<p>47</p> <p>x 8 R3-91415 Ø8 x 40</p> 	<p>48</p> <table border="1"> <tr><td></td><td>11</td><td>12</td><td>13</td><td>14</td></tr> <tr><td>I</td><td>13</td><td>13</td><td>14</td><td>15</td></tr> <tr><td>L</td><td>13</td><td>13</td><td>13</td><td>13</td></tr> <tr><td>U</td><td>13</td><td>13</td><td>13</td><td>13</td></tr> </table> <p>K3-06008 Ø5 x 25</p> 		11	12	13	14	I	13	13	14	15	L	13	13	13	13	U	13	13	13	13	<p>49</p> <p>x 1 K3-90001</p> <p>Strong glue Superkleber Seconde lijm Colle forte Superlim</p> 	<p>50</p> <p>x 1 K1-01810</p> 										
	11	12	13	14																													
I	13	13	14	15																													
L	13	13	13	13																													
U	13	13	13	13																													
<p>51</p> <p>x 2 K3-06022 Ø5 x 35 TX25</p> 	<p>52</p> <table border="1"> <tr><td></td><td>11</td><td>12</td><td>13</td><td>14</td></tr> <tr><td>I</td><td>48</td><td>48</td><td>52</td><td>56</td></tr> <tr><td>L</td><td>48</td><td>48</td><td>48</td><td>48</td></tr> <tr><td>U</td><td>48</td><td>48</td><td>48</td><td>48</td></tr> </table> <p>K3-06130 Ø6 x 30 TX30</p> 		11	12	13	14	I	48	48	52	56	L	48	48	48	48	U	48	48	48	48	<p>53</p> <p>x 4 K3-06027 Ø5 x 50</p> 	<p>54</p> <p>x 4 K3-08002 Ø8 x 40</p> 										
	11	12	13	14																													
I	48	48	52	56																													
L	48	48	48	48																													
U	48	48	48	48																													
<p>55</p> <table border="1"> <tr><td></td><td>11</td><td>12</td><td>13</td><td>14</td></tr> <tr><td>I</td><td>50</td><td>50</td><td>54</td><td>58</td></tr> <tr><td>L</td><td>50</td><td>50</td><td>50</td><td>50</td></tr> <tr><td>U</td><td>50</td><td>50</td><td>50</td><td>50</td></tr> </table> <p>K3-05056 M6 x 5</p> 		11	12	13	14	I	50	50	54	58	L	50	50	50	50	U	50	50	50	50	<p>56</p> <p>x 2 K3-08006 Ø6 x 40</p> 	<p>58</p> <p>x 8 R3-20590</p> 	<p>59</p> <p>x 1 K3-90005</p> <p>Wood glue Holzkleber Colle à bois Trælim Houtlijm</p> 										
	11	12	13	14																													
I	50	50	54	58																													
L	50	50	50	50																													
U	50	50	50	50																													
<p>60</p> <p>x 1 H2-63530</p> 	<p>61</p> <p>x 1 R1-63501 24 mm</p> 	<p>62</p> <p>x 1 H3-35920</p> 	<p>63</p> <p>x 1 K1-01620</p> 																														
<p>64</p> <p>x 2 K-02512 M12 x 30</p> 	<p>65</p> <p>x 2 K3-04092 Ø12</p> 	<p>66</p> <p>x 2 K3-04032 Ø12</p> 																															



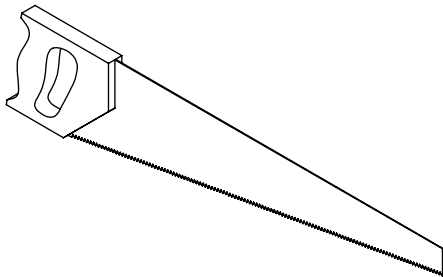
Tools not included!
Werkzeuge nicht enthalten!
Gereedschap niet inbegrepen!
Outils non inclus!
Værktøj ikke inkluderet!



TX25
TX30
PZ2



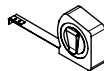
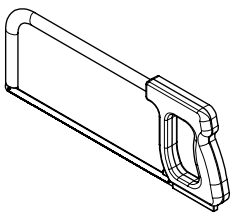
∅ 3mm ∅ 6mm
∅ 4mm ∅ 12mm
∅ 6mm
∅ 8mm
∅ 10mm



3mm
4mm
6mm



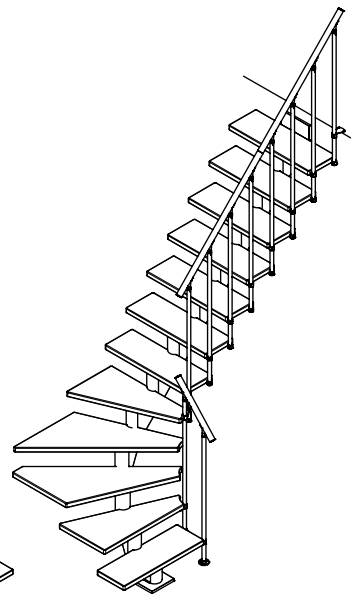
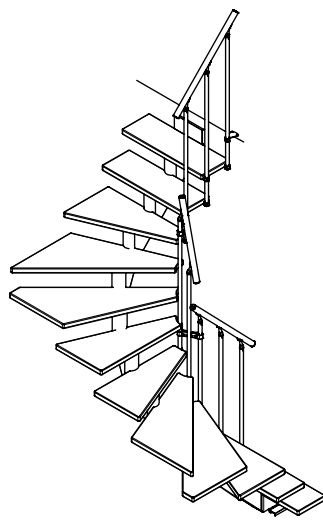
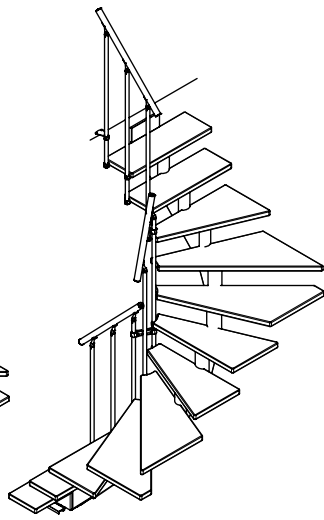
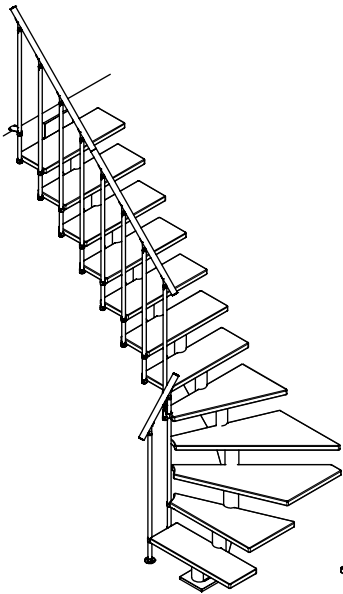
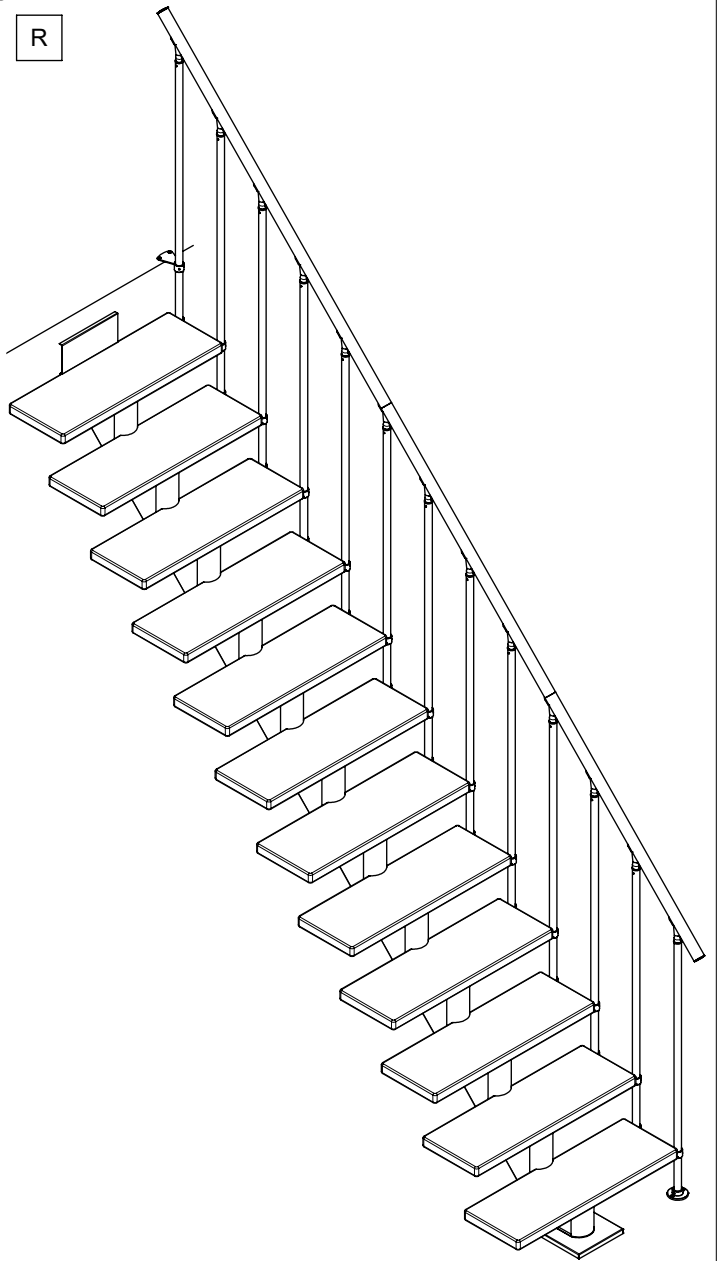
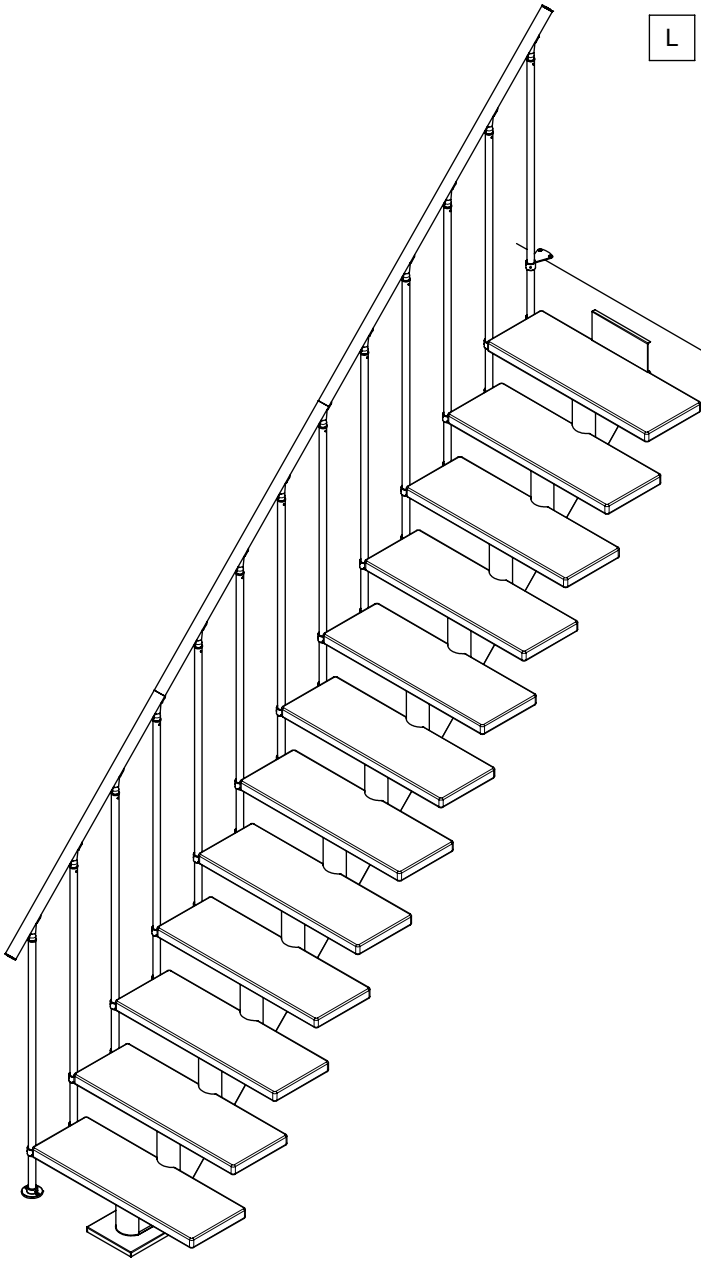
16mm
18mm

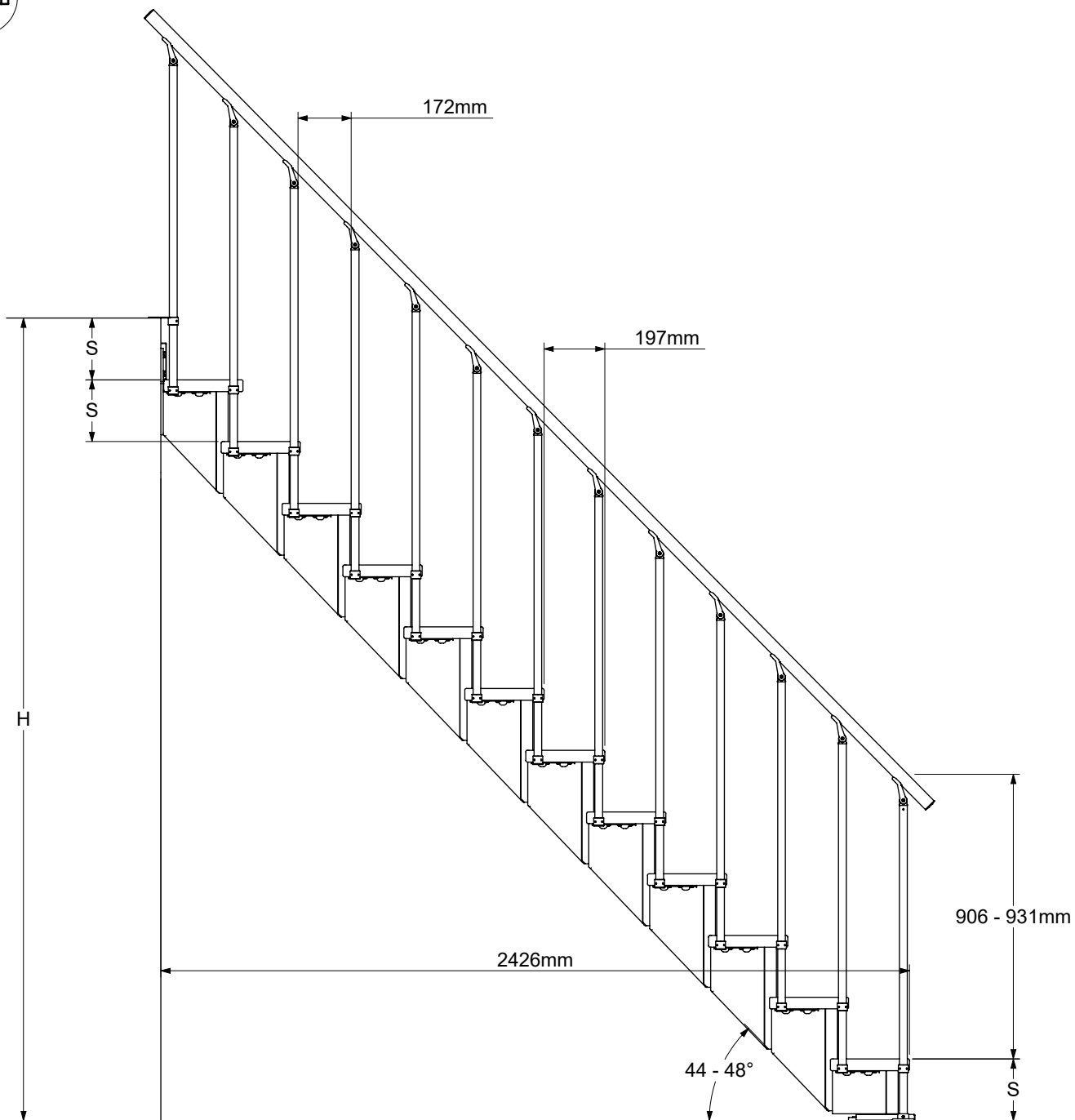




L

R





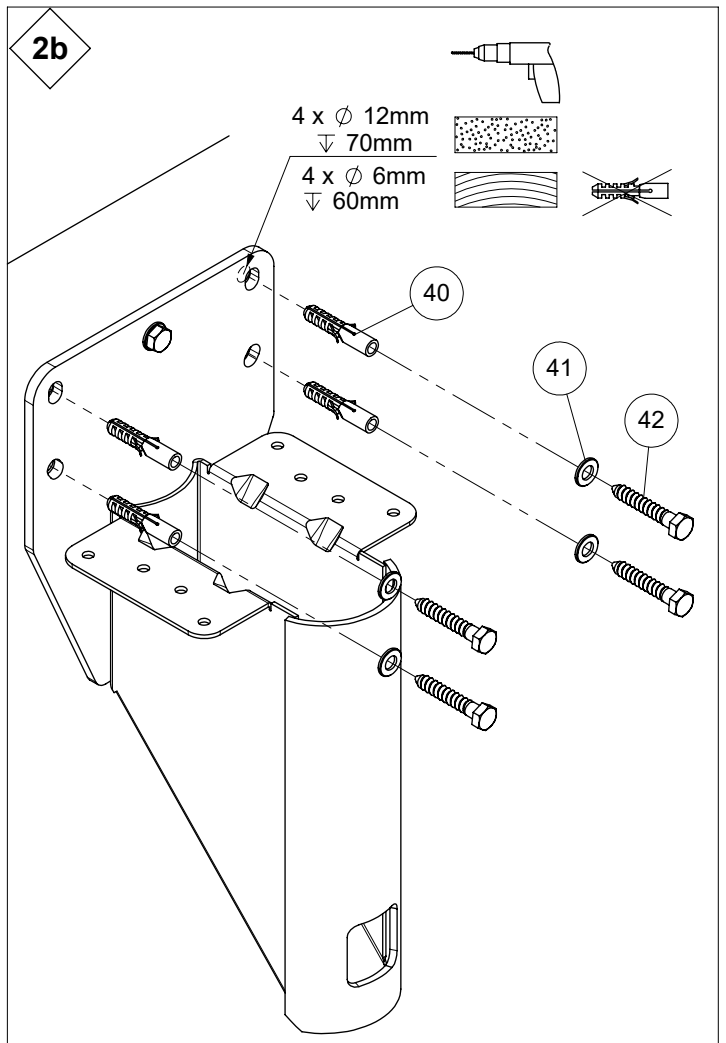
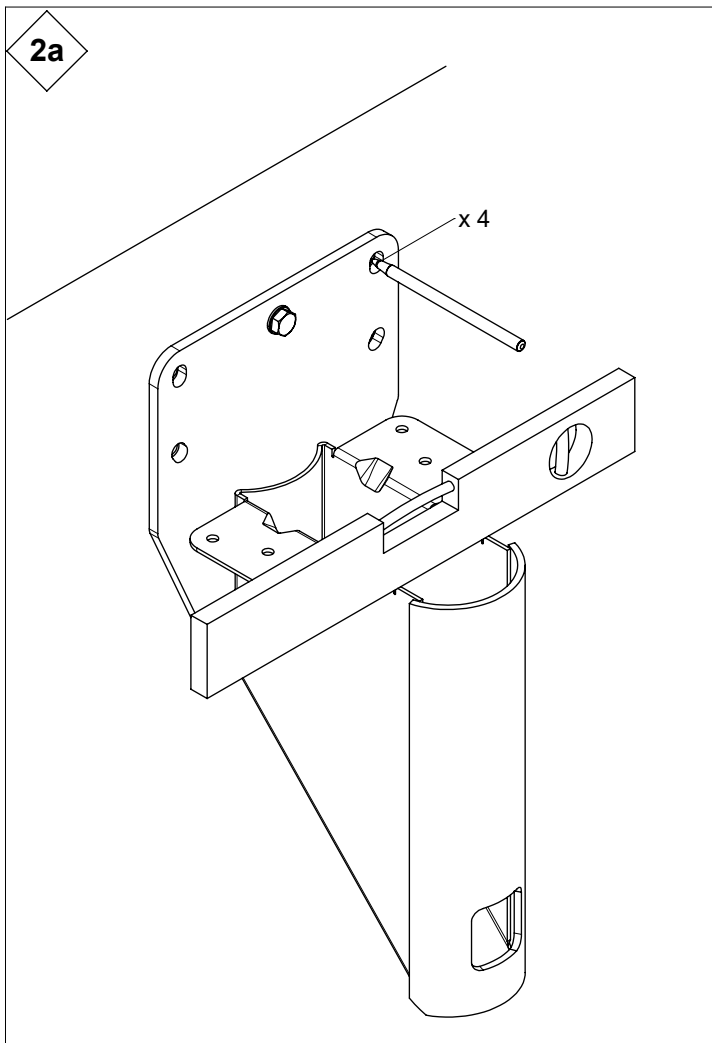
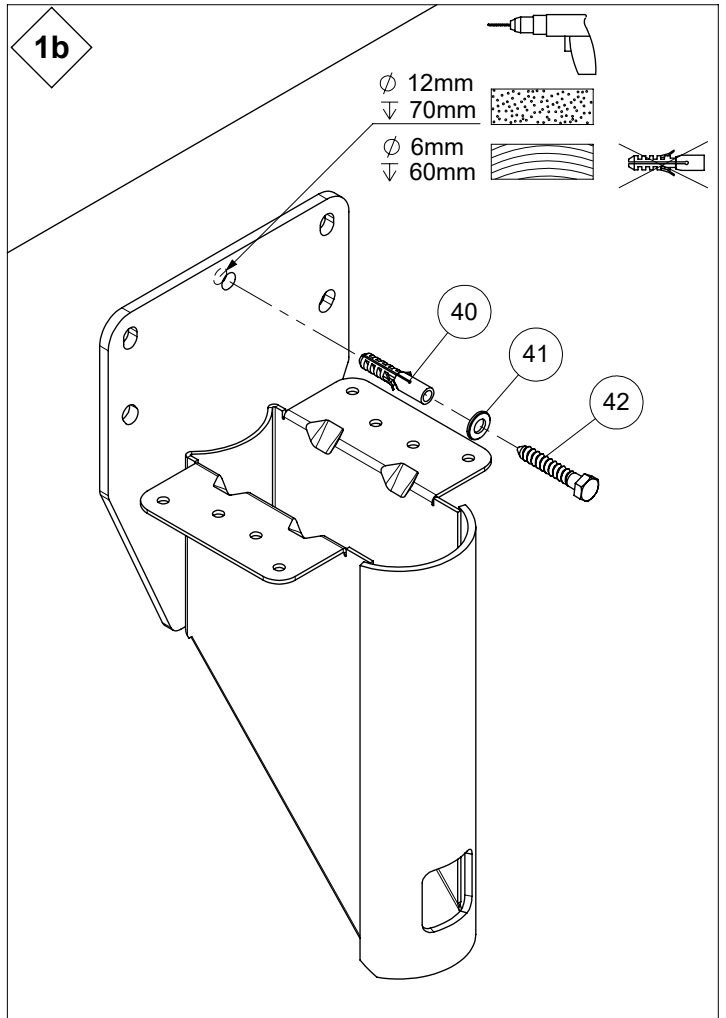
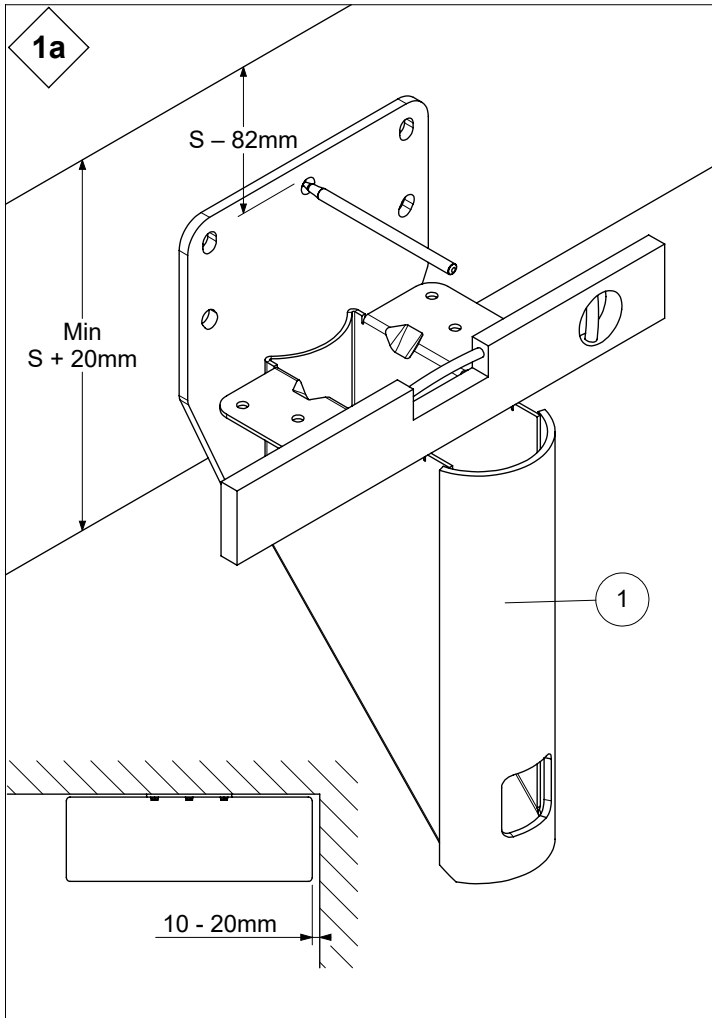
$$S = \frac{H}{T + 1}$$

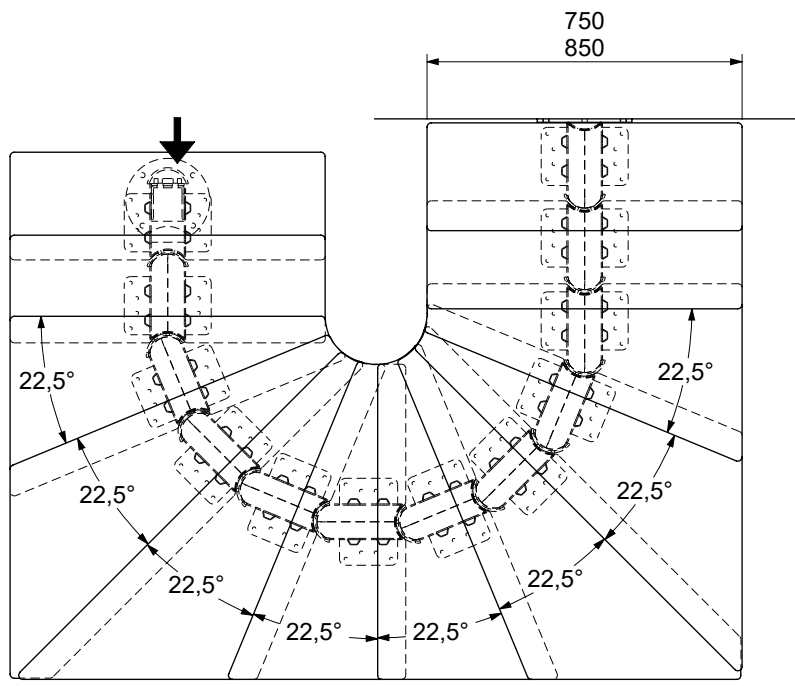
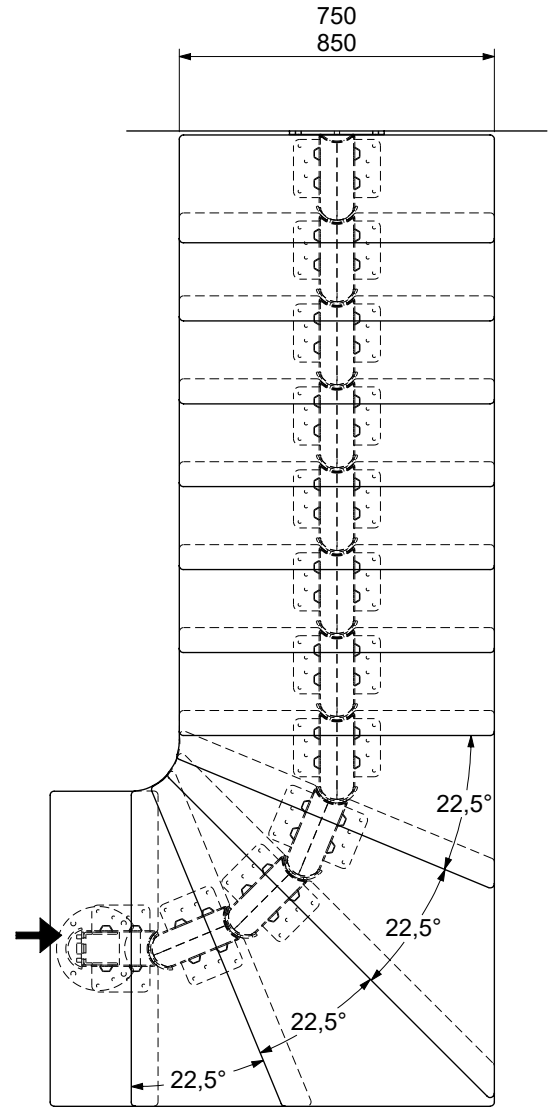
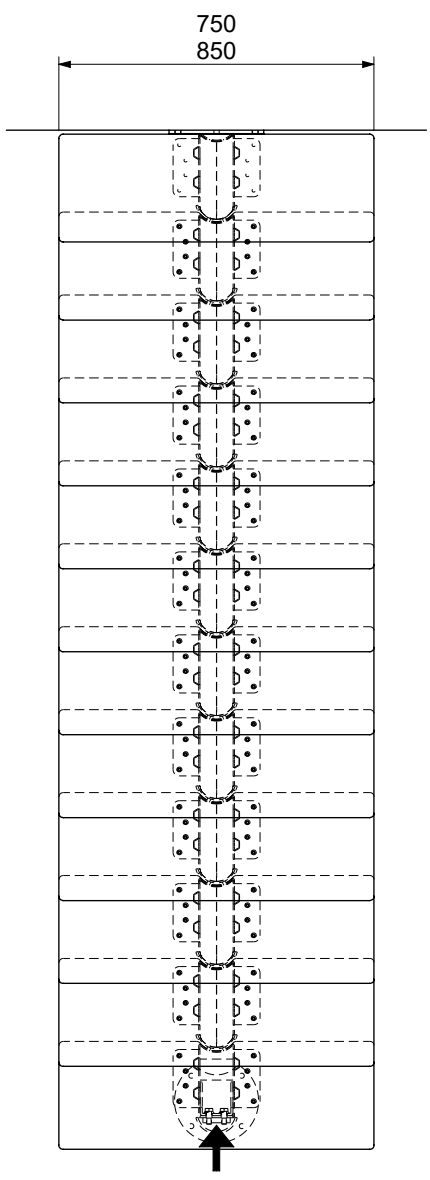
min S	max S
185 mm	215 mm

Example / Beispiel / Voorbeeld / Example / Eksempel:
 H: 2400 mm, T: 11 st(pcs)

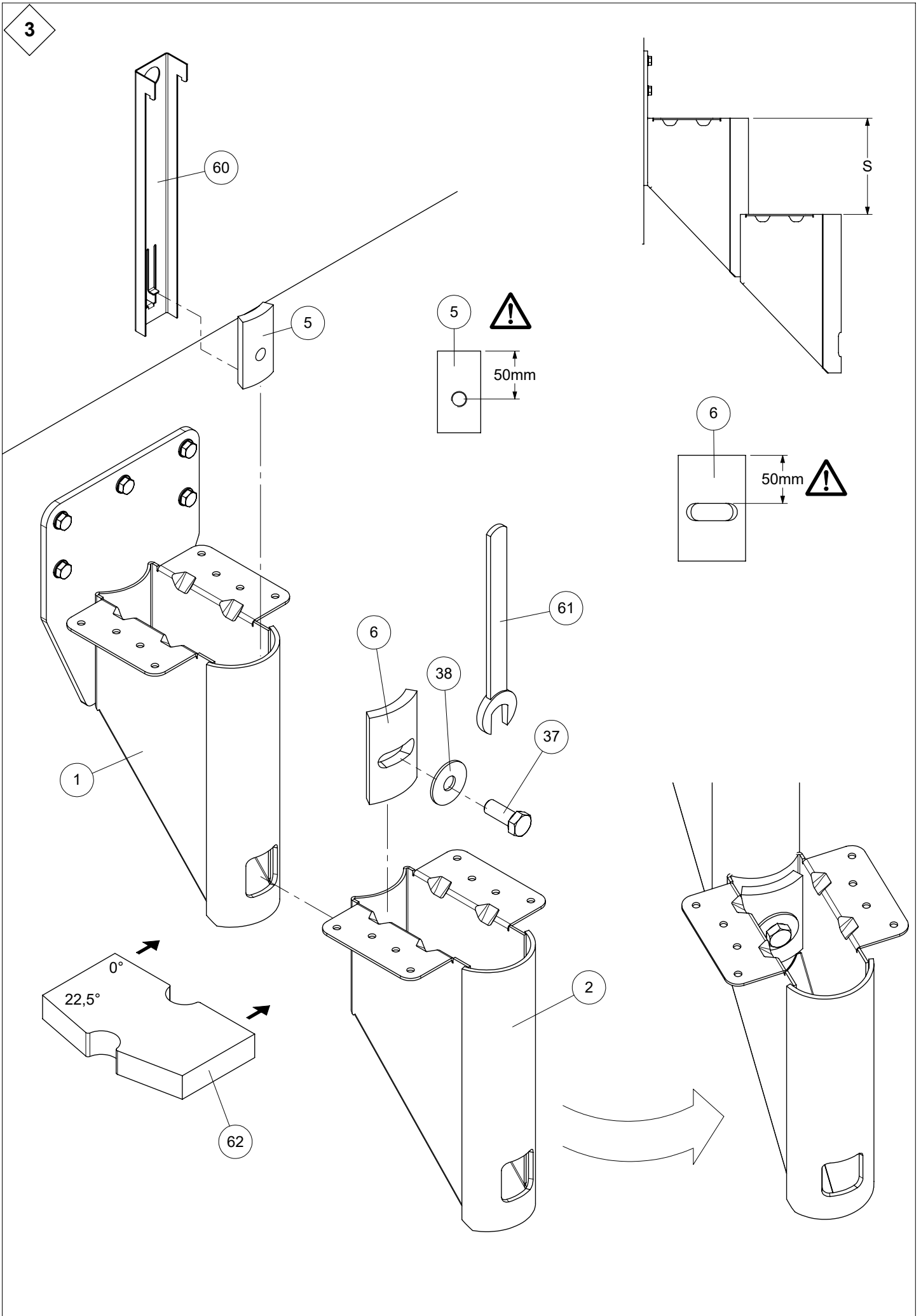
$$S = \frac{2400 \text{ mm}}{11 + 1} = 200 \text{ mm} \quad \text{👍}$$

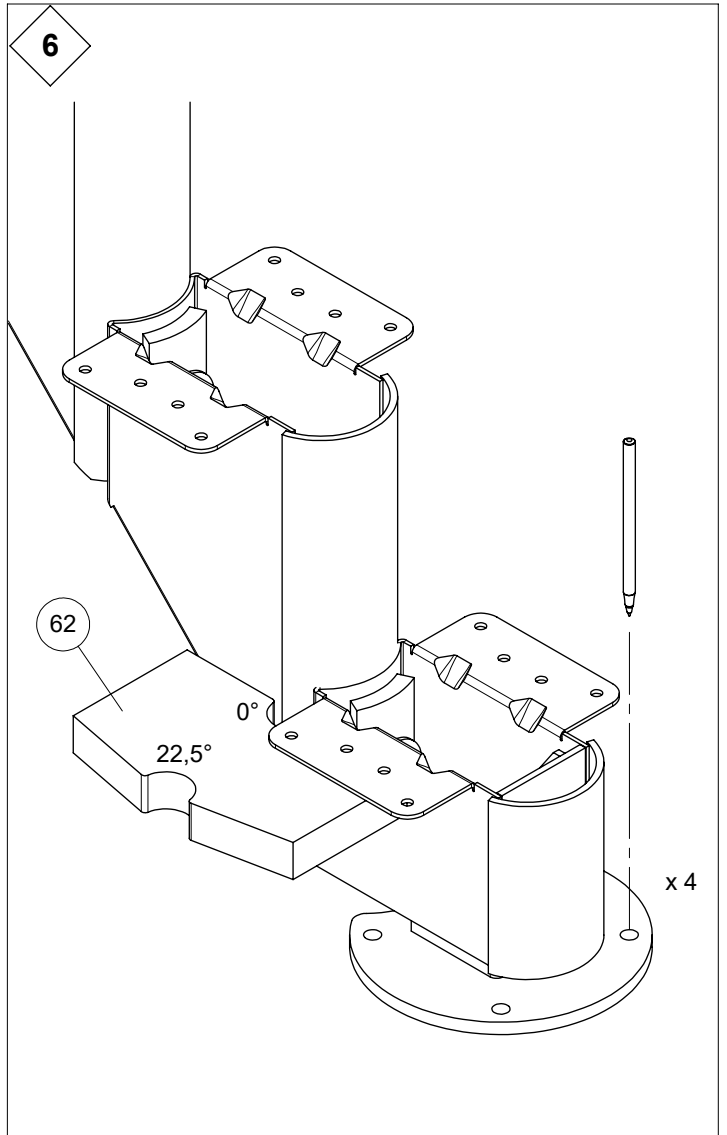
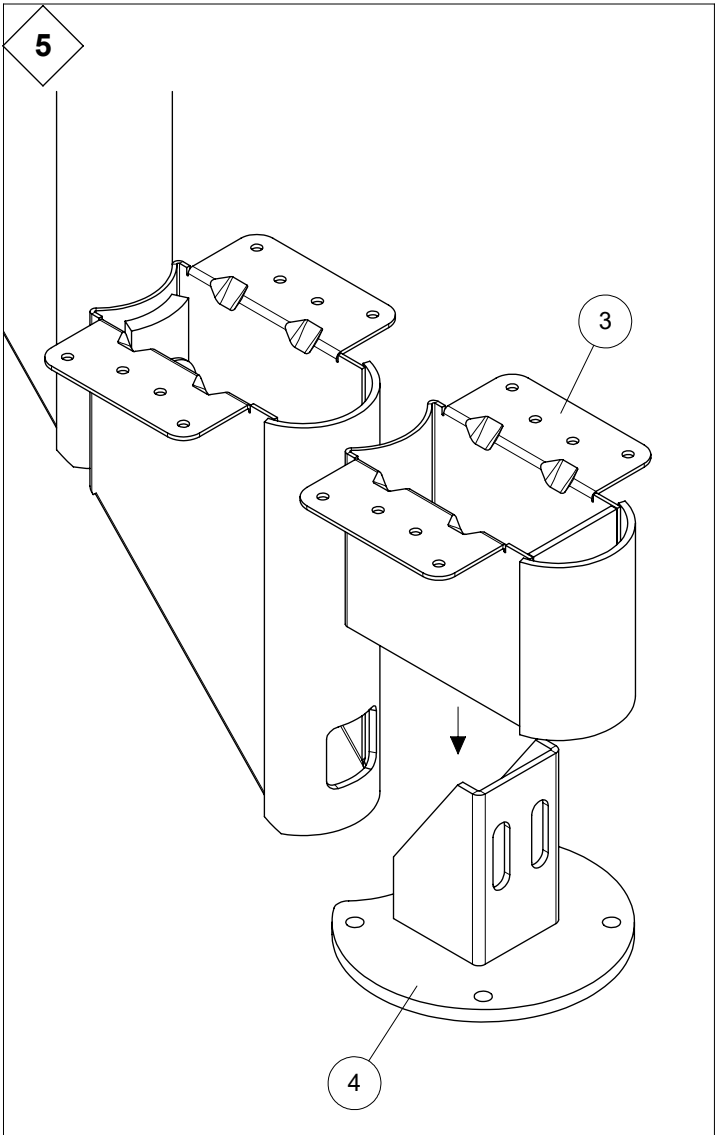
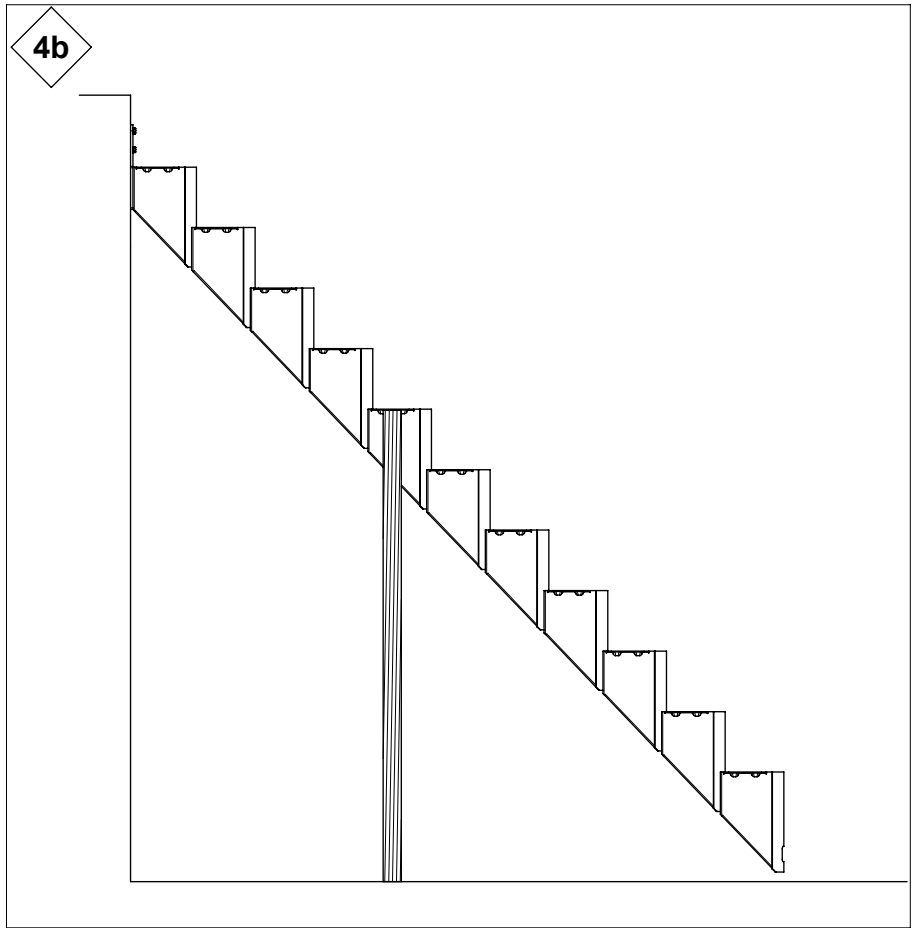
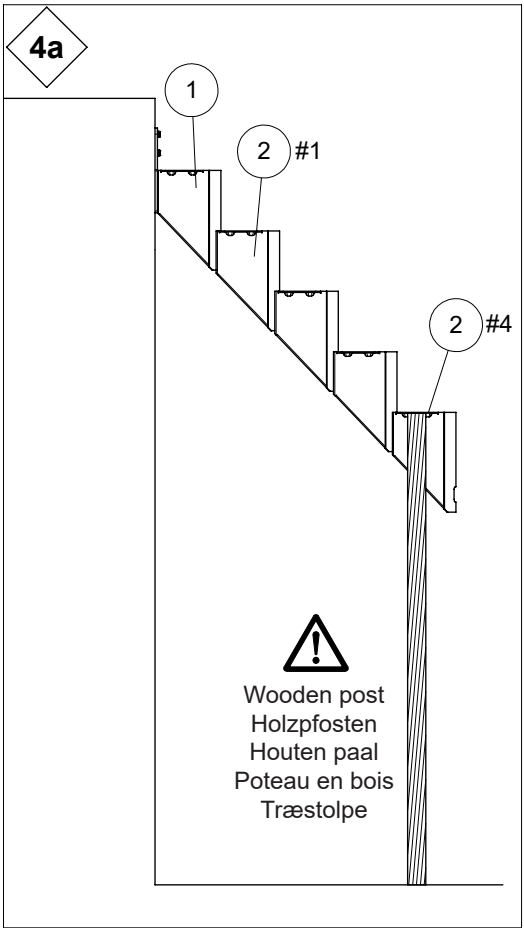
T	min H	max H
9	1850 mm	2150 mm
10	2035 mm	2365 mm
11	2220 mm	2580 mm
12	2405 mm	2795 mm
13	2590 mm	3010 mm
14	2775 mm	3225 mm



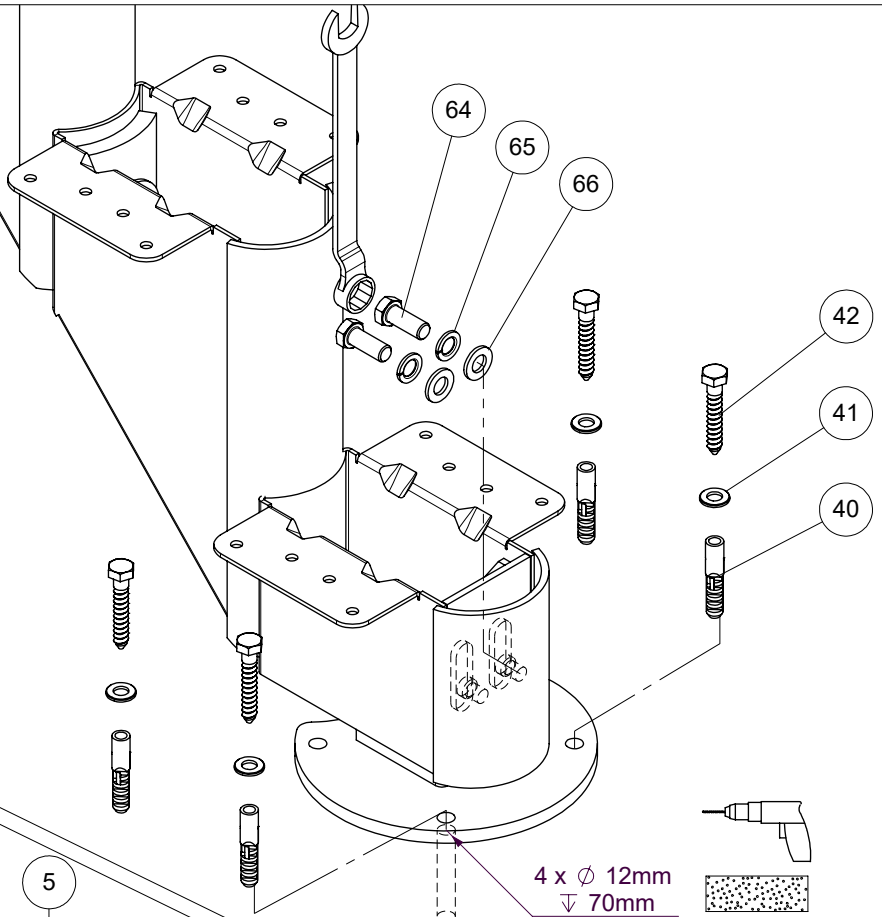
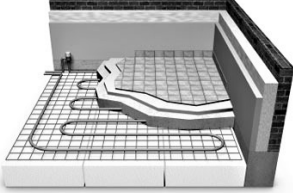


3

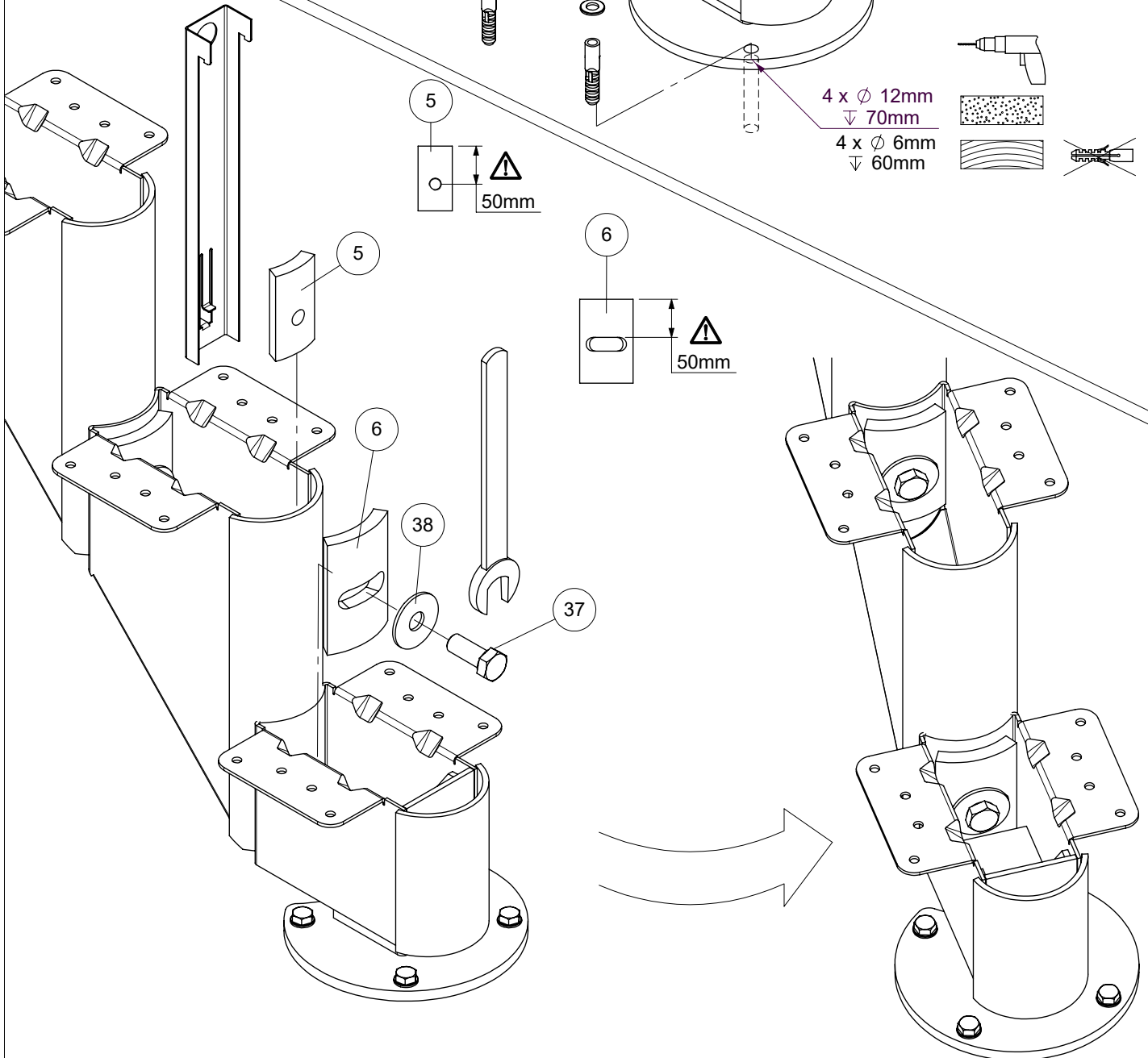


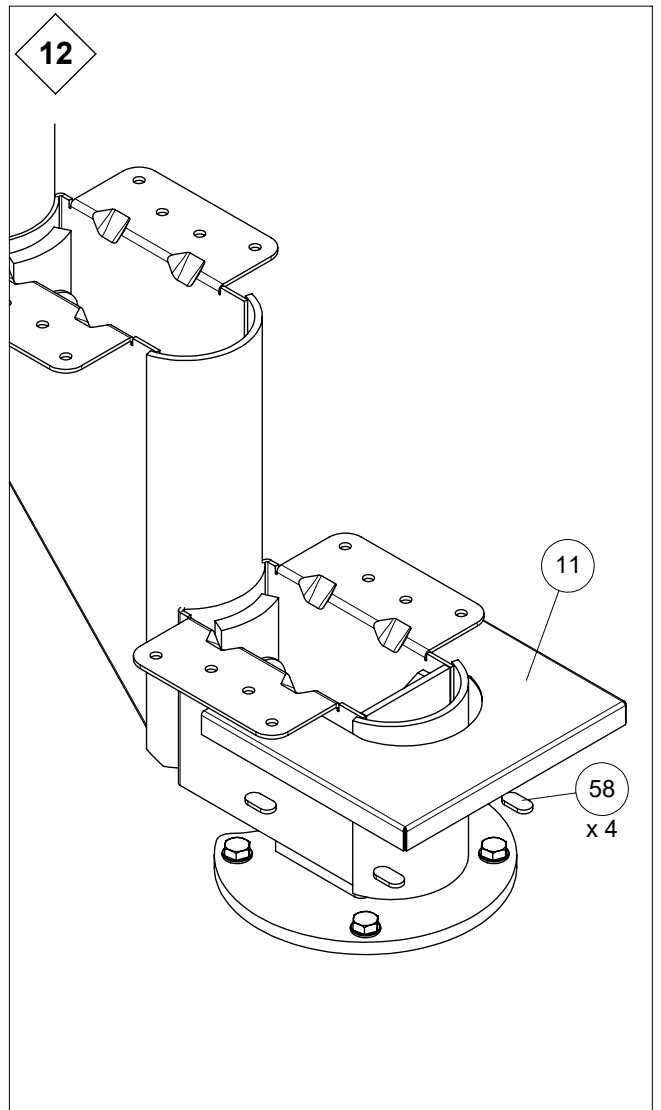
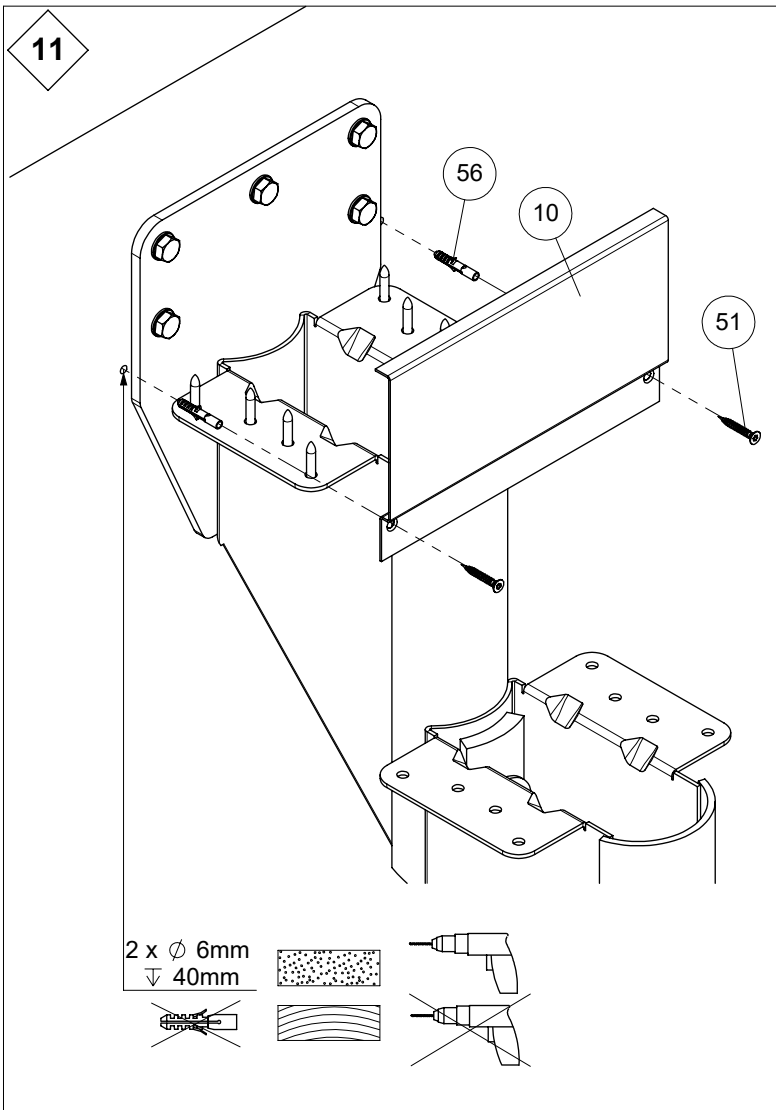
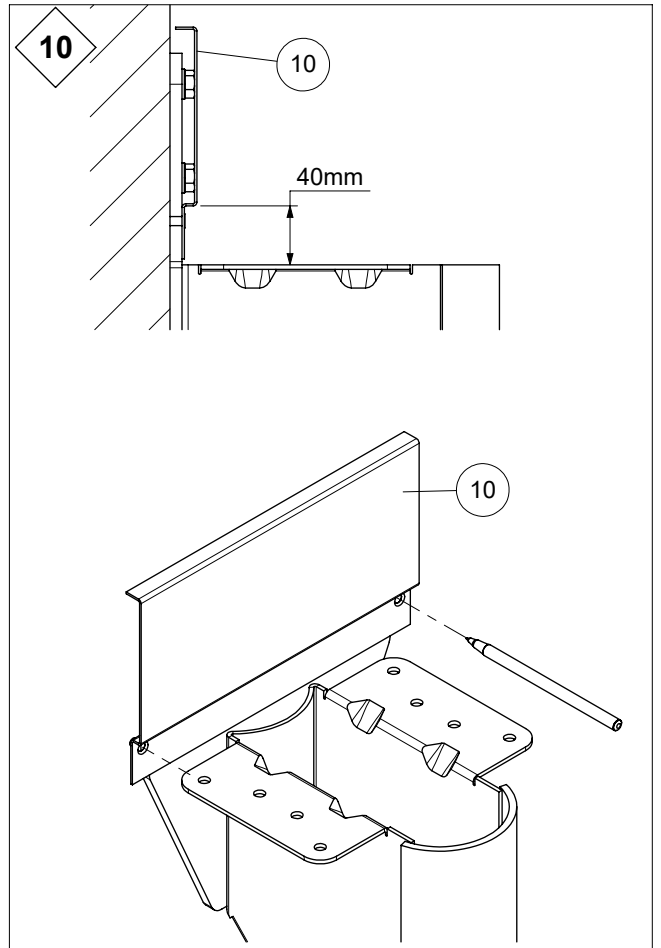
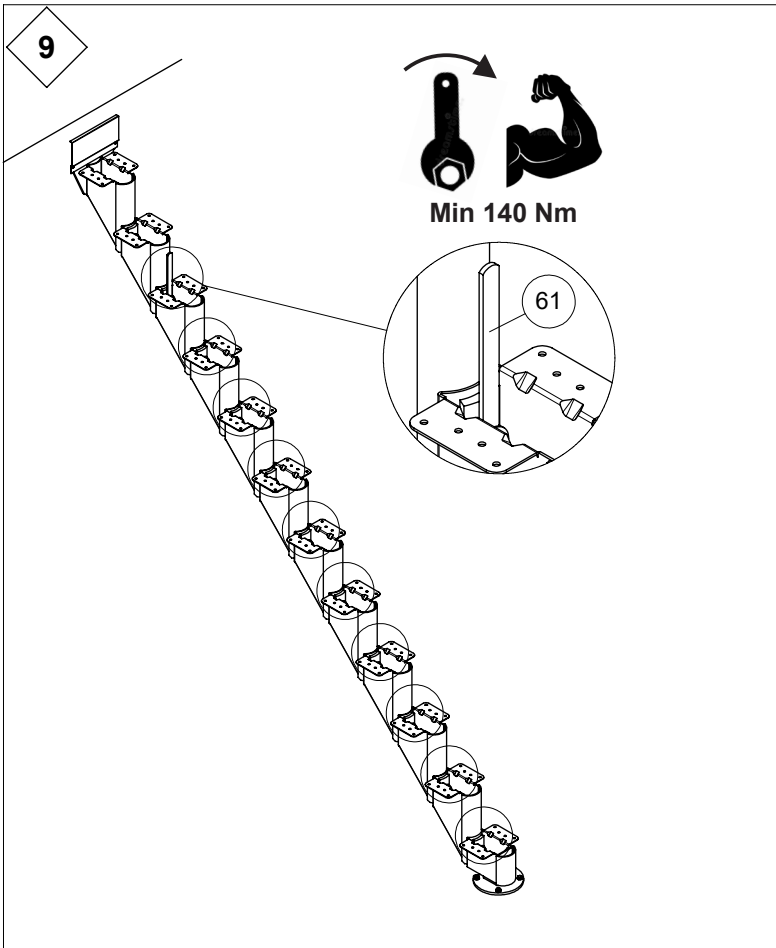


7

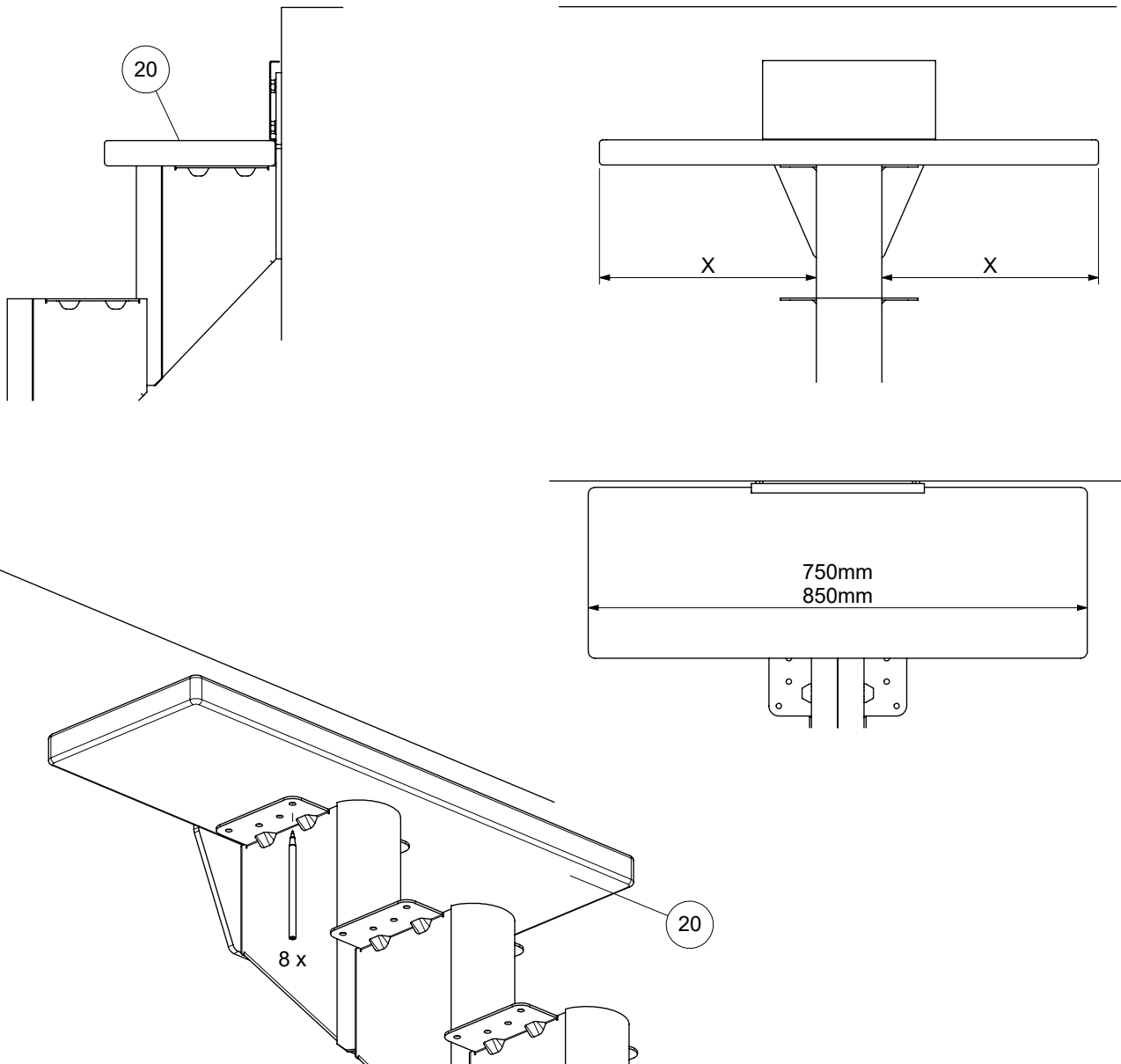


8

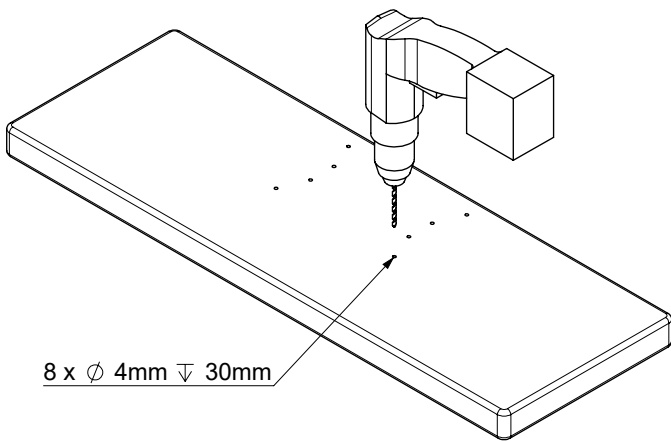




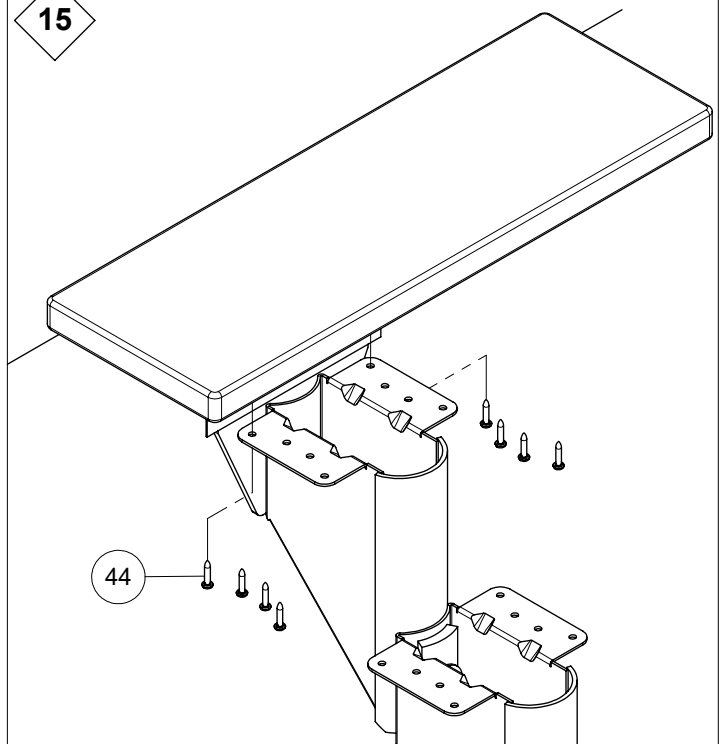
13

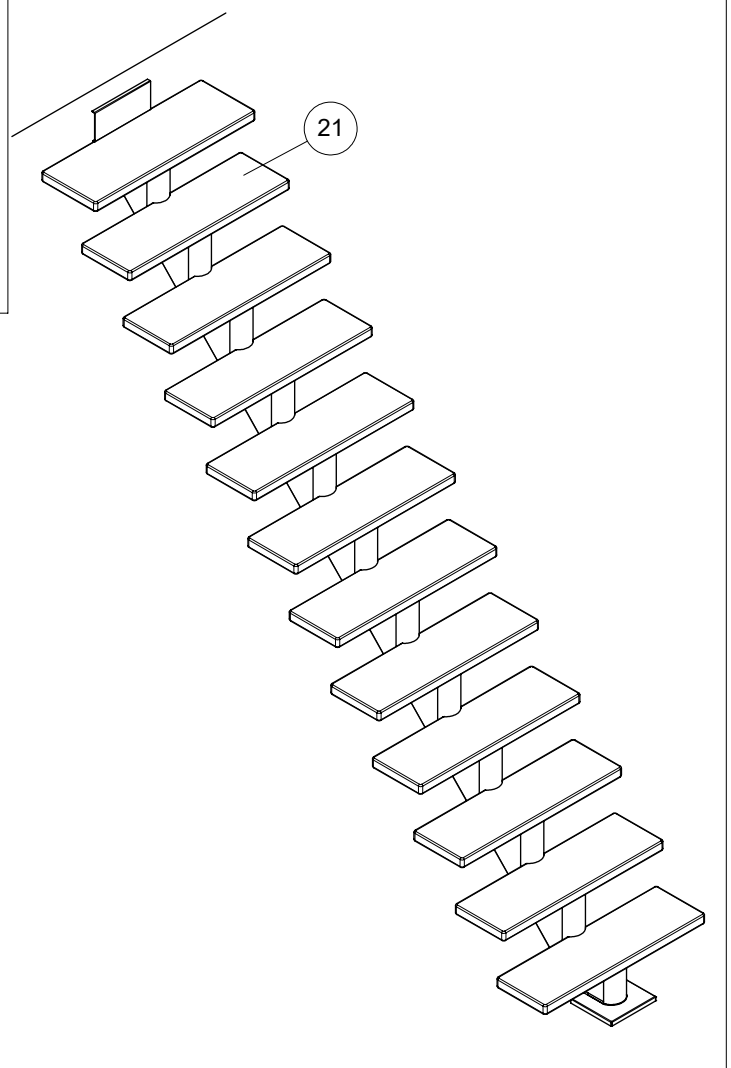
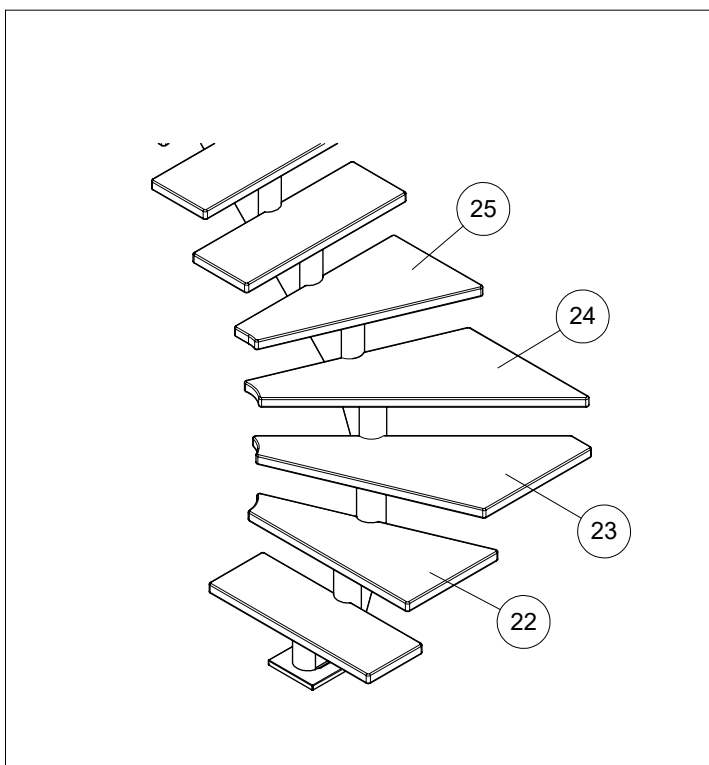
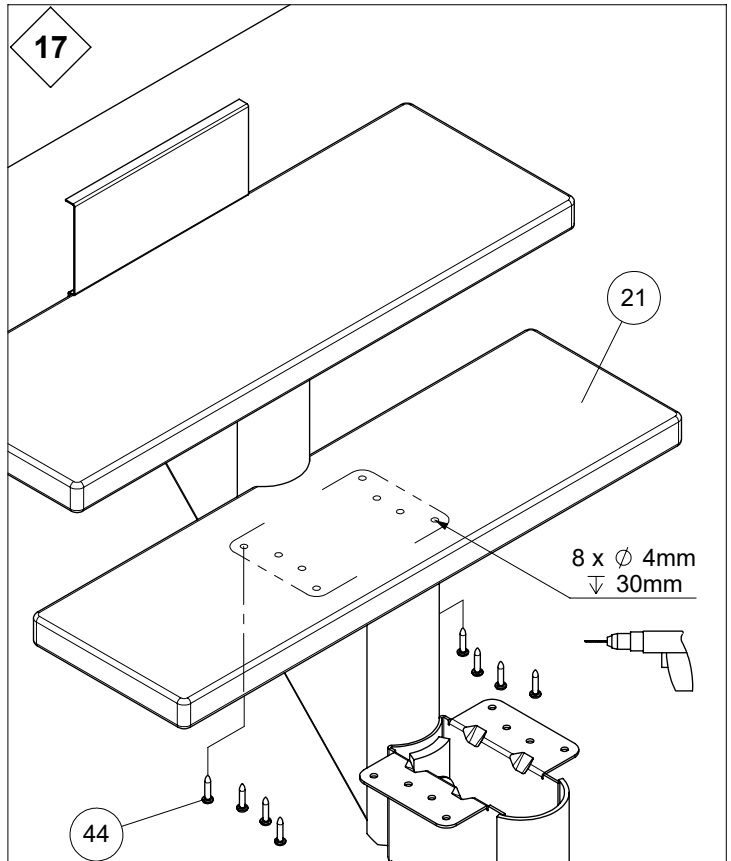
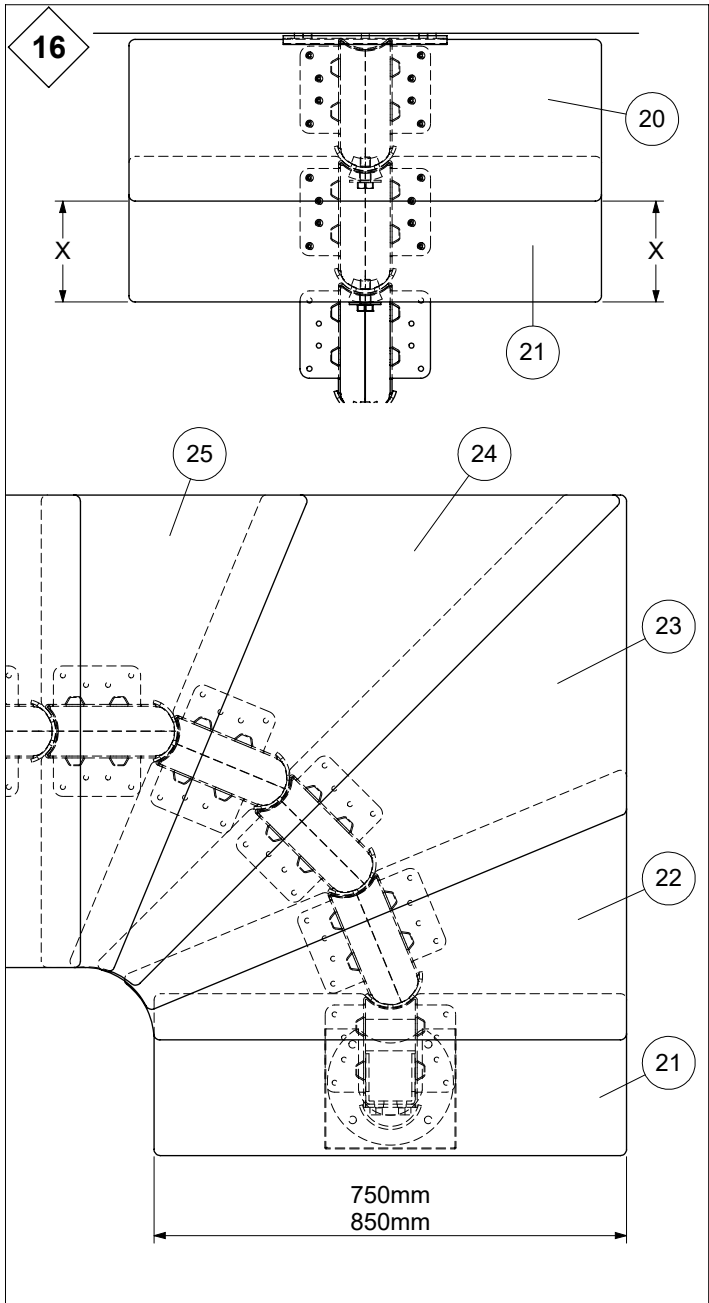


14



15





I	Mounting of wallbrackets is optional Die Montage von Wandhalterungen ist optional Montage van muurbeugels is optioneel Le montage de supports muraux est facultatif Montering af vægbeslag er valgfri
L	2 wall brackets in position A or B 2 Wandhalterungen in der Position A oder B 2 muurbeugels in positie A of B 2 supports mural dans la position A ou B 2 vægbeslag i position A eller B
U	4 wall brackets in position A or B 4 Wandhalterungen in der Position A oder B 4 muurbeugels in positie A of B 4 supports mural dans la position A ou B 4 vægbeslag i position A eller B



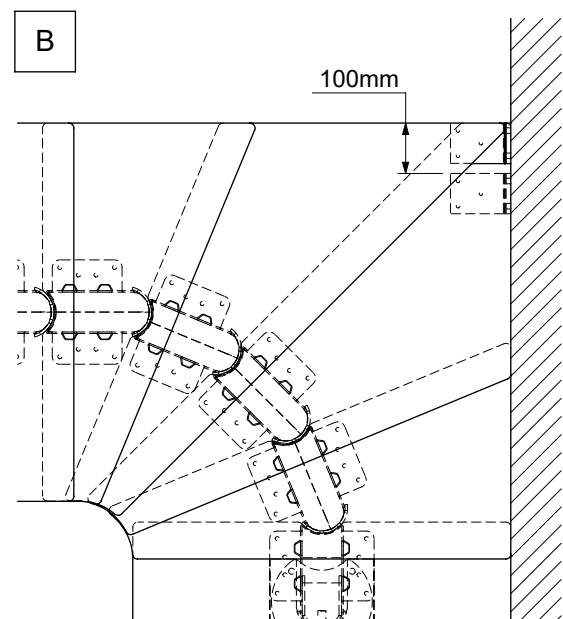
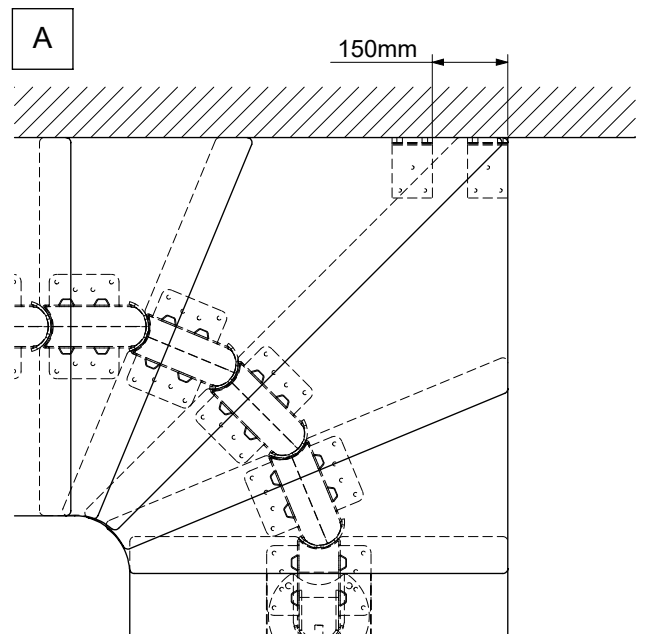
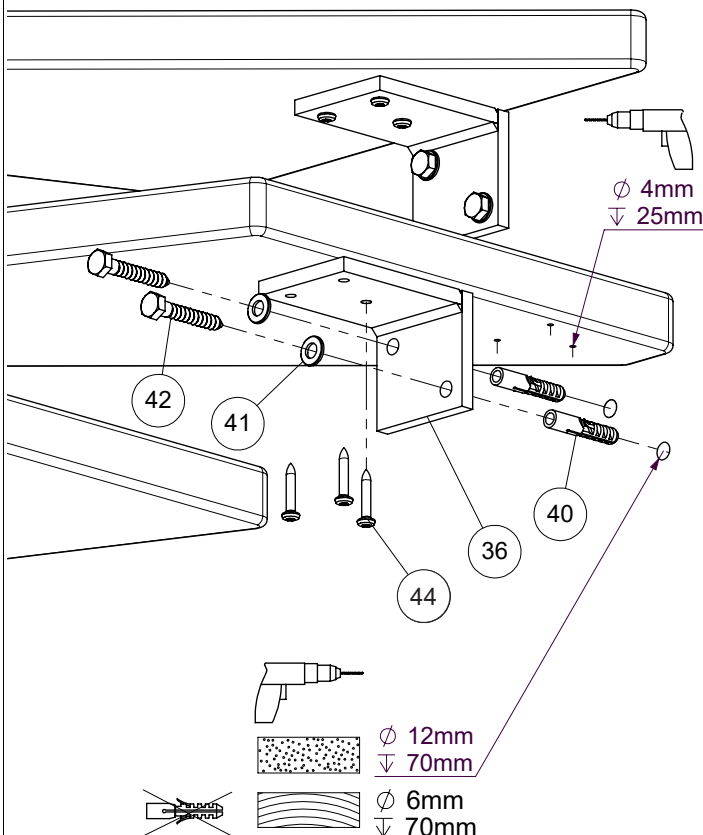
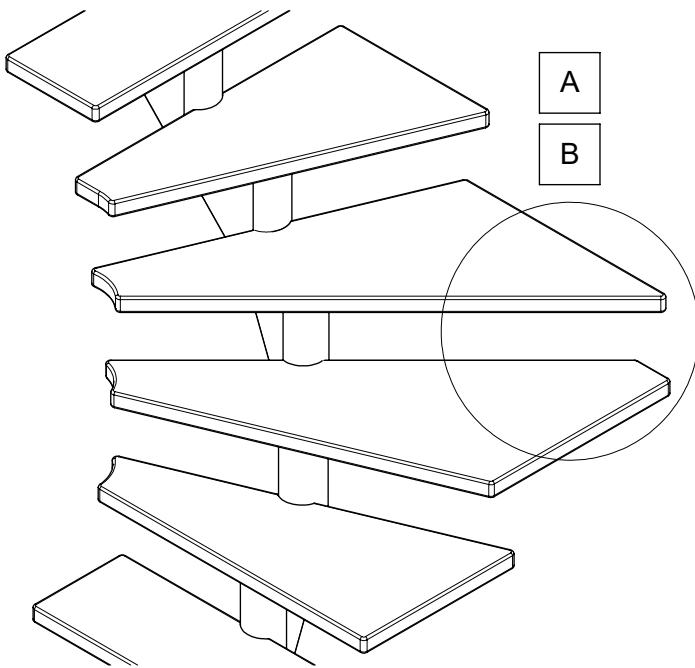
2 wall brackets must be mounted on a 1/4 turn or 4 on a 1/2 turn staircase.

2 Wandhalterungen müssen auf einer 1/4-gewendelten oder 4 auf einer 1/2-gewendelten Treppe montiert werden.

2 muurbeugels moeten gemonteerd worden op een 1/4 draai of 4 op een 1/2 draai trap.

2 supports mural doivent être monté sur un escalier 1/4 ou 4 sur un escalier 1/2 tournant.

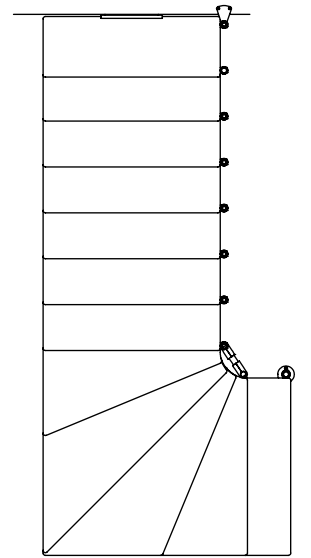
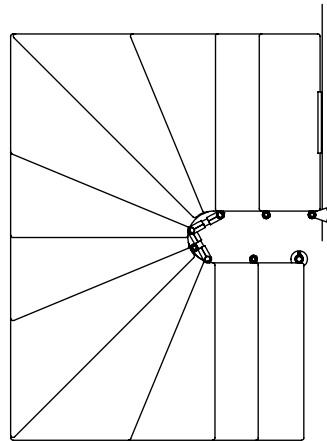
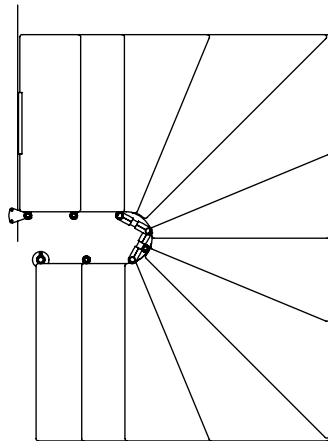
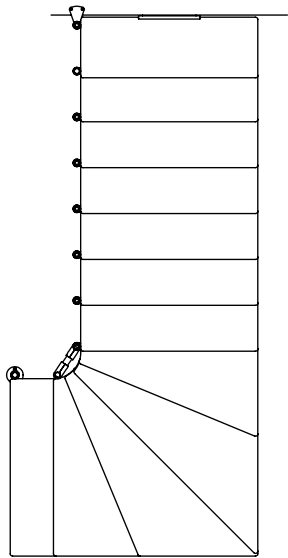
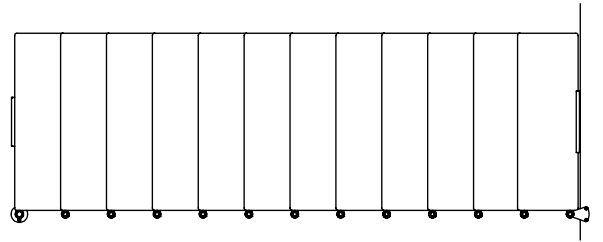
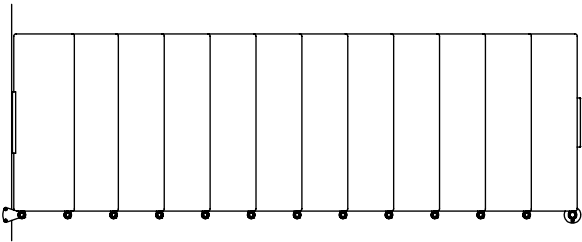
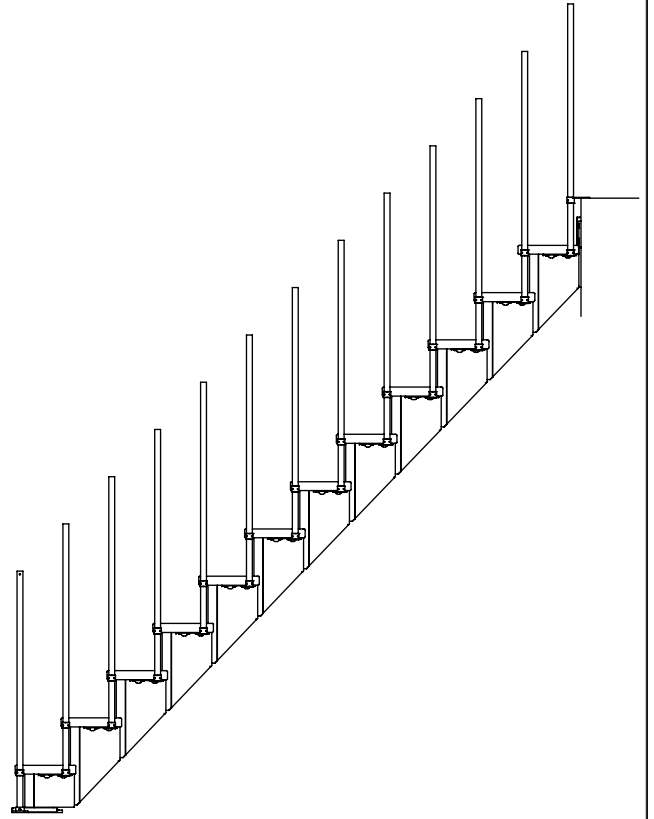
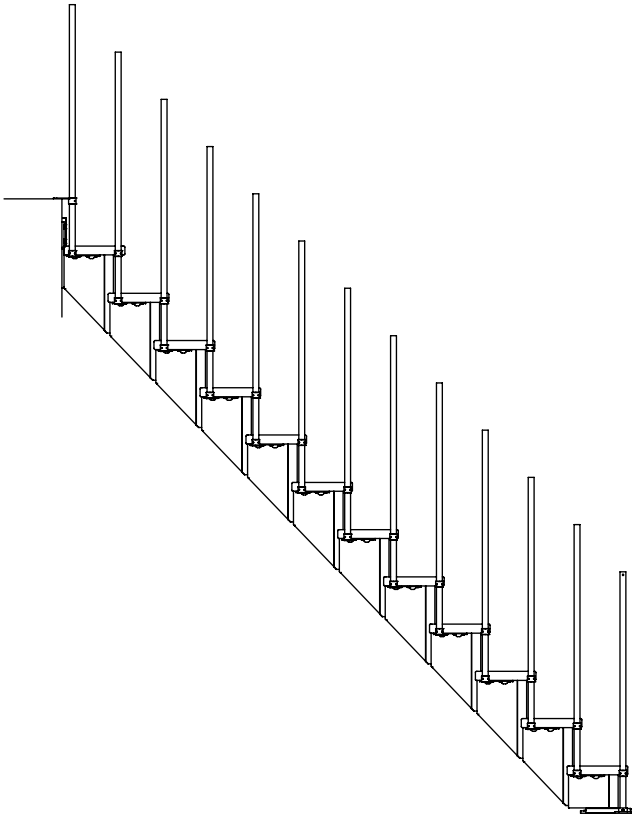
2 vægvinkler er påkrævet i en 1/4-svings- eller 4 i en 1/2-svings-trappe.



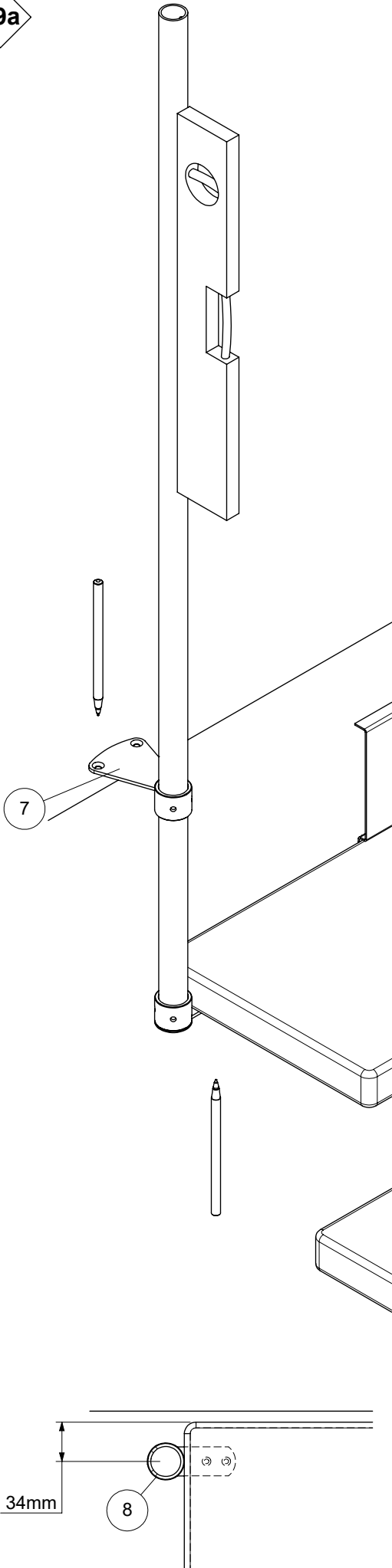


L

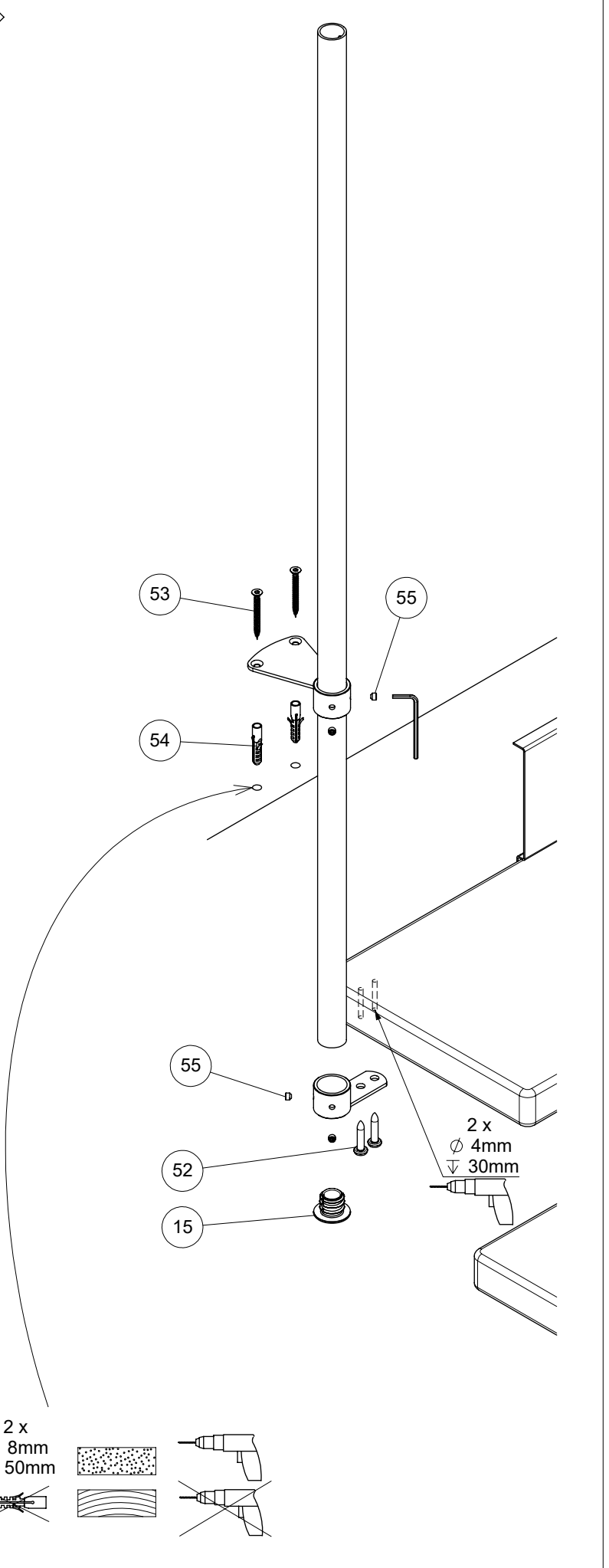
R



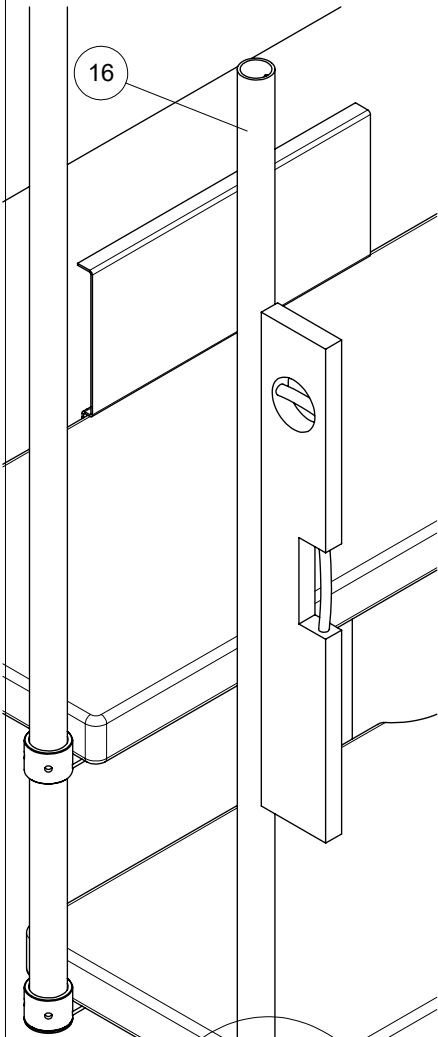
19a



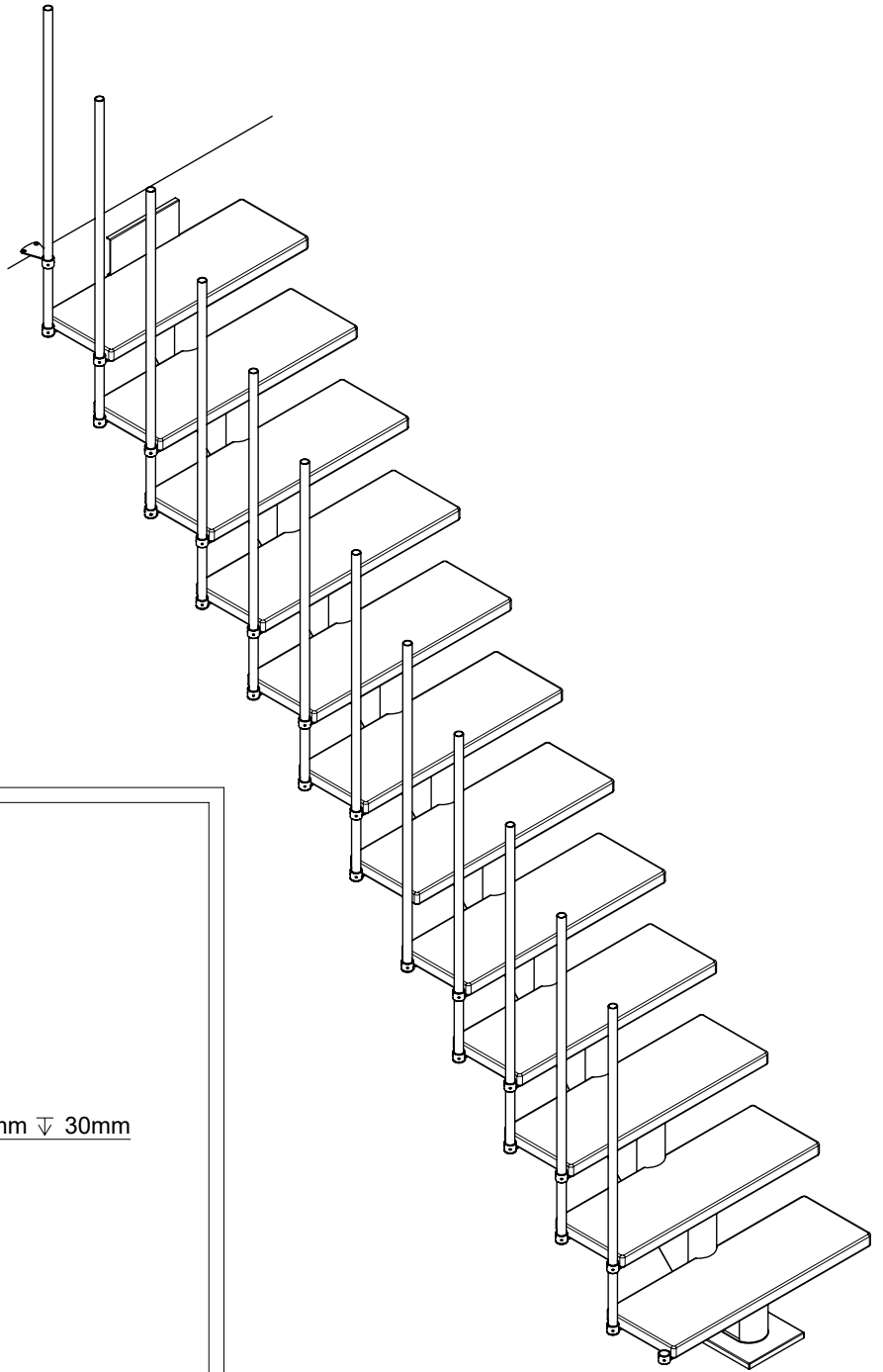
19b



20



21



2 x Ø 4mm ∇ 30mm

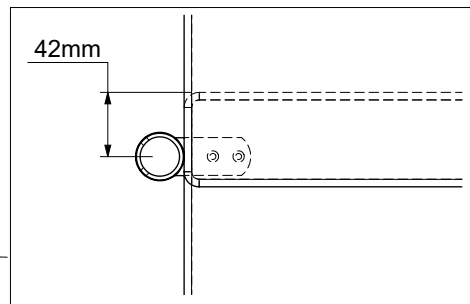
2 x Ø 4mm ∇ 30mm

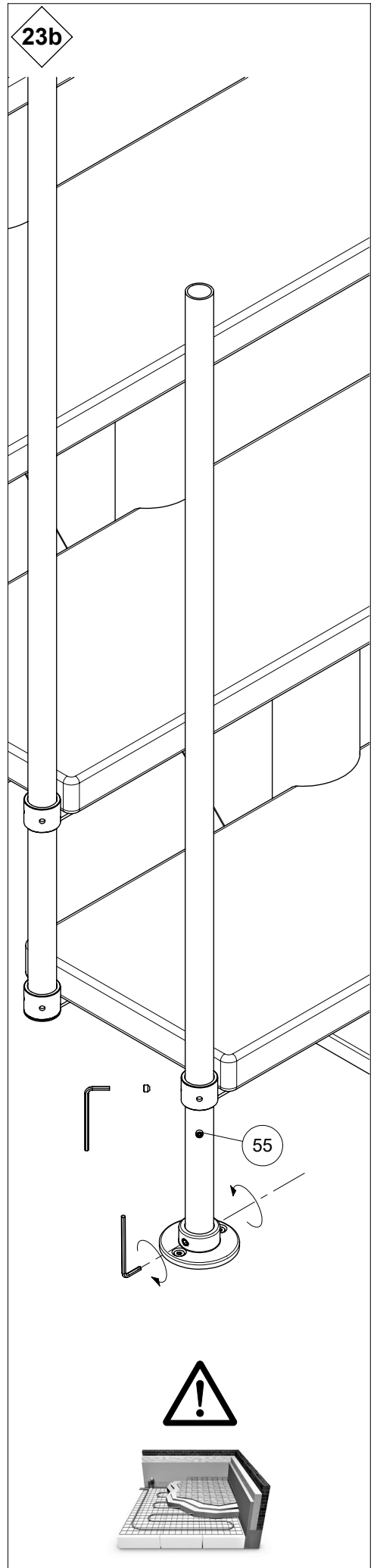
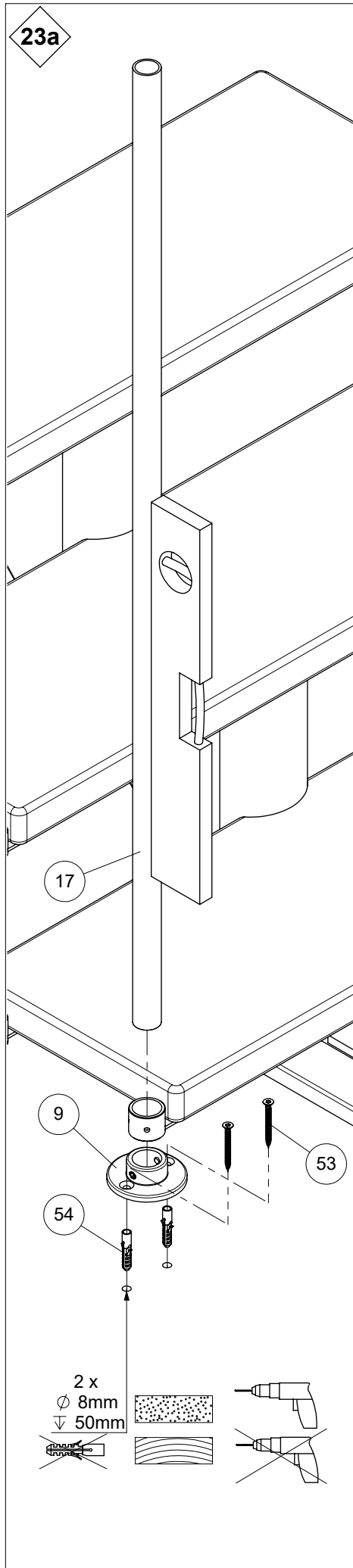
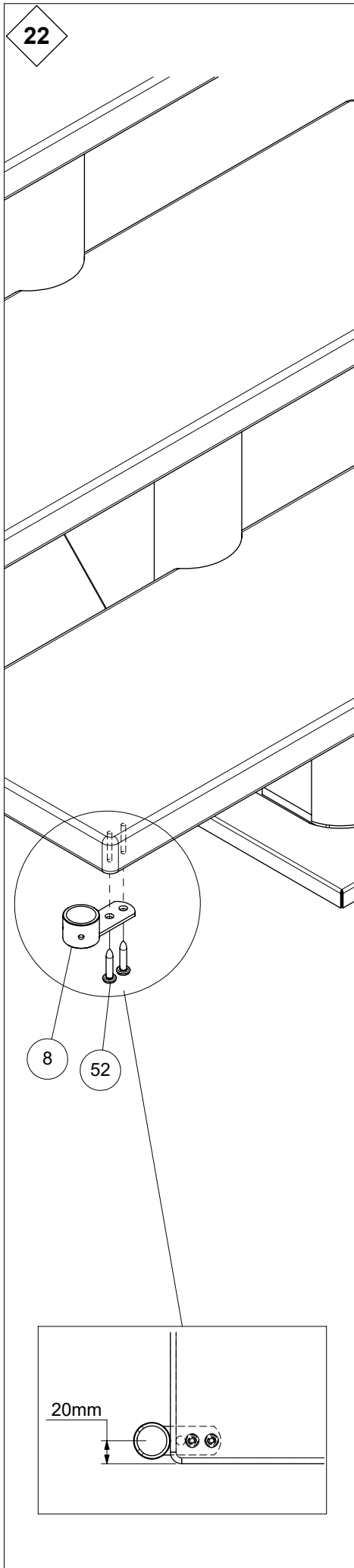
8

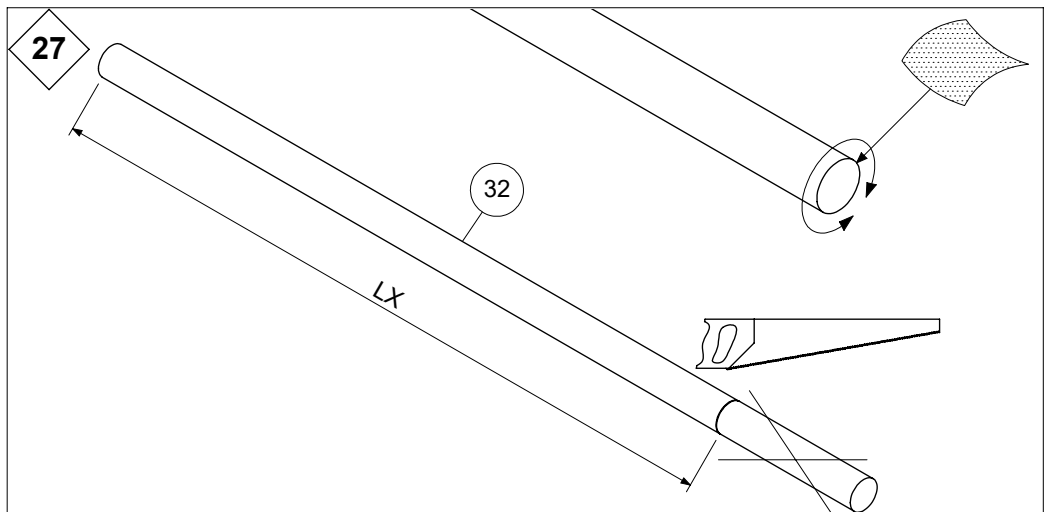
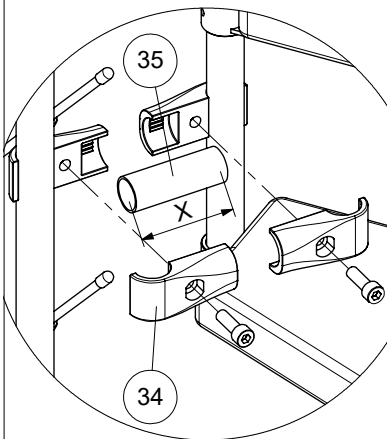
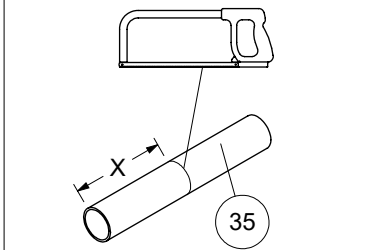
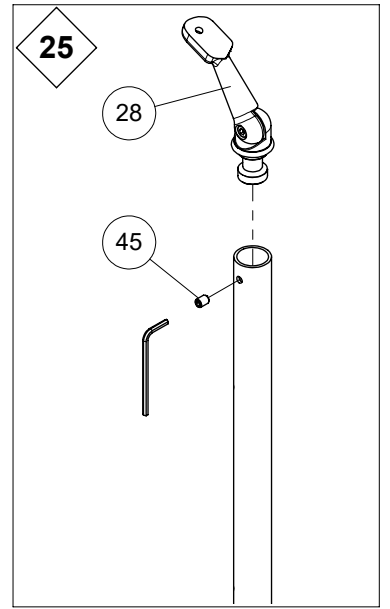
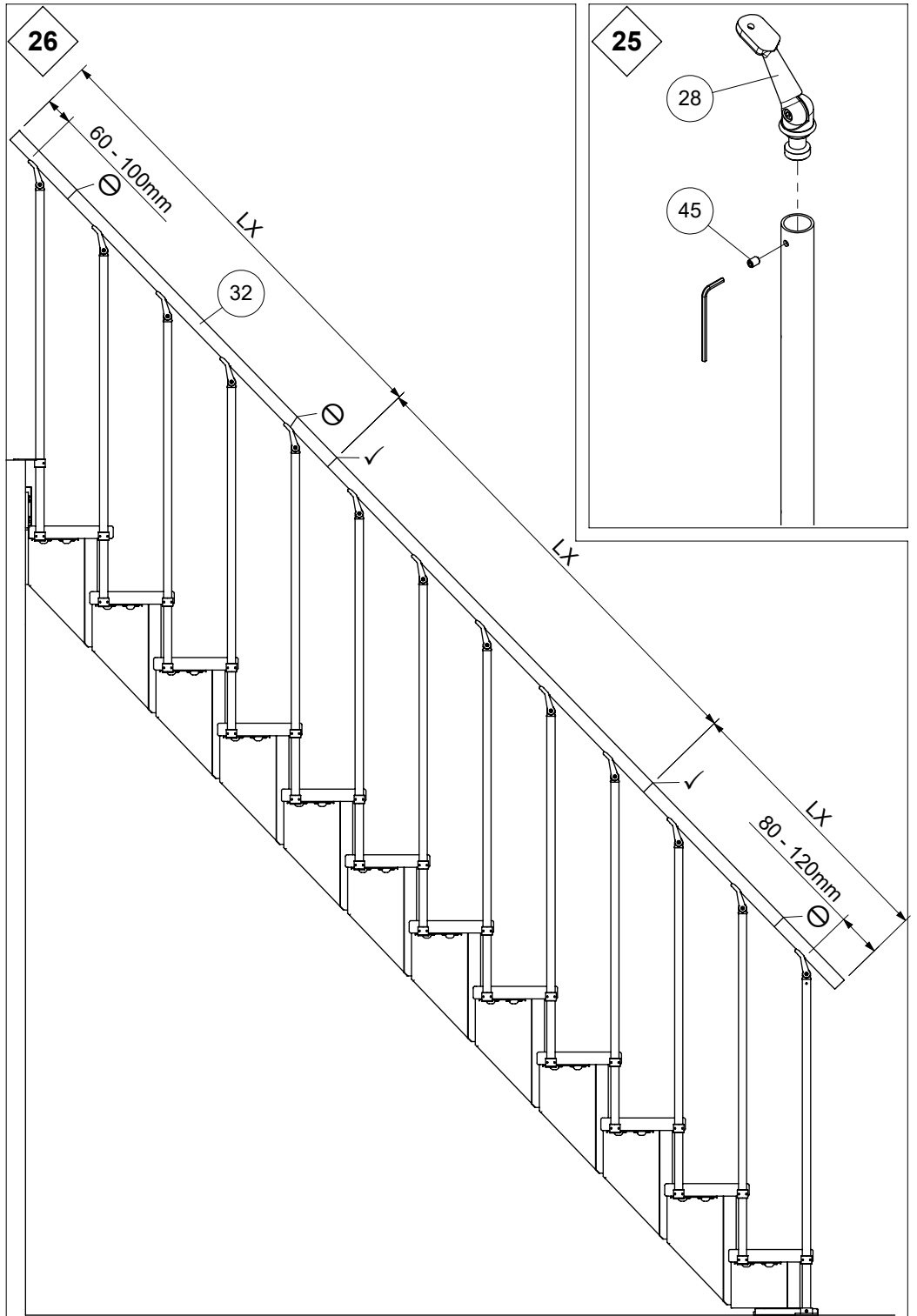
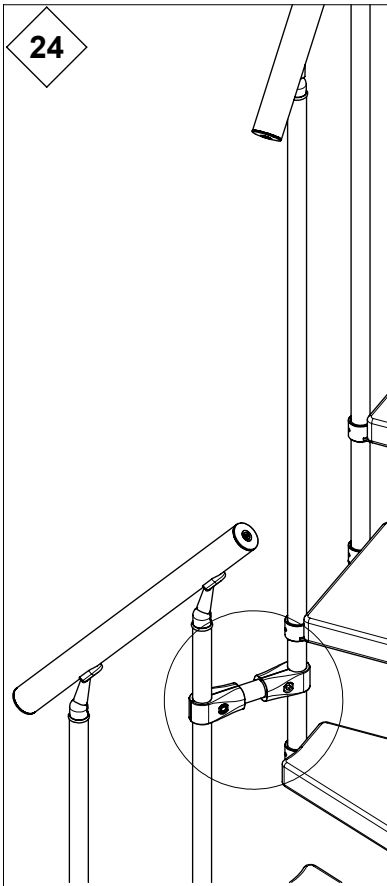
55

52

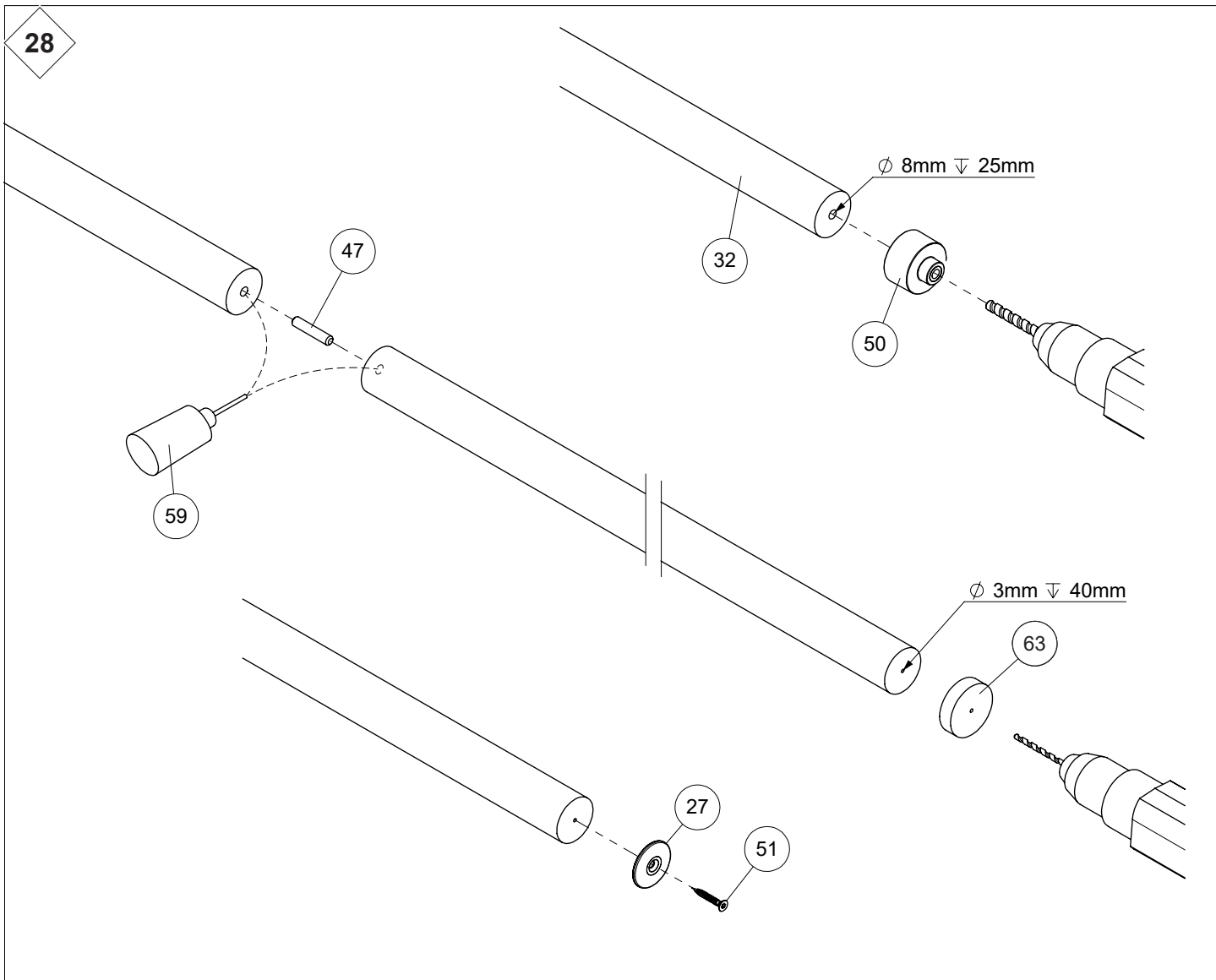
15



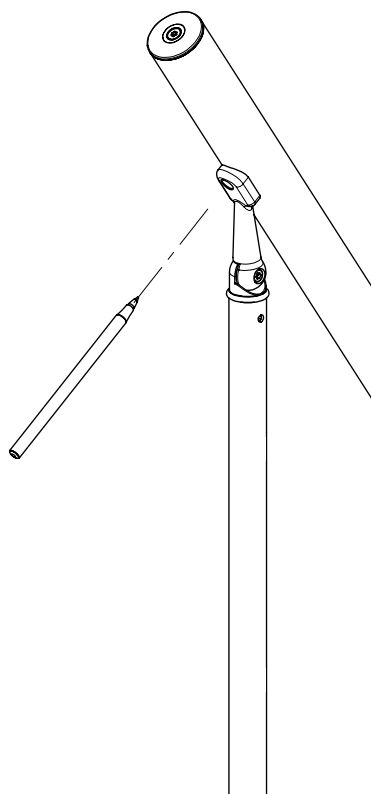




28



29a



29b

