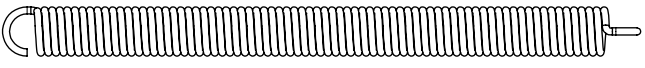
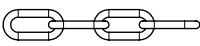
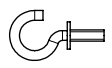
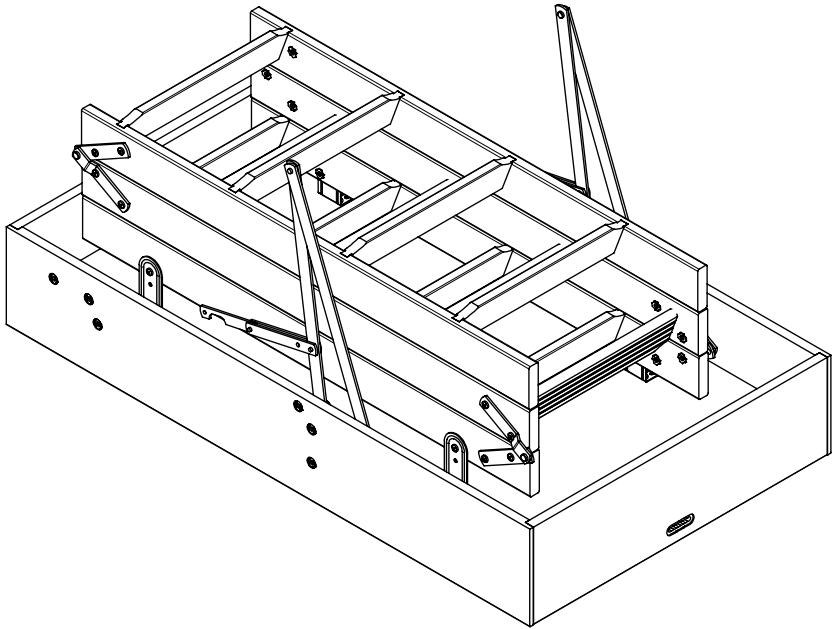




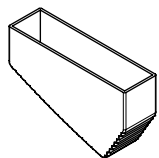
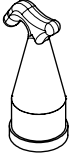


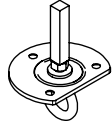
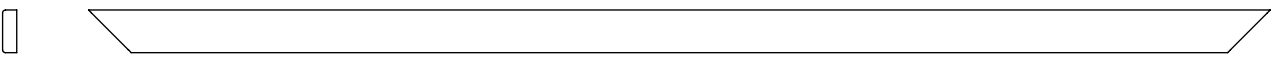
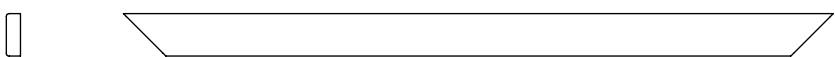
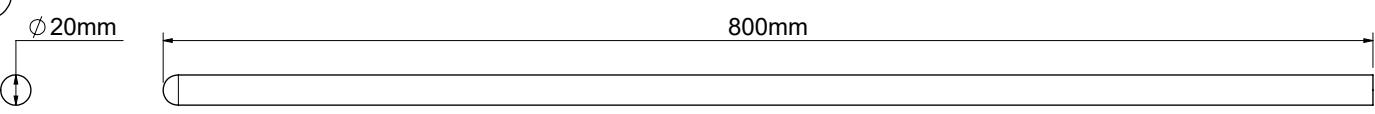
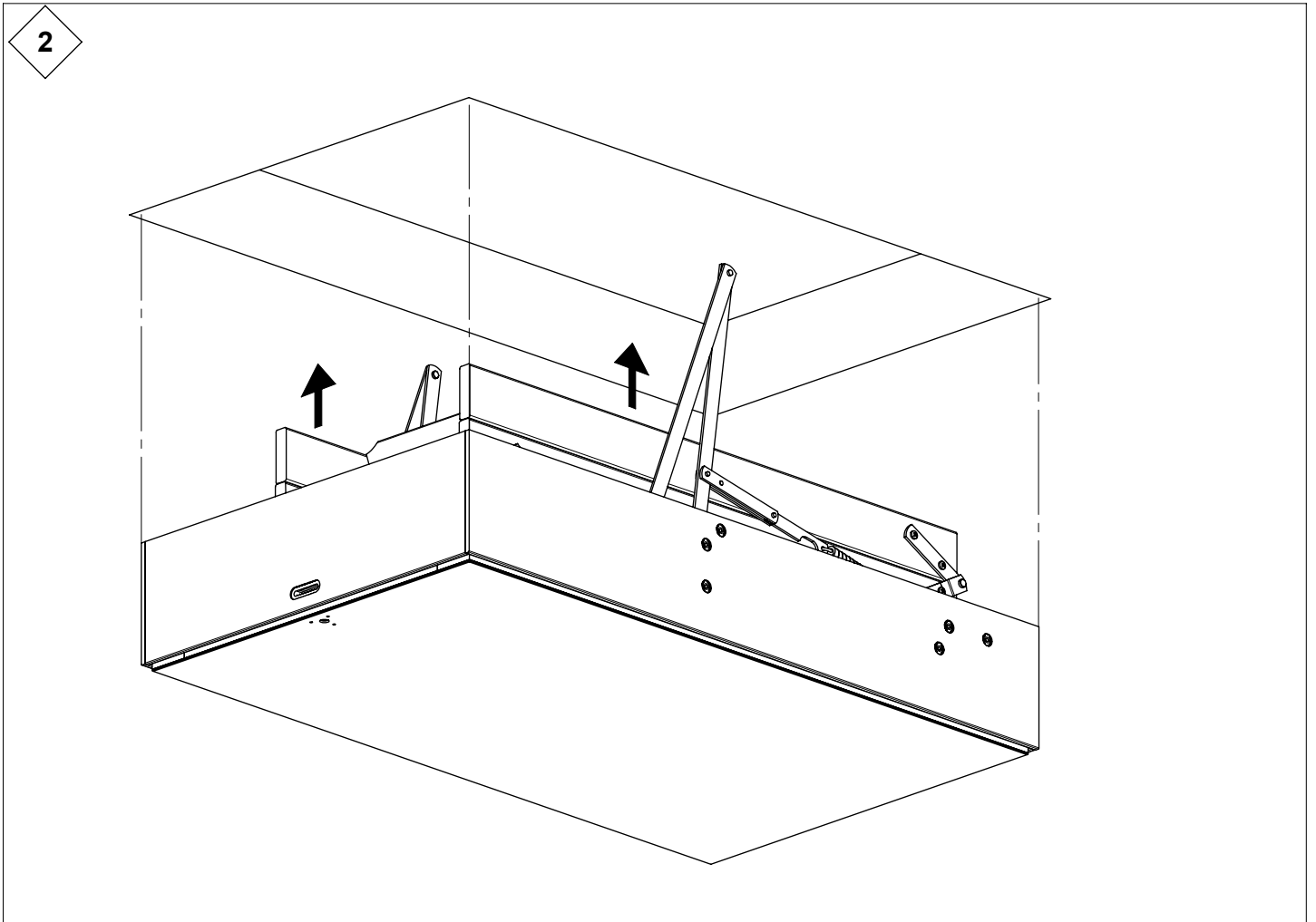
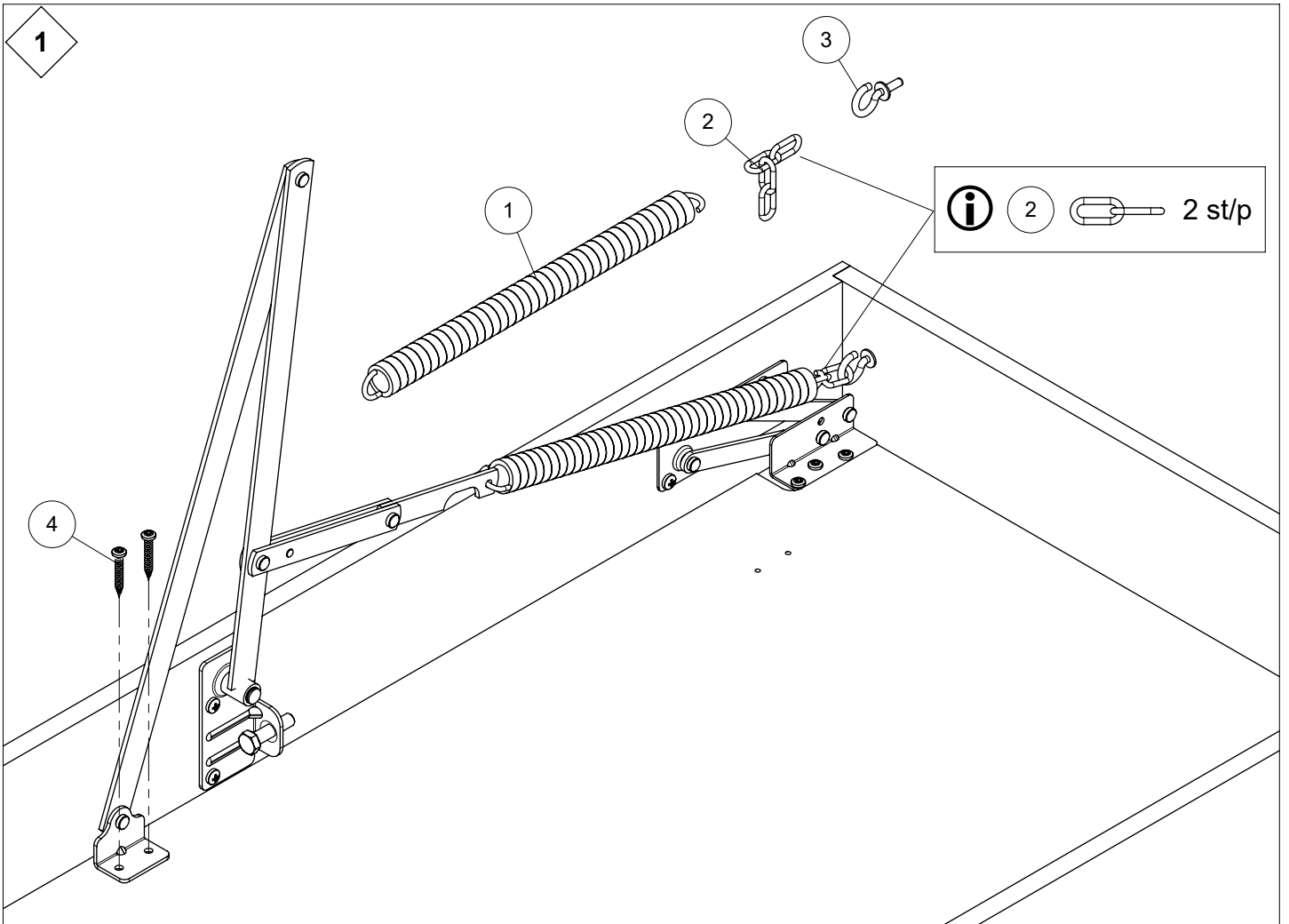


# REI 60

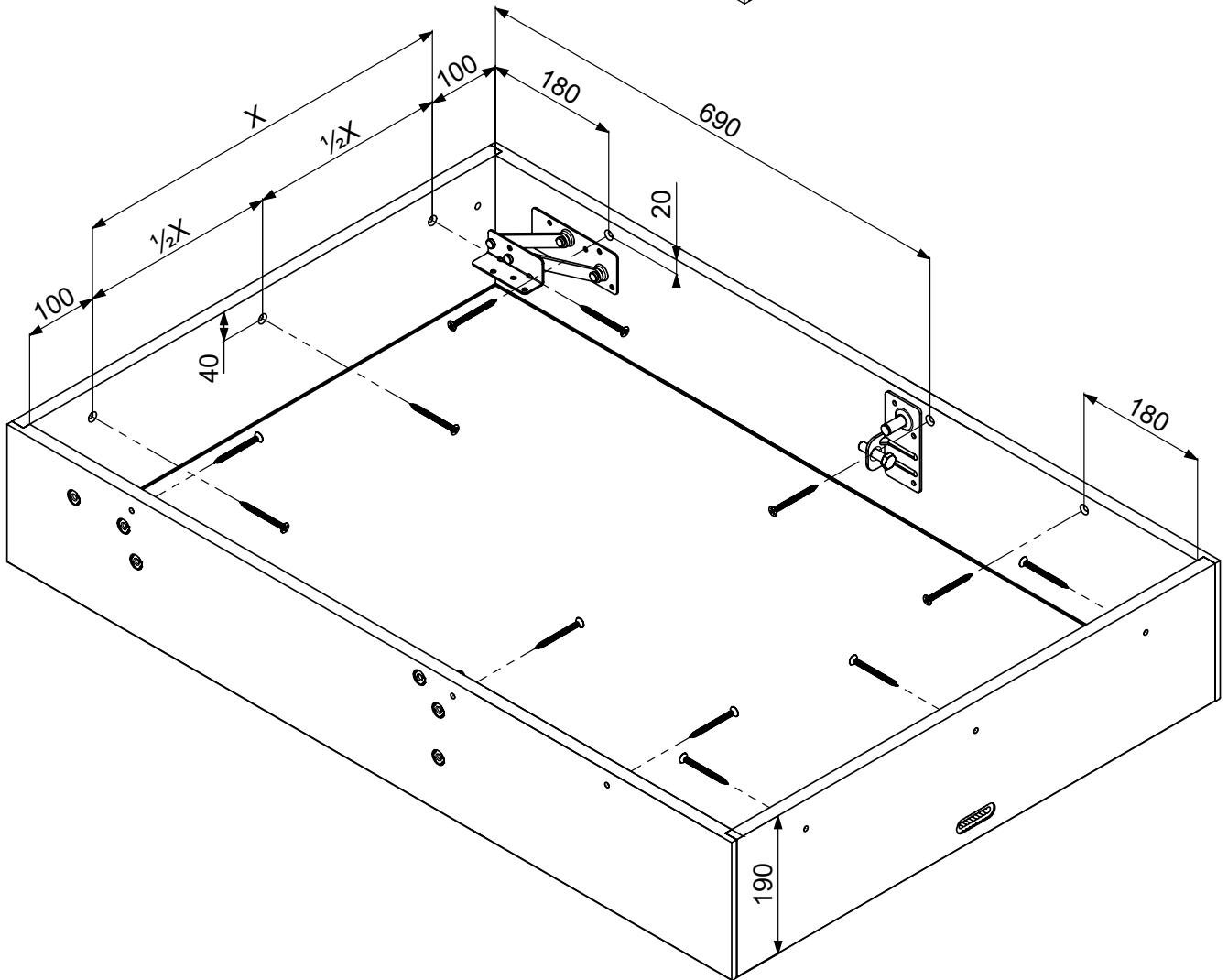
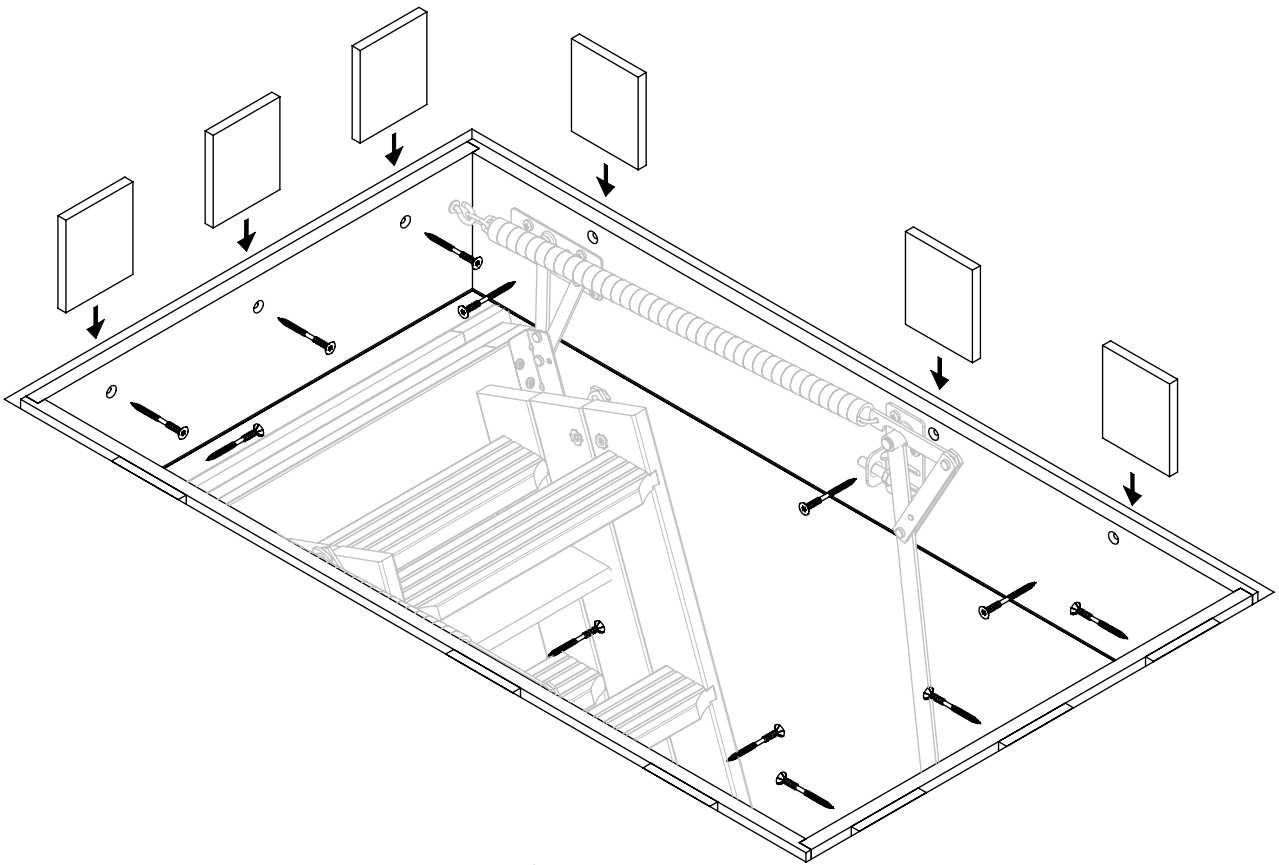
|   |   |  |
|---|---|--|
| <p>1</p>  <p>x 2</p> | <p>2</p>  <p>x 2<br/>C1-09100</p>   | <p>3</p>  <p>x 2<br/>C1-09105</p>   |
|                     | <p>4</p>  <p>x 4<br/>K3-06403<br/>Ø6 x 40 - TX30</p>  | <p>5</p>  <p>x 2<br/>K3-06013<br/>Ø4 x 20</p>  |
|   | <p>6</p>  <p>x 2<br/>H1-69300</p>  | <p>11</p>  <p>x 1<br/>R1-66005</p>  |
|   | <p>12</p>  <p>x 4<br/>K3-06002<br/>Ø4 x 25</p>       | <p>13</p>  <p>x 1<br/>K2-22325</p>   |

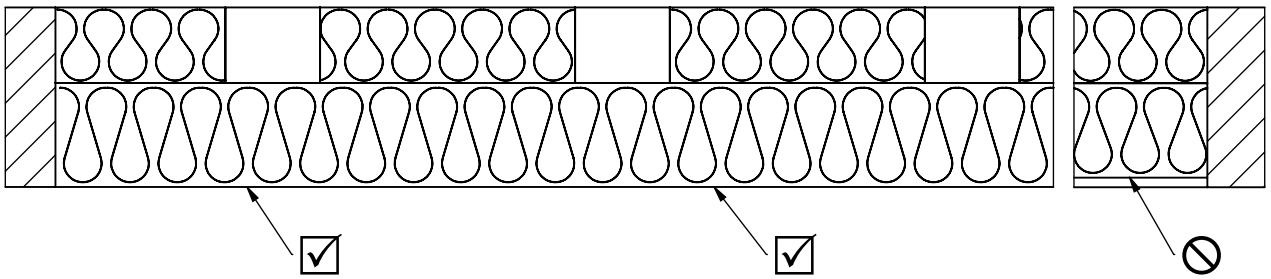
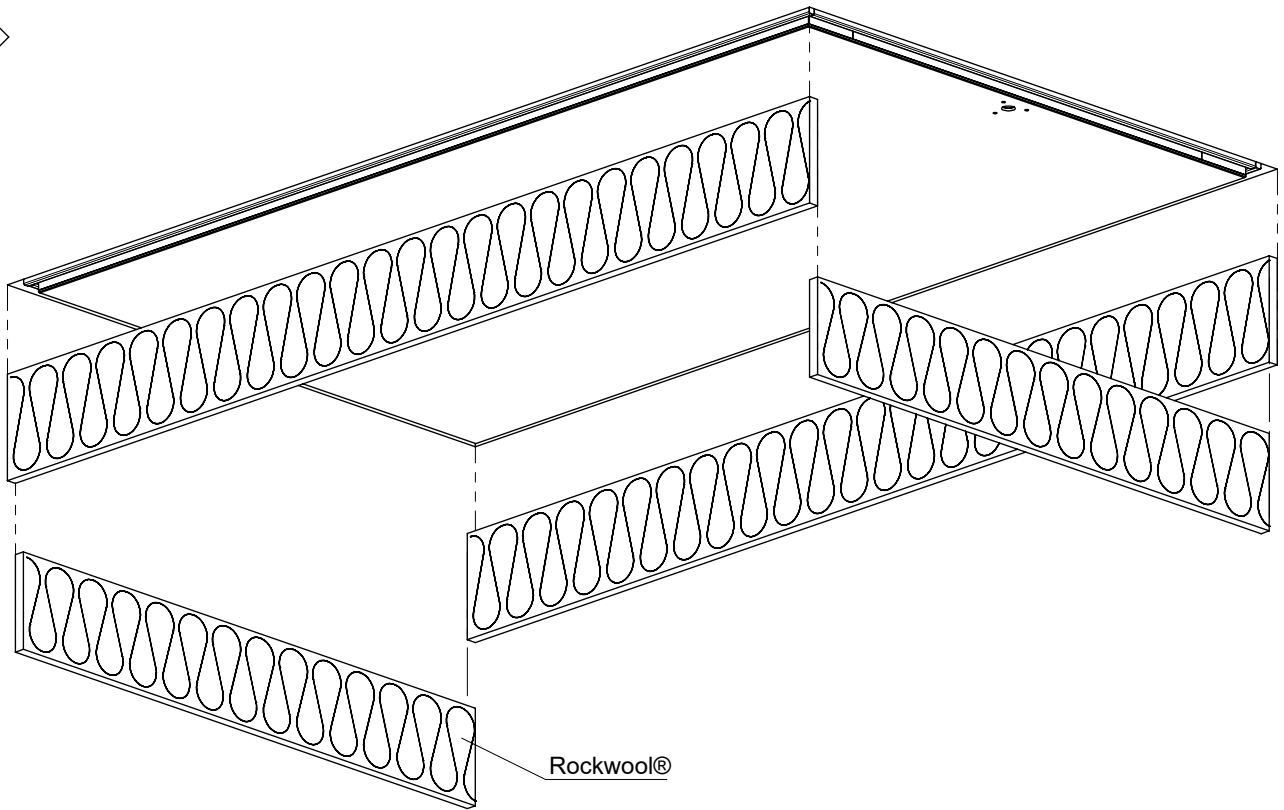
|   |
|---|
| <p>7</p>  <p>x 2</p>                                      |
| <p>8</p>  <p>x 2</p>                                      |
| <p>14</p>  <p>Ø20mm<br/>800mm</p> <p>x 1<br/>R1-40980</p> |



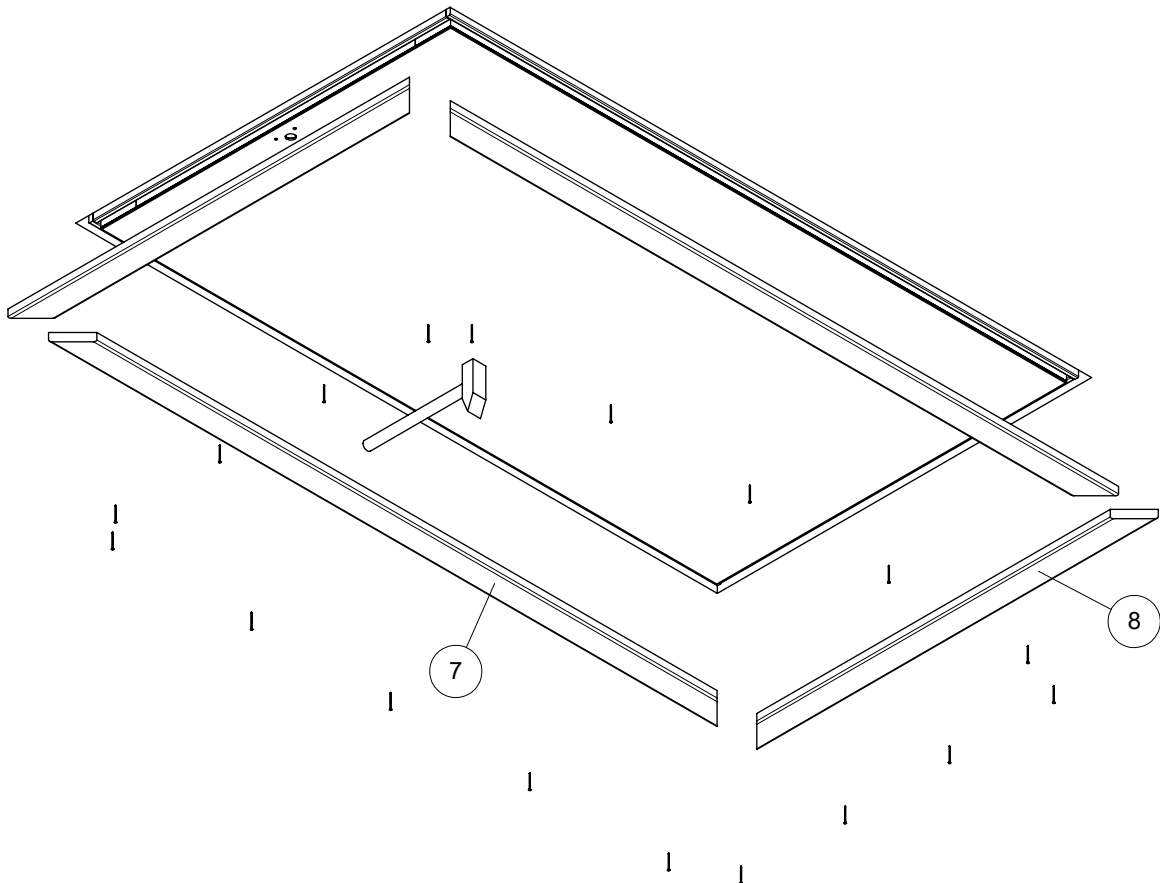
3



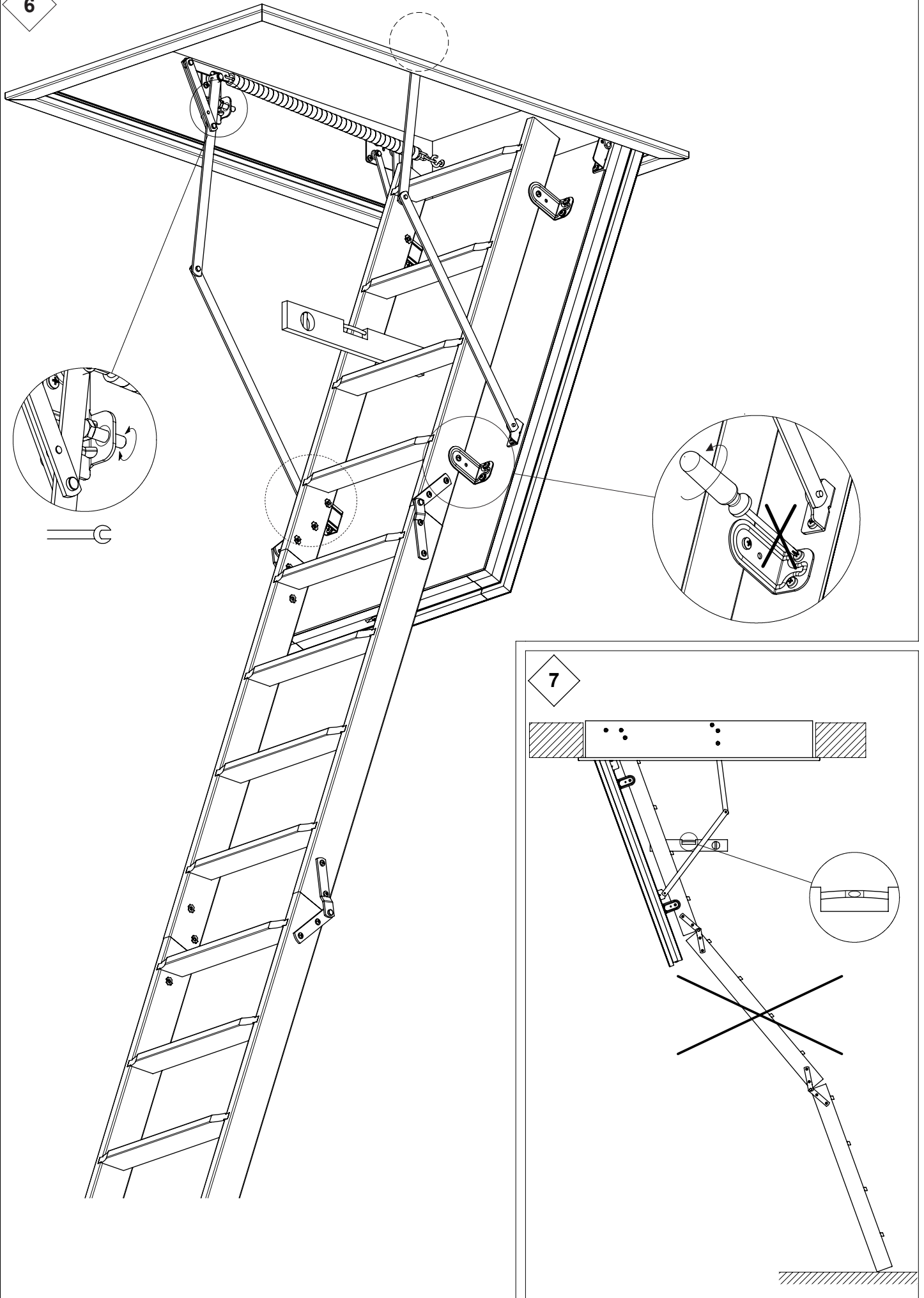
4



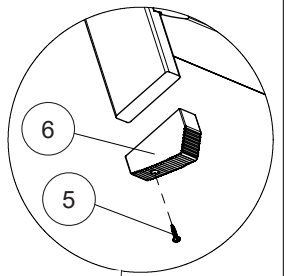
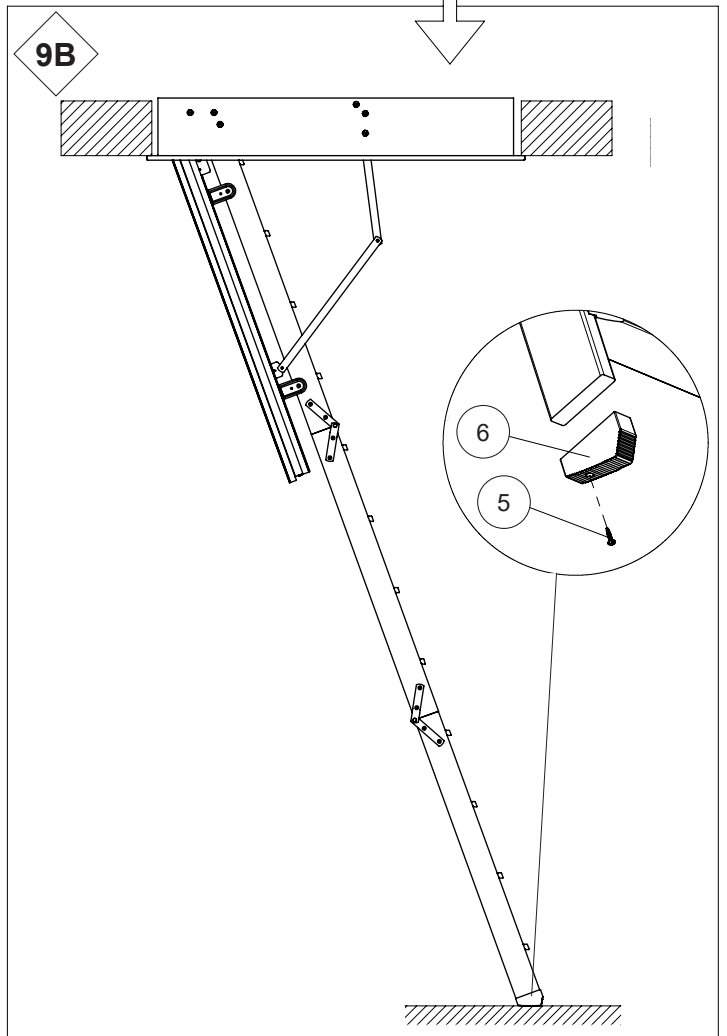
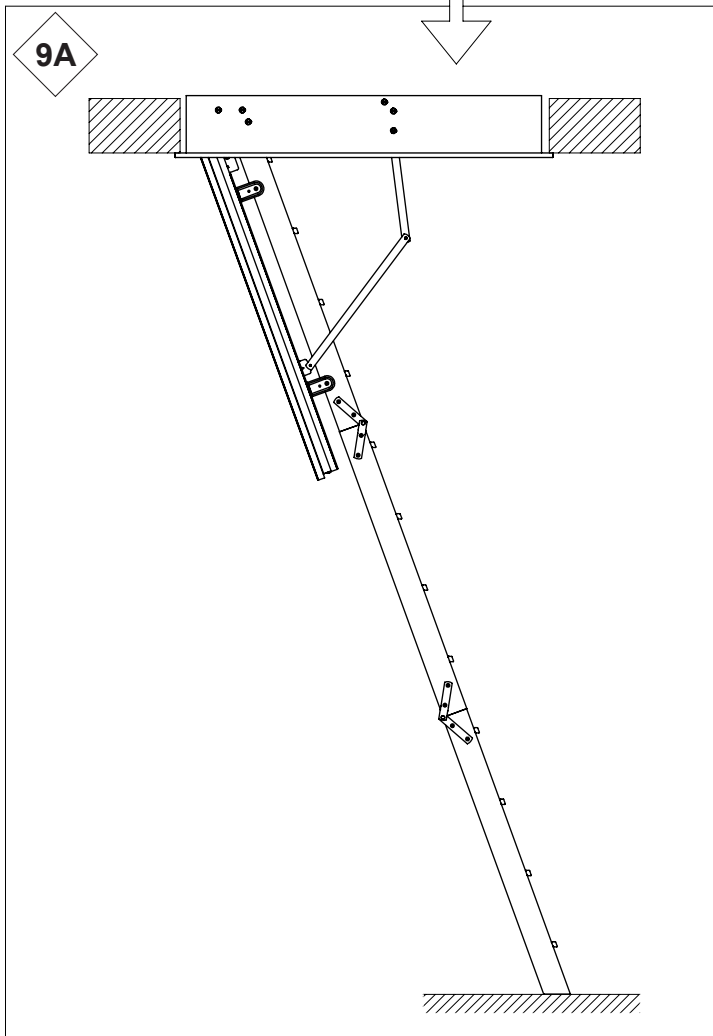
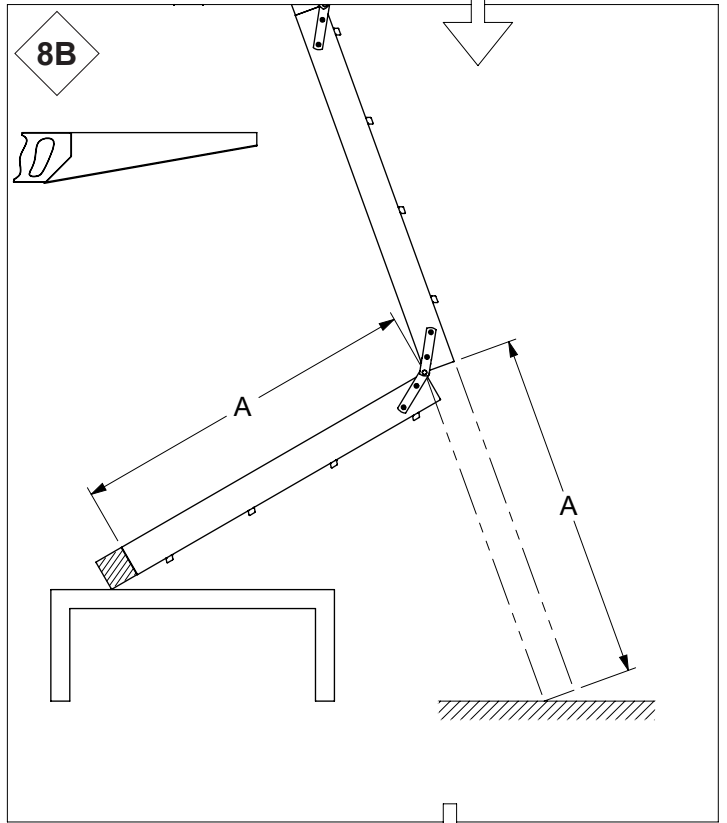
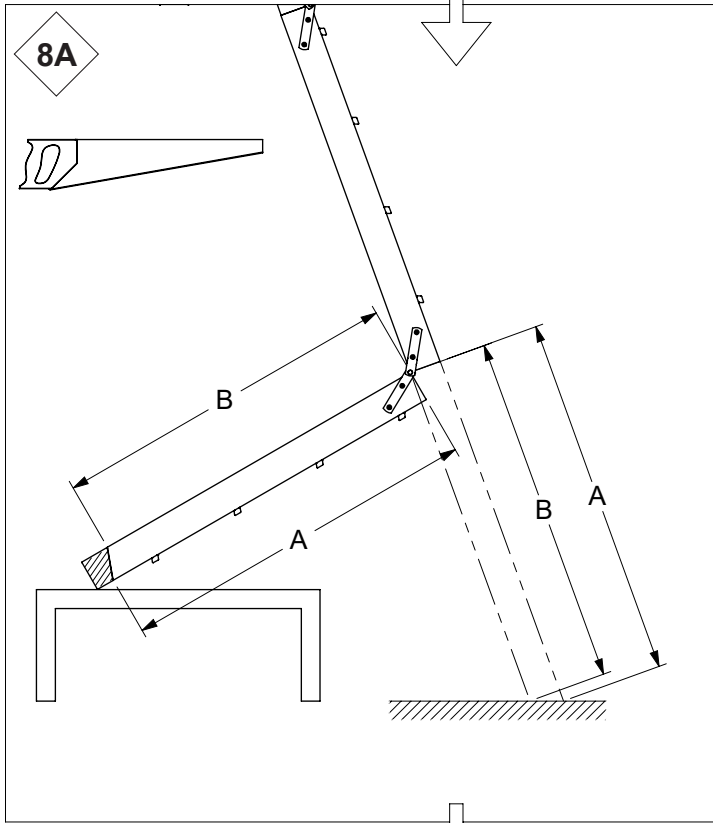
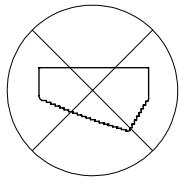
5



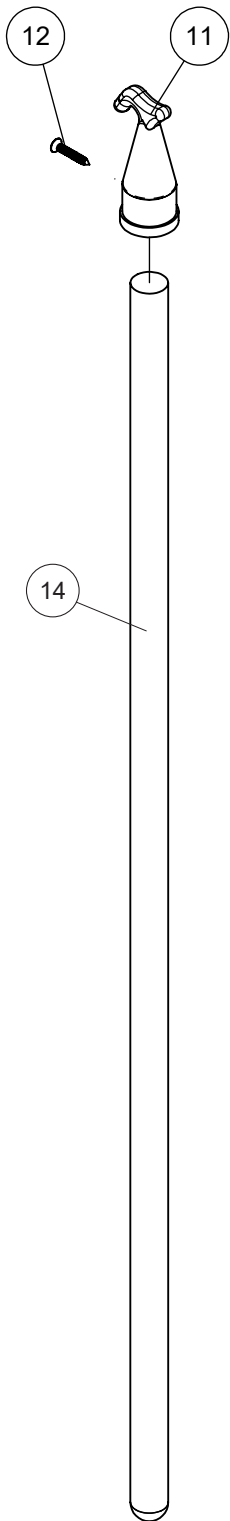
6



7



10



11

