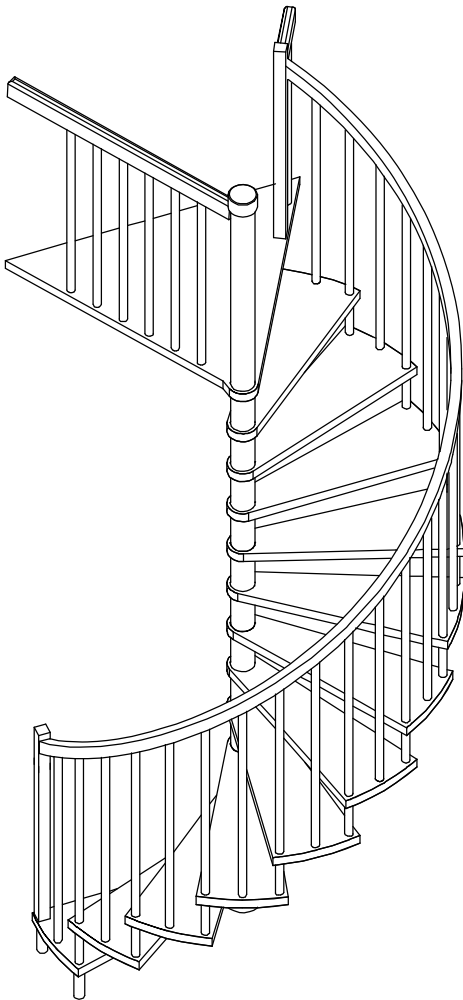
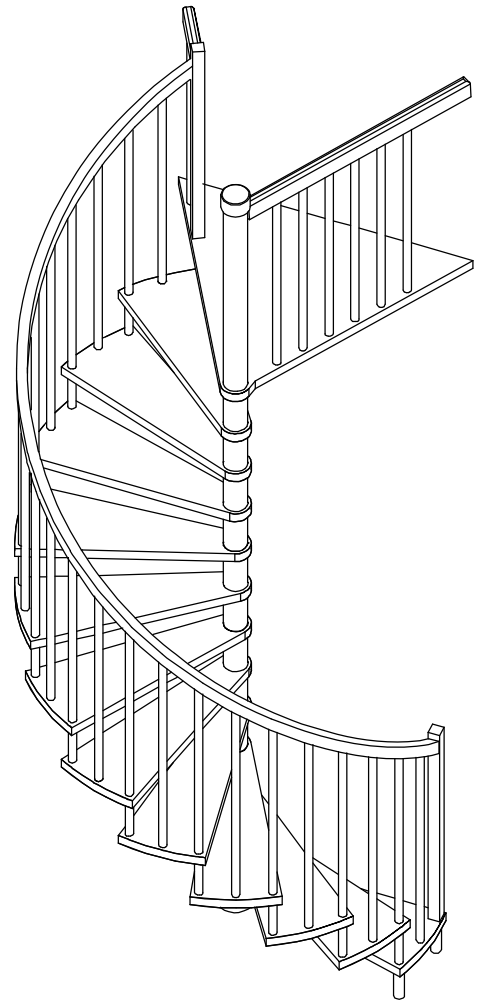
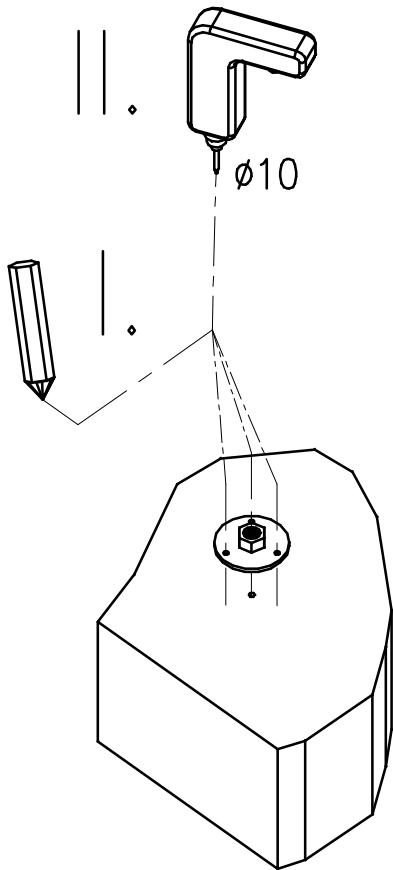
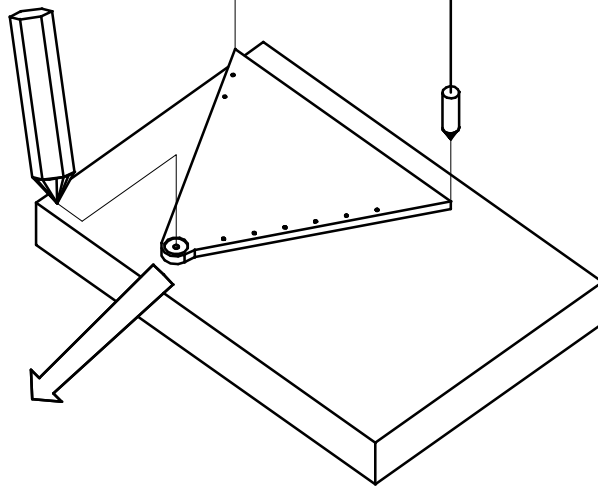
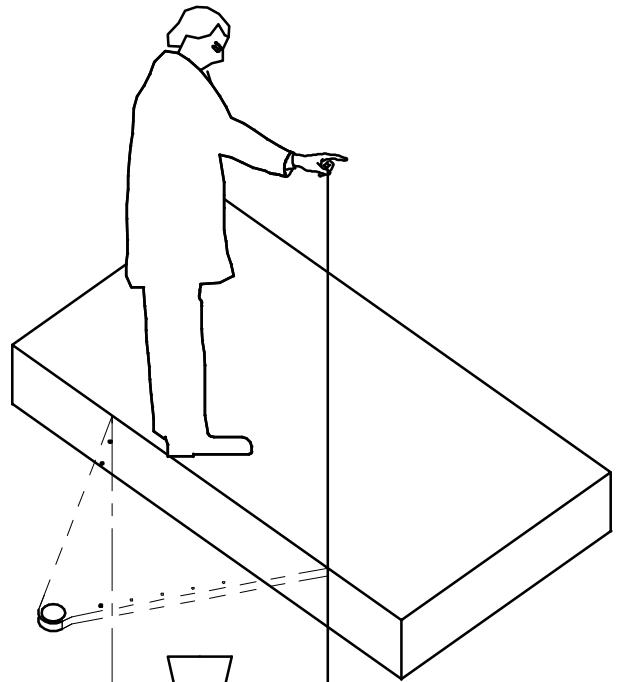


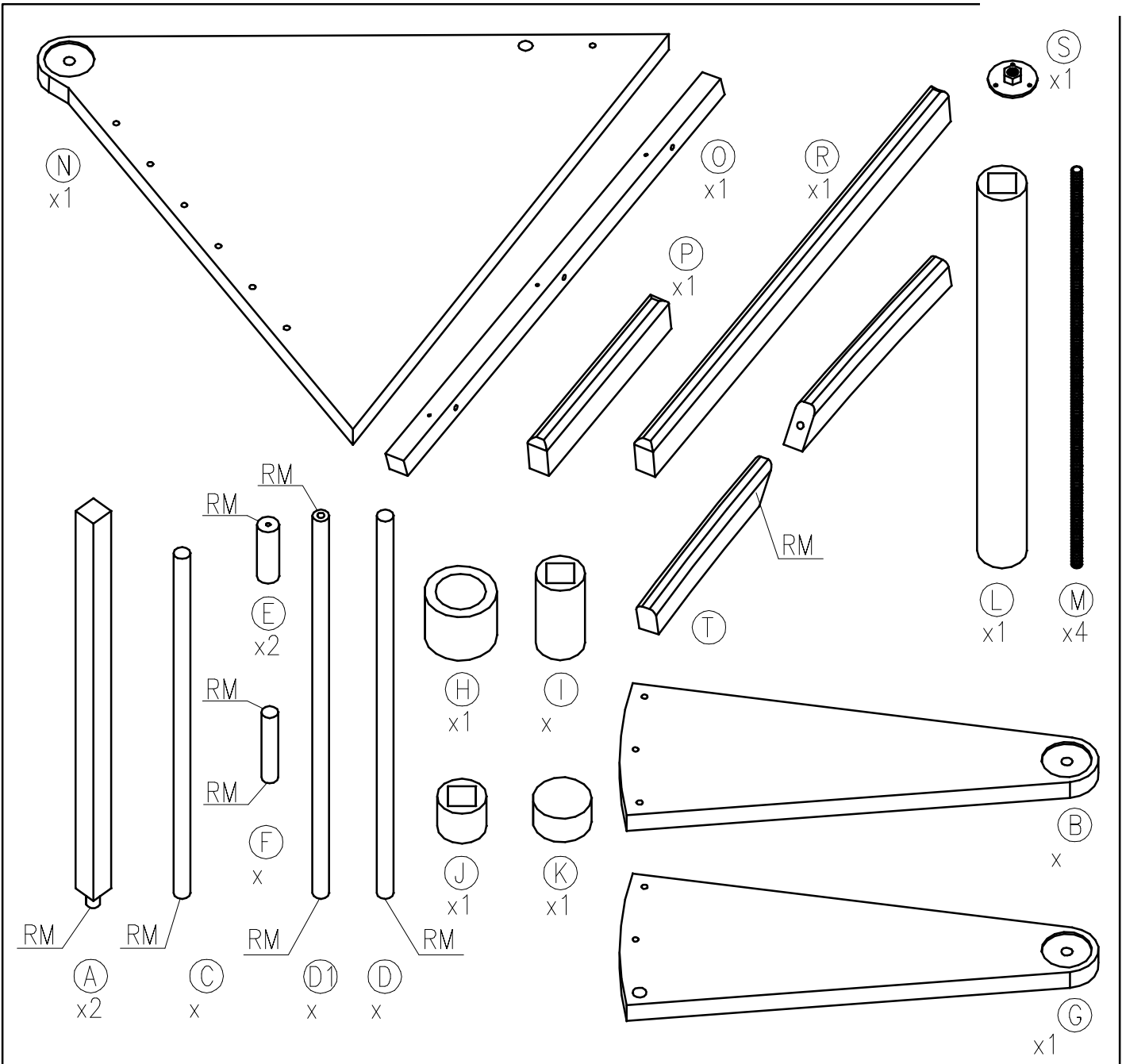
Laufrichtung
Abb.: Linkslaufend











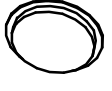


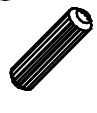

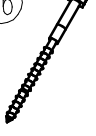
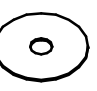









Laufrichtung
Abb.: Rechtslaufend

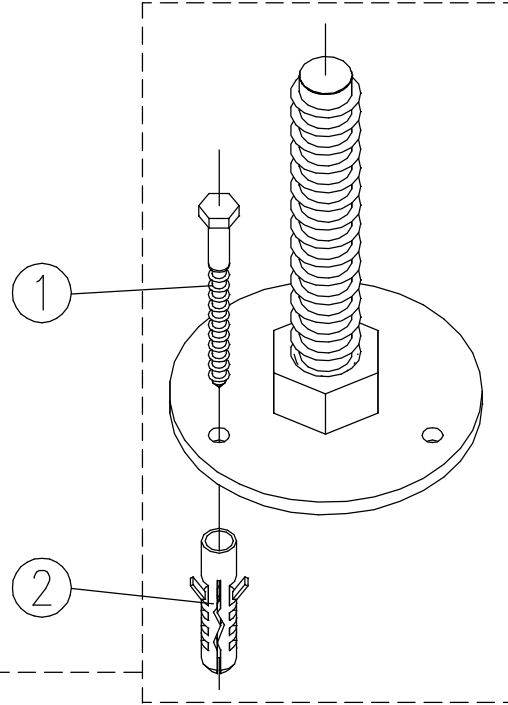
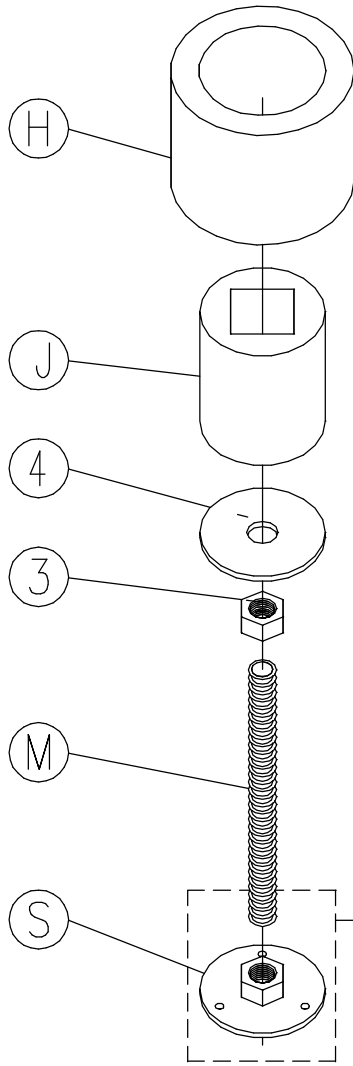




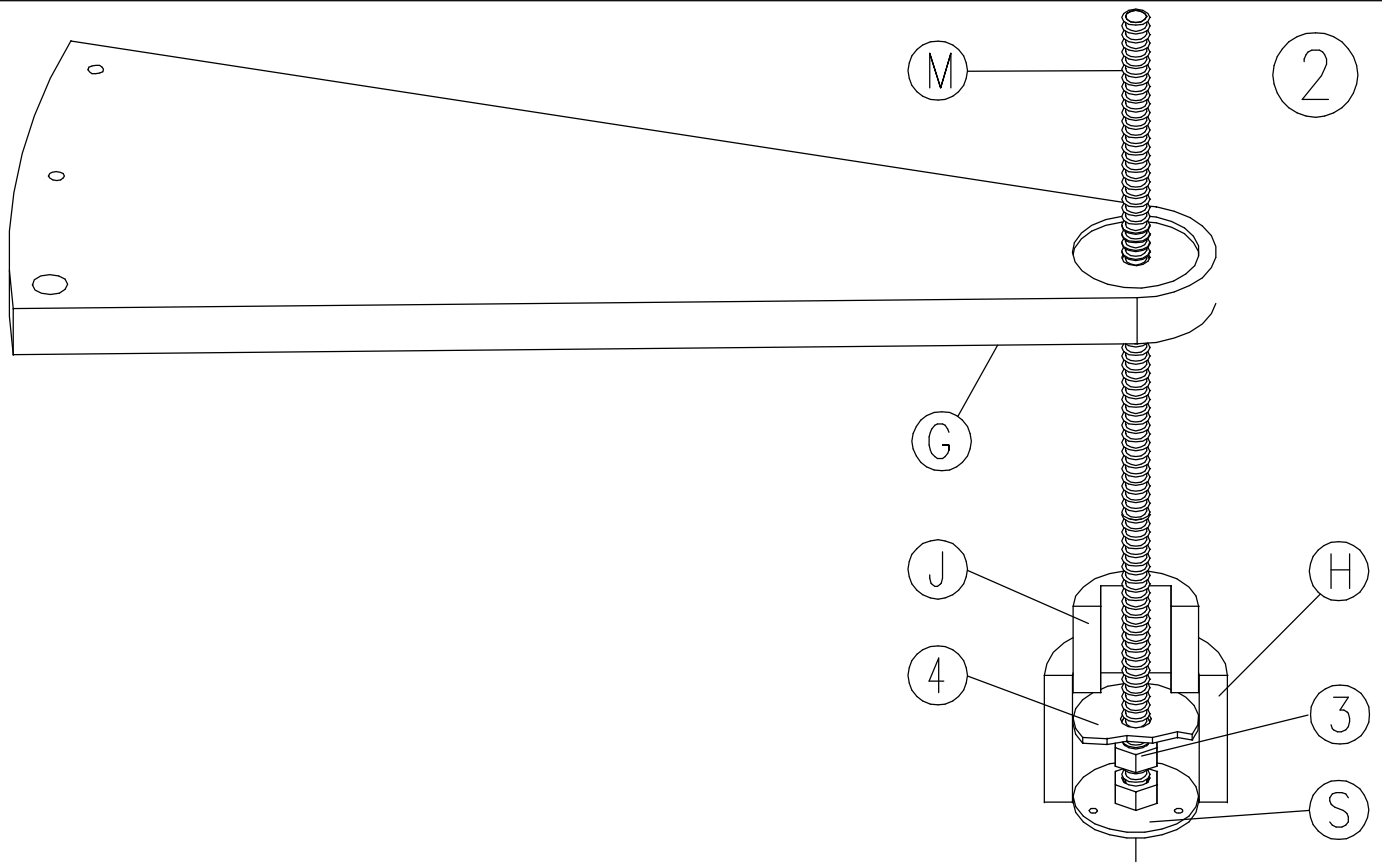


①  x4	②  x6	③  x9	④  x1	⑤  x	⑥  x3	⑦  x4	⑧  x
⑨  x1	⑩  x5	⑪  x1	⑫  x6	⑬  x6	⑭  x1	⑮  x1	⑯  x3
⑰  x1	⑱  x2	⑲  x2	⑳  x4	㉑  x2	㉒  x1	㉓  x1	㉔  x3

1

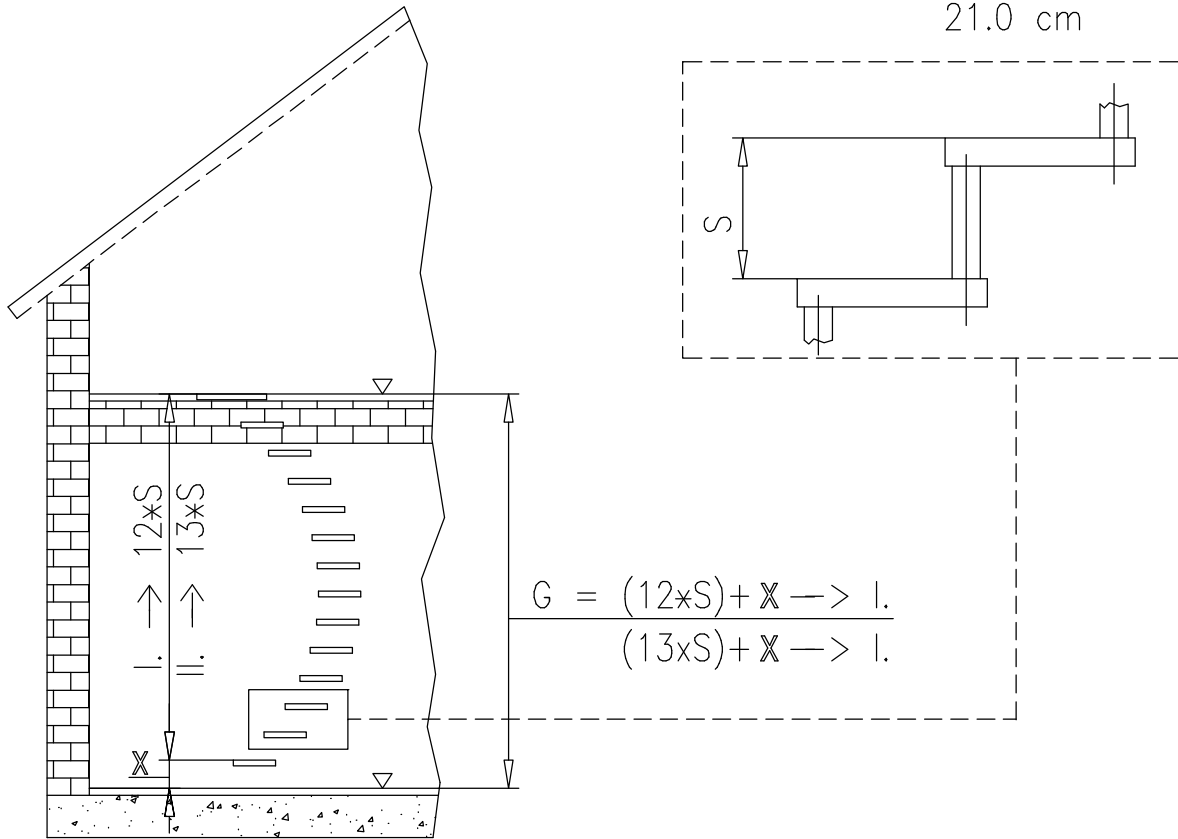


2

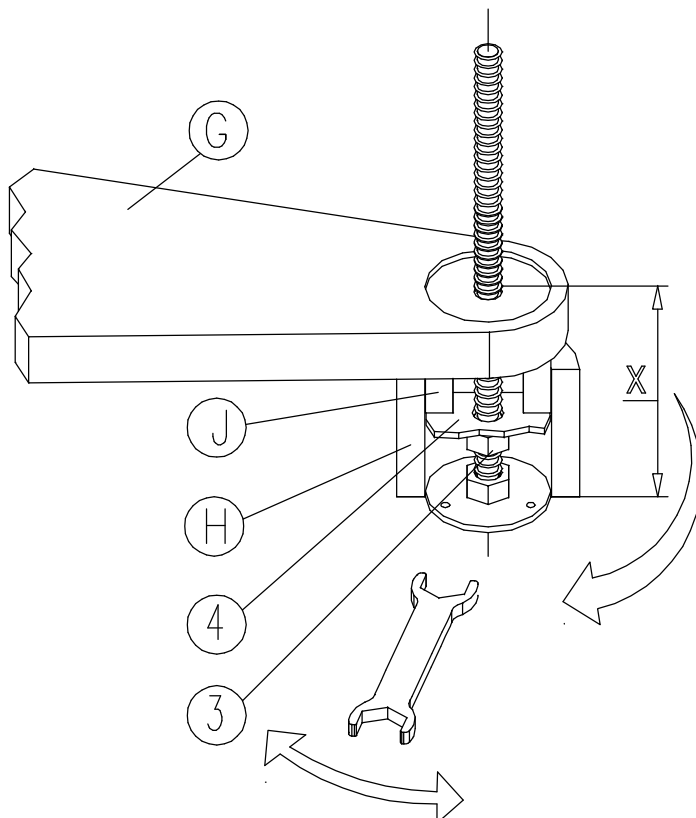


3a

S = 20.0 cm
20.5 cm
21.0 cm

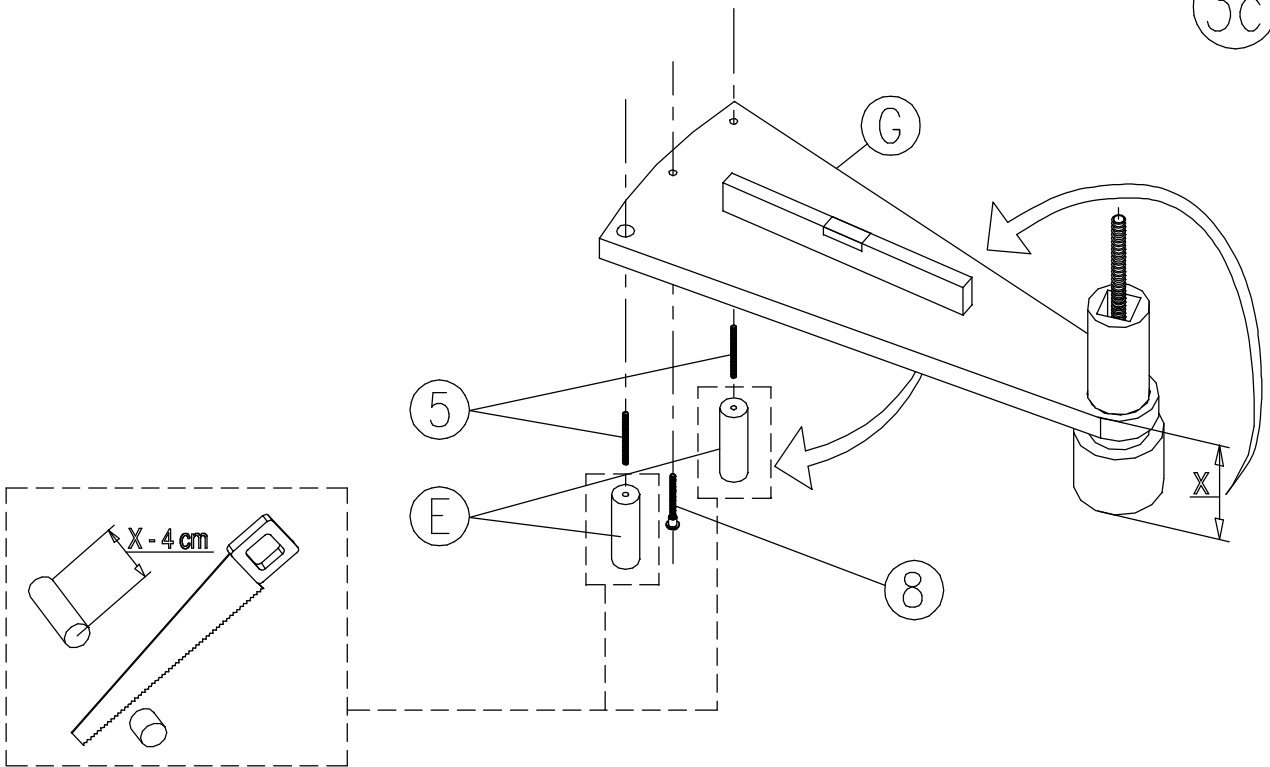


3b

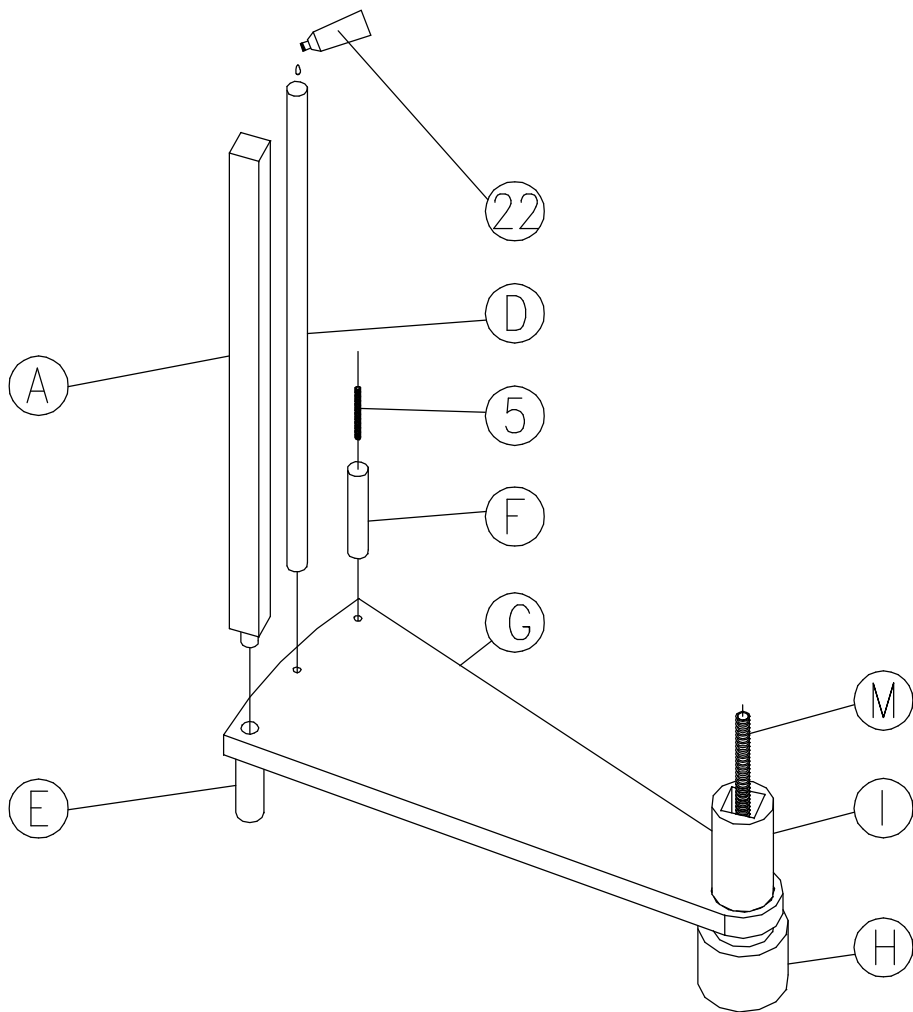


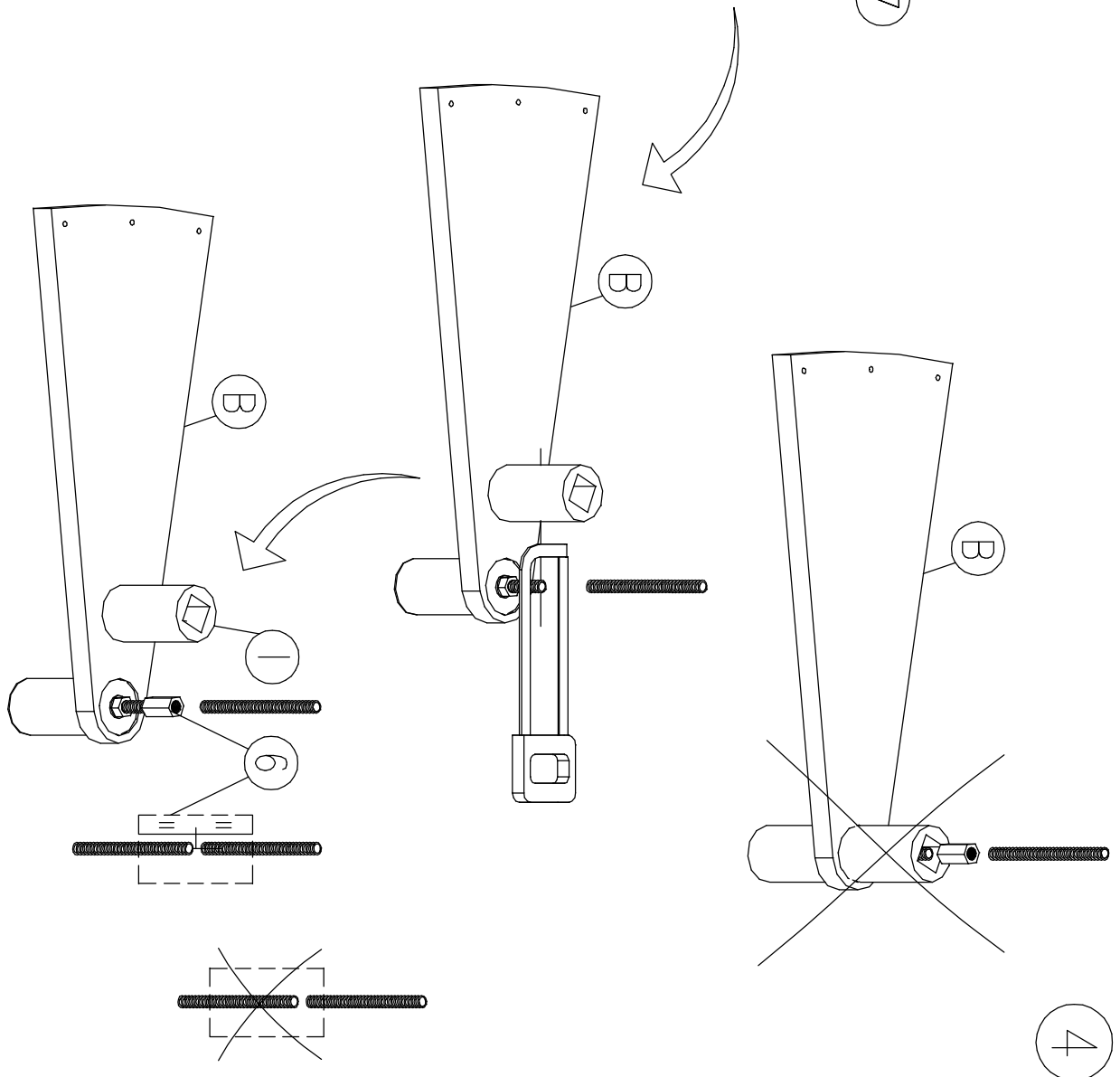
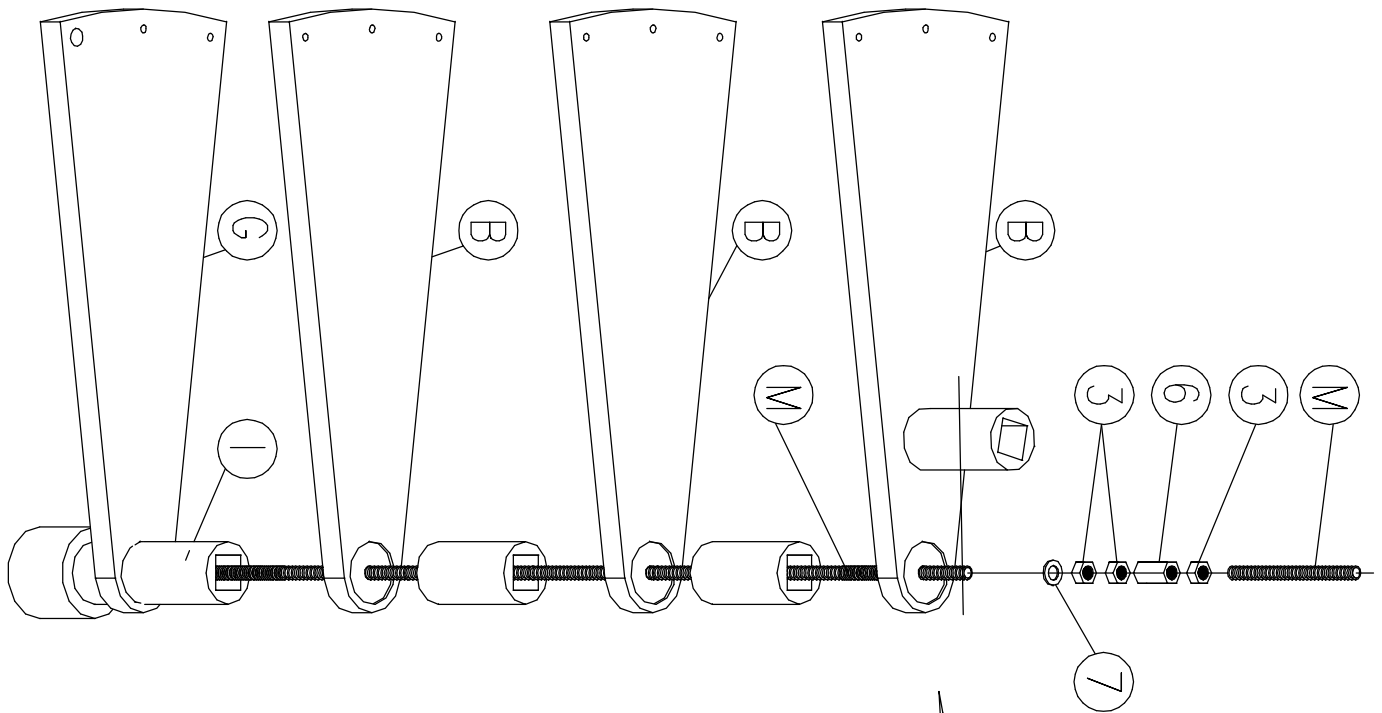
I. => X = G - 12*S
II. => X = G - 13*S

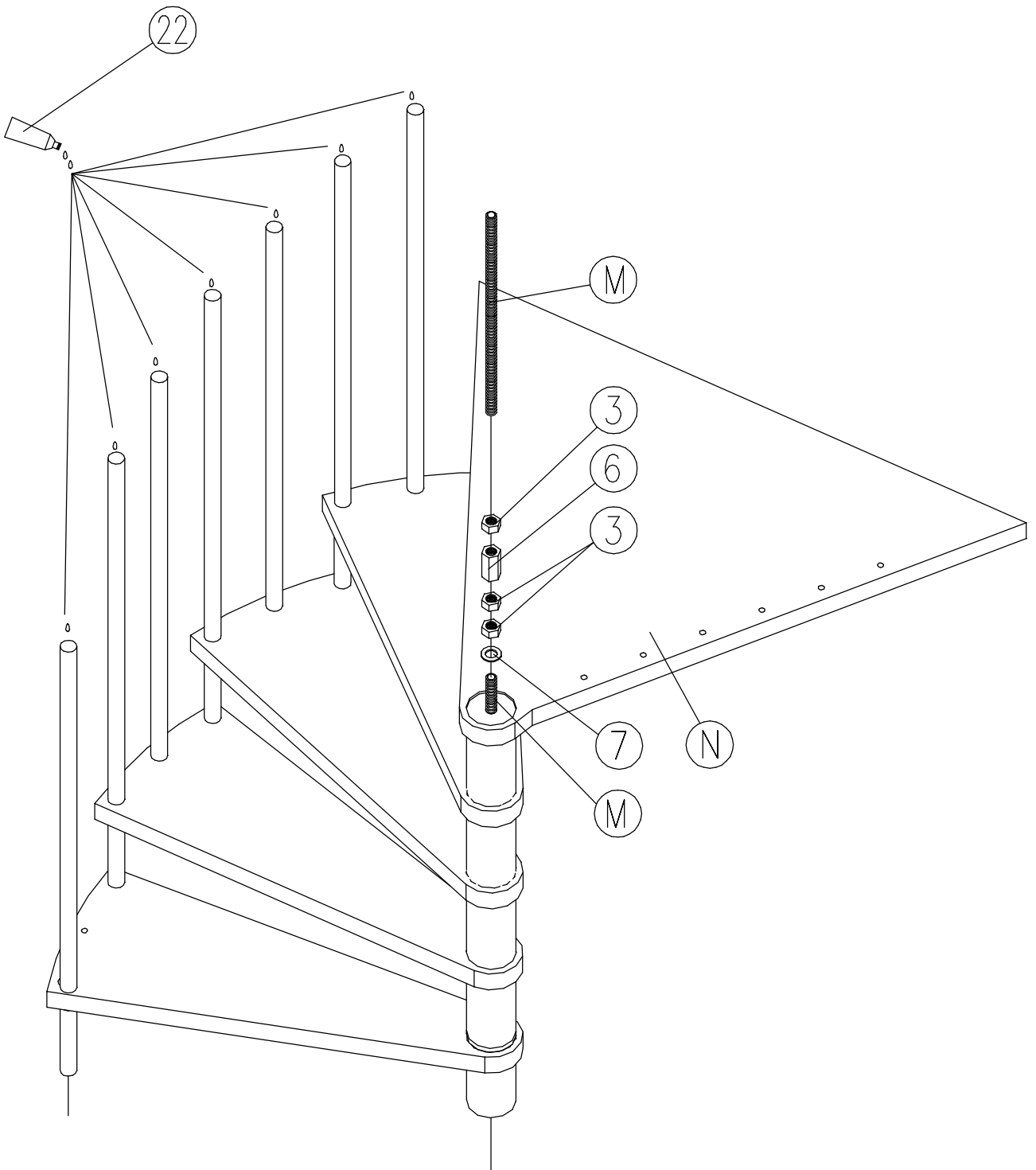
3c

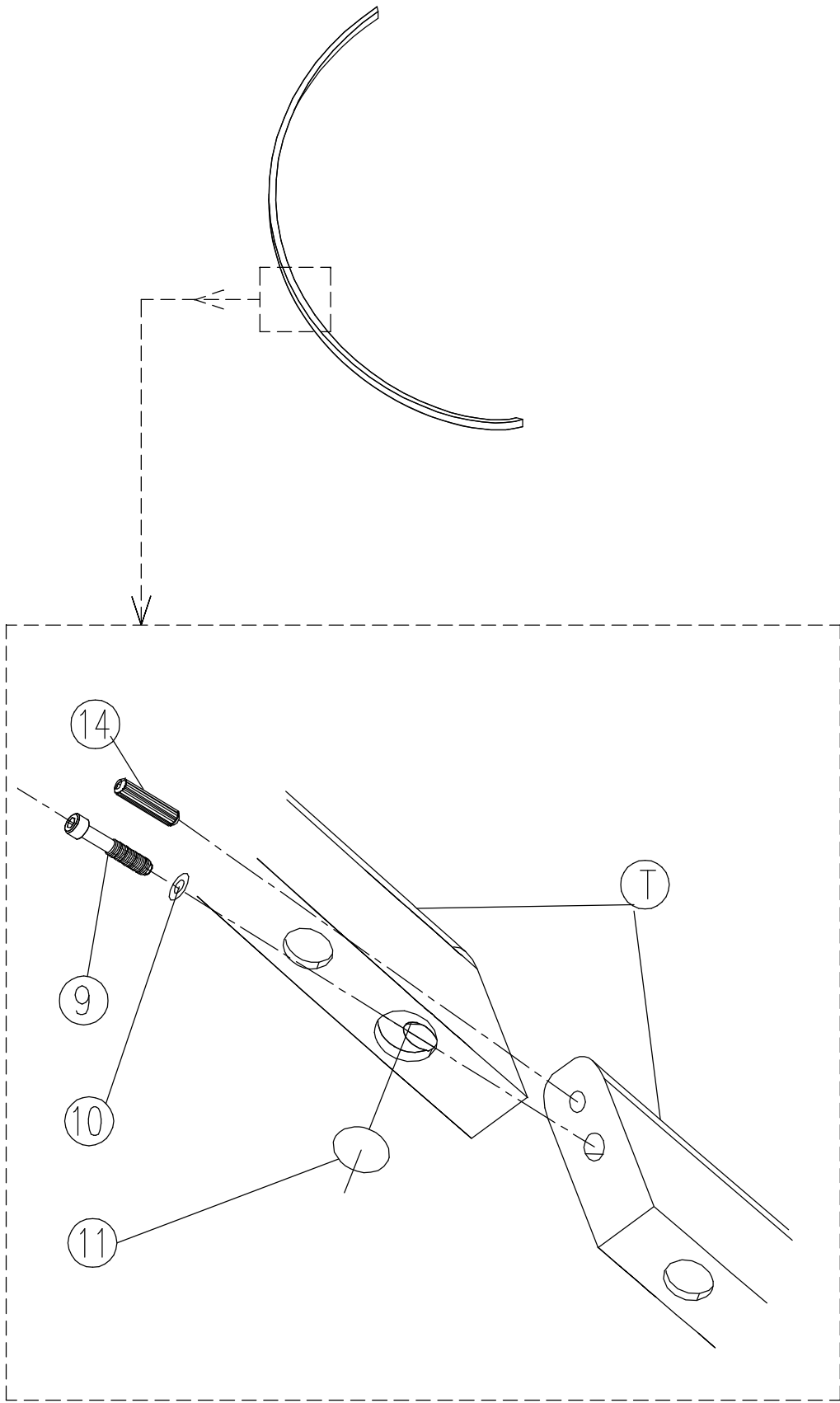


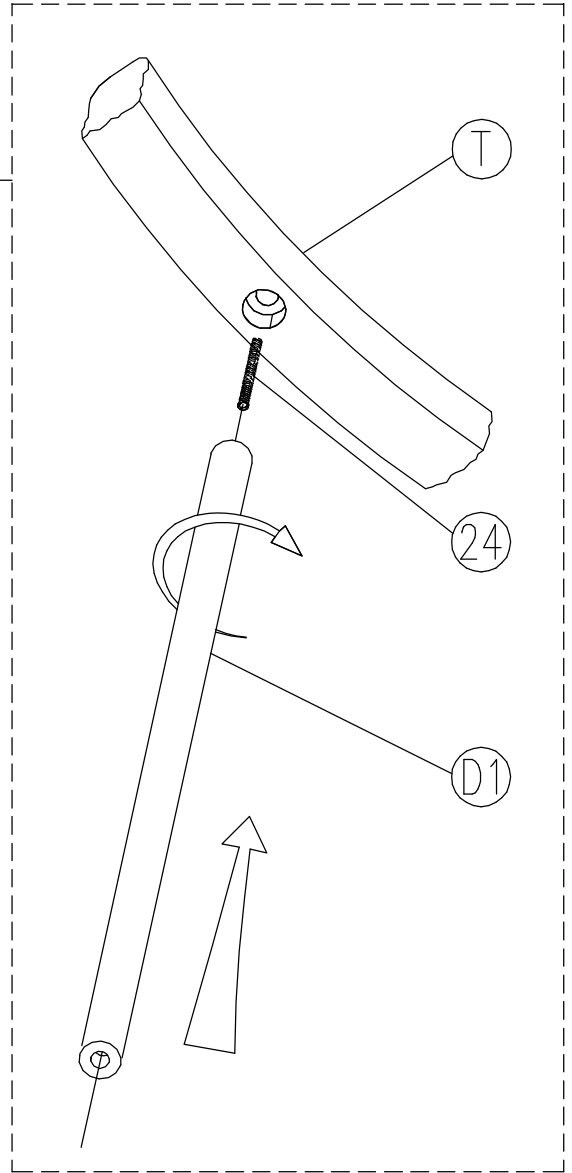
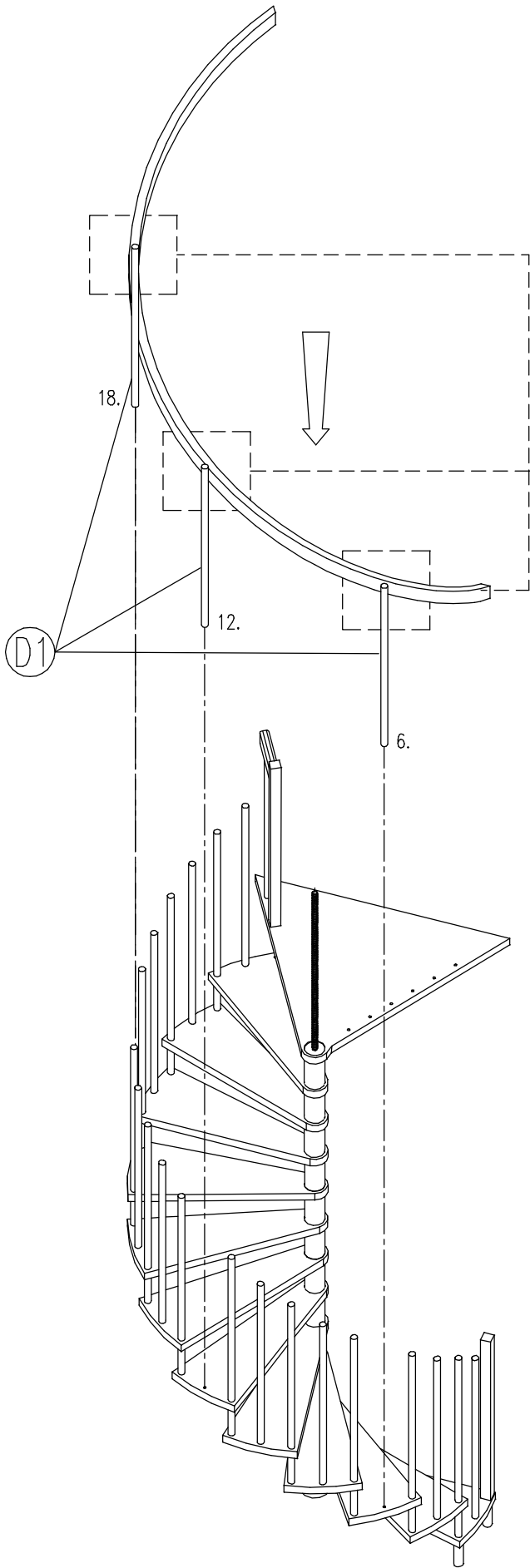
3d

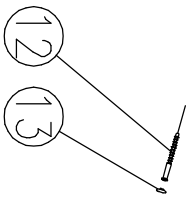
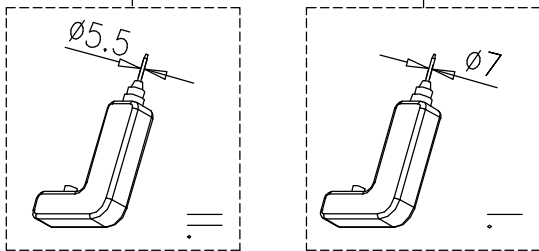
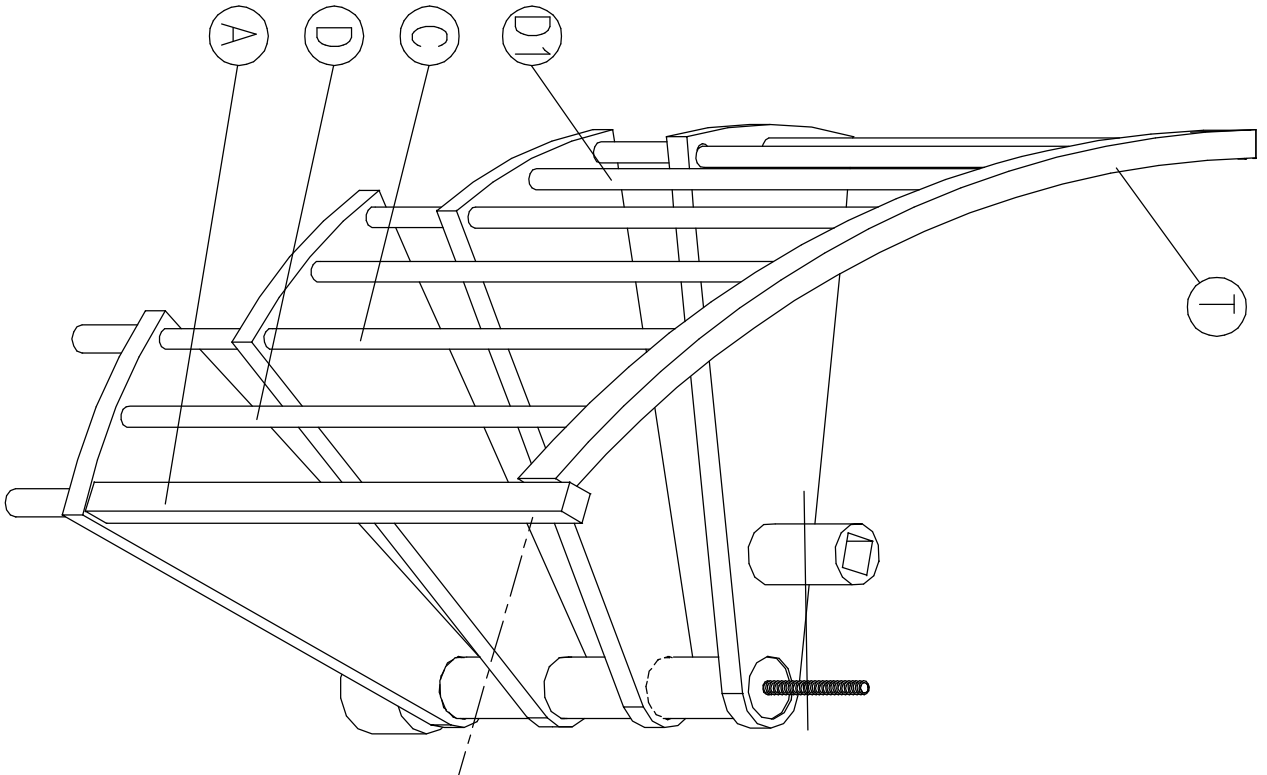




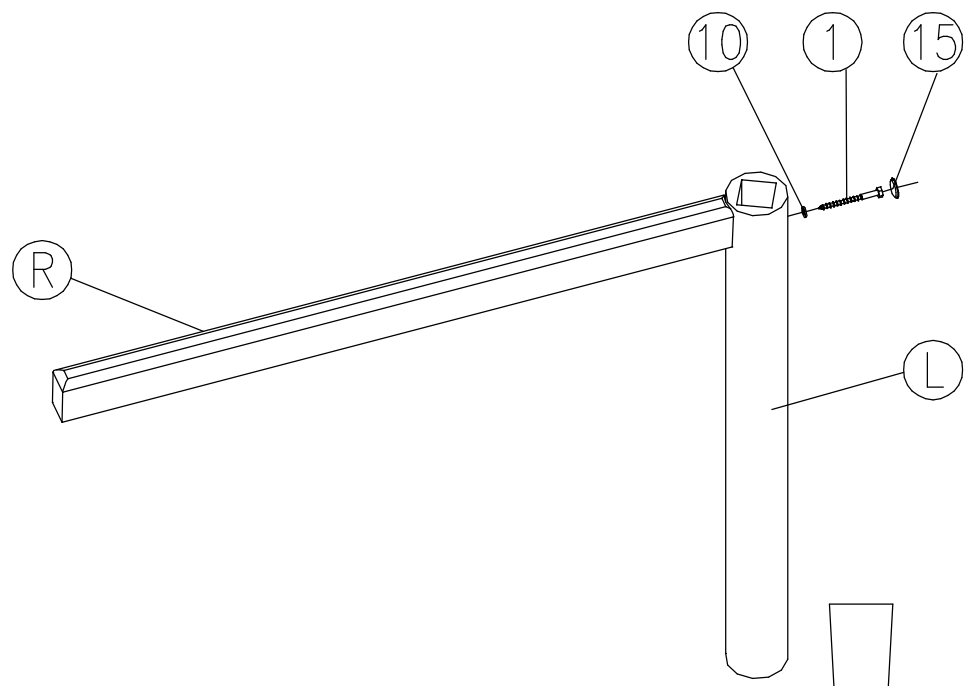




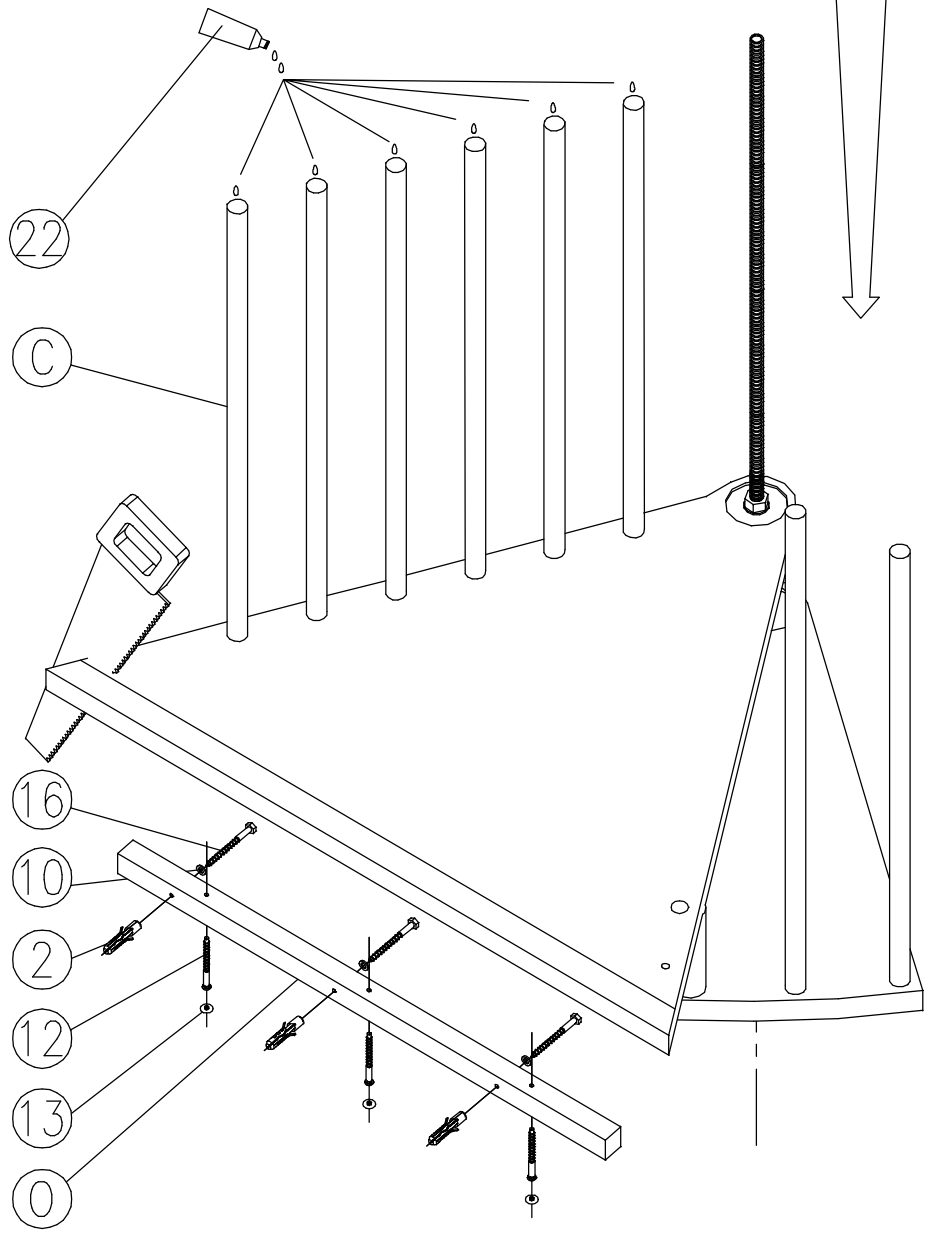


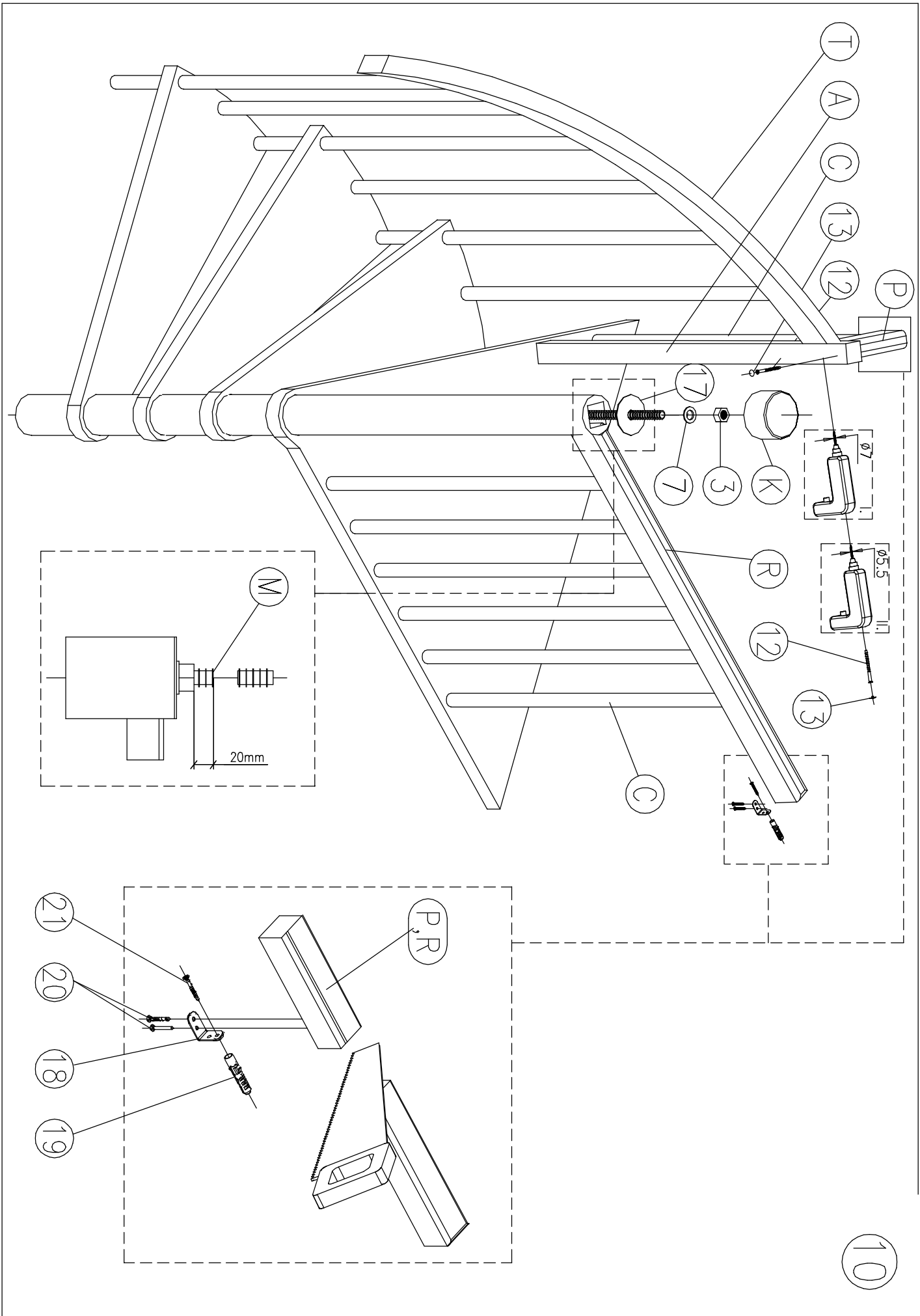


9a



9b



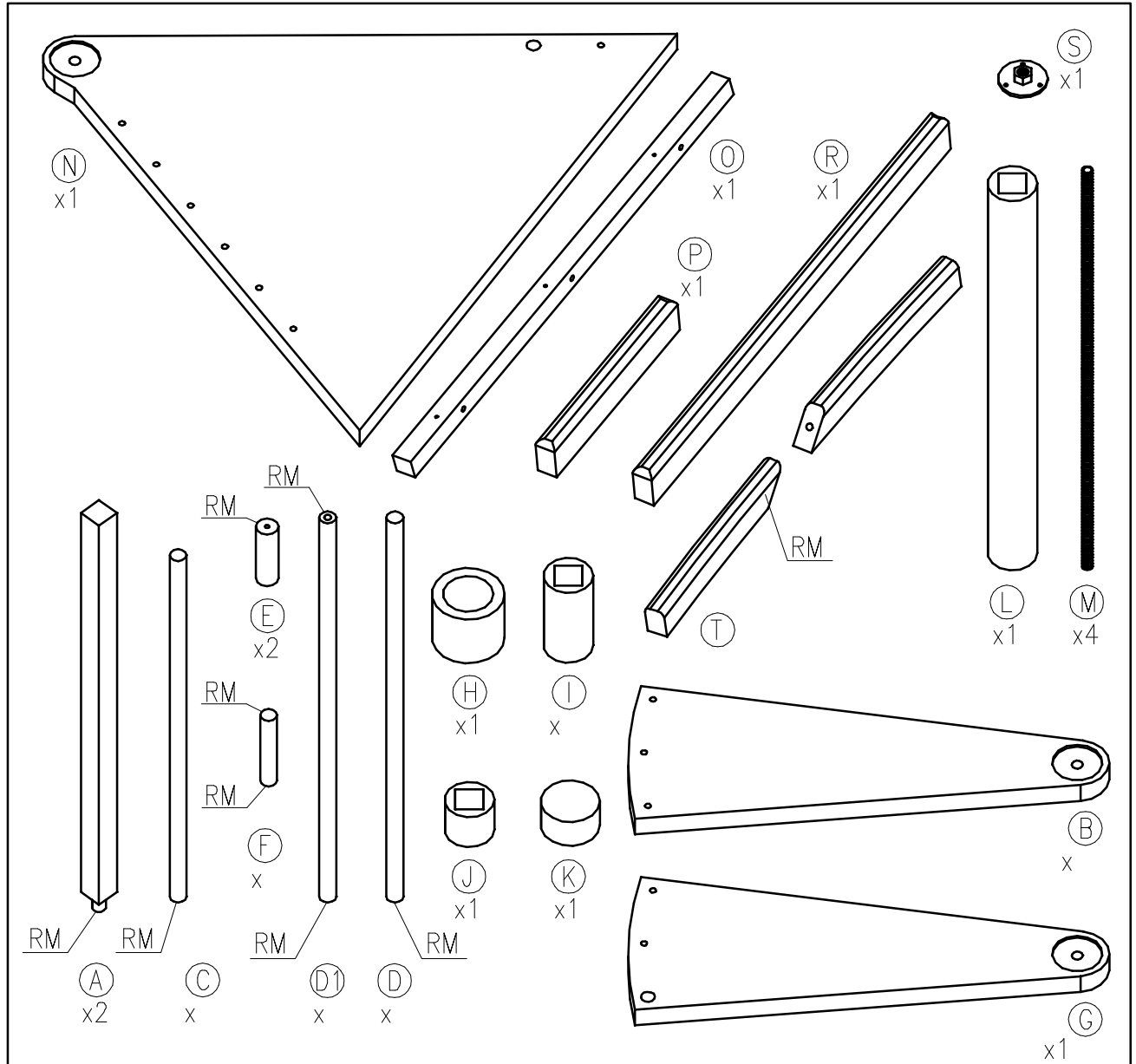

























Spindeltreppe "LUGANO"

Verhältnis Geschosshöhe- Höhe 1. Steigung

Geschosshöhe (G)	Anzahl Steigung	Steigungshöhe (S)	Steigungshöhe 1. Stufe (X)	Größe
255	13	12x20,0 cm	15,0 cm	Größe 1
256	13	12x20,0 cm	16,0 cm	
257	13	12x20,0 cm	17,0 cm	
258	13	12x20,0 cm	18,0 cm	
259	13	12x20,0 cm	19,0 cm	
260	13	12x20,0 cm	20,0 cm	
261	13	12x20,0 cm	21,0 cm	
262	13	12x20,5 cm	16,0 cm	
263	13	12x20,5 cm	17,0 cm	
264	13	12x20,5 cm	18,0 cm	
265	13	12x20,5 cm	19,0 cm	
266	13	12x20,5 cm	20,0 cm	
267	13	12x20,5 cm	21,0 cm	
268	13	12x21,0 cm	16,0 cm	
269	13	12x21,0 cm	17,0 cm	
270	13	12x21,0 cm	18,0 cm	
271	13	12x21,0 cm	19,0 cm	
272	13	12x21,0 cm	20,0 cm	
273	13	12x21,0 cm	21,0 cm	
274	13	12x21,0 cm	22,0 cm	
275	14	13x20,0 cm	15,0 cm	Größe 2
276	14	13x20,0 cm	16,0 cm	
277	14	13x20,0 cm	17,0 cm	
278	14	13x20,0 cm	18,0 cm	
279	14	13x20,0 cm	19,0 cm	
280	14	13x20,0 cm	20,0 cm	
281	14	13x20,0 cm	21,0 cm	
282	14	13x20,5 cm	15,5 cm	
283	14	13x20,5 cm	16,5 cm	
284	14	13x20,5 cm	17,5 cm	
285	14	13x20,5 cm	18,5 cm	
286	14	13x20,5 cm	19,5 cm	
287	14	13x20,5 cm	20,5 cm	
288	14	13x20,5 cm	21,5 cm	
289	14	13x21,0 cm	16,0 cm	
290	14	13x21,0 cm	17,0 cm	
291	14	13x21,0 cm	18,0 cm	
292	14	13x21,0 cm	19,0 cm	
293	14	13x21,0 cm	20,0 cm	
294	14	13x21,0 cm	21,0 cm	
295	14	13x21,0 cm	22,0 cm	

Stückliste
Packaging Controlsheet



Verpackungsdatum: Date of Packaging:	①	②	③	④	⑤	⑥	⑦	⑧
	 x4	 x6	 x9	 x1	 x	 x3	 x4	 x
Kontrollierer: Controller:	⑨	⑩	⑪	⑫	⑬	⑭	⑮	⑯
	 x1	 x5	 x1	 x6	 x6	 x1	 x1	 x3
	⑰	⑱	⑲	⑳	㉑	㉒	㉓	㉔
	 x1	 x2	 x2	 x4	 x2	 x1		 x3